

# 1002 Series Pressure Regulator

for Water Service

PRESSURE REGULATORS



- ▶ Bronze or Cast-Iron Construction
- ▶ Stainless Steel Seat
- ▶ 1/2" – 2 1/2" Sizes

1002 shown

The Trerice **1002 Series** Pressure Regulator is a high capacity pressure reducing valve for water service. The 1002 has a broad seat opening and is capable of supplying large volumes at reduced pressures. This regulator is intended for use in a variety of commercial, institutional and industrial applications. It features a bronze or cast-iron body and a stainless steel seat.

For optimal performance, the service conditions (medium, flow, temperature, inlet and outlet pressures) of the application must be considered when selecting a valve. Please refer to the Valve Selection Section of this catalog. Improper application may cause failure of the valve, resulting in possible personal injury or property damage.

## Specifications

### Model

1002

**Body** 1/2" to 2": Bronze  
2 1/2": Cast-Iron

**Diaphragm** Nitril

**Trim** Valve Disc: Nitril  
Seat: Stainless steel

### Maximum Inlet Pressure

300 psi

### Operating Temperature

Maximum: 160° F (71°C)

## HOW TO ORDER

Sample Order Number: **1002 12 B**

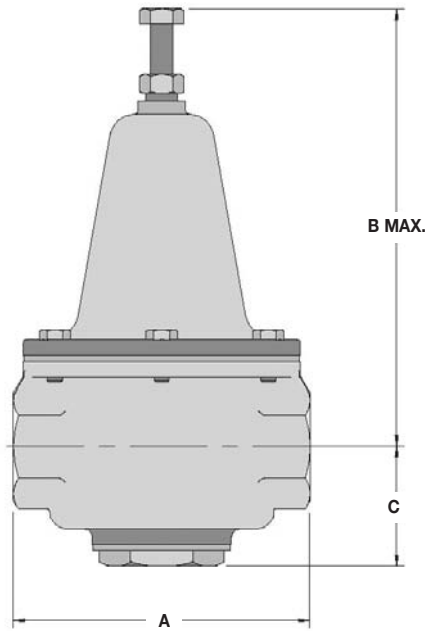
Model	Connection Size (NPT)	Reduced Pressure Range
1002	04 1/2	<b>A</b> 10 to 35 psi <b>B</b> 25 to 75 psi <b>C</b> High Pressure Range 50 to 145 psi (1/2, 3/4, 1 NPT only) 50 to 120 psi (1 1/4 NPT only) 50 to 95 psi (1 1/2, 2, 2 1/2 NPT only)
	06 3/4	
	08 1	
	10 1 1/4	
	12 1 1/2	
	16 2	
	20 2 1/2	



# 1002 Series Pressure Regulator

PRESSURE REGULATORS

All dimensions are nominal. Dimensions in [ ] are in millimeters



Size (NPT)	A	B	C	Approximate Shipping Weight
1/2	4.3 [109]	6.3 [160]	2.0 [51]	5.3 lbs [2.41 kg]
3/4	4.3 [109]	6.3 [160]	2.0 [51]	5.3 lbs [2.41 kg]
1	4.8 [122]	6.5 [165]	2.1 [53]	7.9 lbs [3.59 kg]
1 1/4	5.0 [127]	6.8 [173]	2.8 [71]	9.6 lbs [4.36 kg]
1 1/2	6.8 [173]	9.9 [251]	2.8 [71]	20 lbs [9.1 kg]
2	8.0 [203]	10.8 [274]	3.3 [84]	33 lbs [15 kg]
2 1/2	9.0 [229]	10.8 [274]	3.3 [84]	35 lbs [16 kg]

## Valve Capacities

### Water in Gallons per Minute (GPM)

Pressure Drop (psig)	Valve Size (NPT)						
	1/2	3/4	1	1 1/4	1 1/2	2	2 1/2
1	2	3	3	4	5	8	12
2	4	5	5	6	13	20	24
3	5	7	8	10	22	31	39
4	7	9	10	15	30	42	50
5	9	11	13	17	38	50	60
6	10	13	15	20	48	61	70
8	13	18	20	34	65	84	91
10	15	20	25	45	78	100	108
12	18	24	30	57	90	116	122
14	20	28	35	67	102	132	138
16	21	31	39	73	113	142	149
18	22	34	45	81	122	155	163
20	23	37	48	88	132	161	171