

# CAST IRON

# Valve Body Selection (for 940 Series Heavy Duty Control Valve)

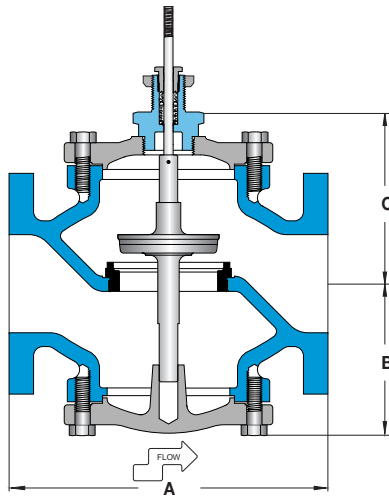
All dimensions are nominal. Dimensions in [ ] are in millimeters.



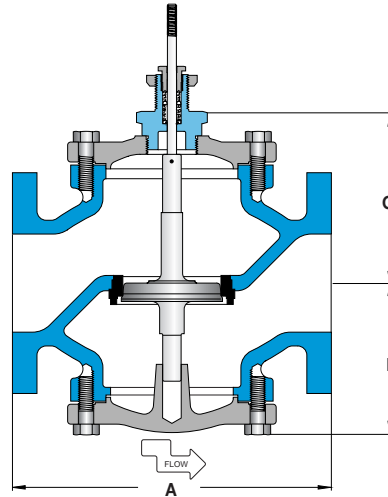
Single Seat • 2 1/2" – 8"

CONTROL VALVES

**Stem In-to-Close (normally open)**



**Stem In-to-Open (normally closed)**



| Size   | Class 125  |           |           | Class 250  |           |           |
|--------|------------|-----------|-----------|------------|-----------|-----------|
|        | A          | B         | C         | A          | B         | C         |
| 2 1/2" | 9.0 [229]  | 4.9 [124] | 5.5 [140] | 9.6 [244]  | 4.9 [124] | 5.5 [140] |
| 3"     | 10.0 [254] | 5.5 [140] | 6.9 [175] | 10.8 [274] | 5.5 [140] | 6.9 [175] |
| 4"     | 13.0 [330] | 6.4 [163] | 7.1 [180] | 13.6 [345] | 6.4 [163] | 7.1 [180] |
| 5"     | 15.8 [401] | 5.8 [147] | 7.8 [198] | 16.6 [422] | 5.8 [147] | 7.8 [198] |
| 6"     | 17.8 [452] | 6.5 [165] | 8.4 [213] | 18.6 [472] | 6.5 [165] | 8.4 [213] |
| 8"     | 16.3 [414] | 8.1 [206] | 8.6 [218] | 16.3 [414] | 8.1 [206] | 8.6 [218] |

## Specifications

| Body Material | Trim Material   | Trim Style       | Connection                             | Pressure & Temperature Rating                      |
|---------------|-----------------|------------------|--|--|
| Cast-iron     | Stainless steel | Equal percentage | Class 125 flanged<br>Class 250 flanged | 125 PSI @ 350°F (176°C)<br>250 PSI @ 400°F (204°C) |

## Valve Body Selection

| In-To-Close (Normally Open) |           |        |                | Maximum Close-Off Pressure (psid) |                   |      |                   | Approximate Shipping Wt. |
|-----------------------------|-----------|--------|----------------|-----------------------------------|-------------------|------|-------------------|--------------------------|
| Valve Body Number           |           | Size   | C <sub>v</sub> | Actuator                          |                   |      |                   |                          |
| Class 125                   | Class 250 |        |                | 940B                              | 940B w/Positioner | 940C | 940C w/Positioner |                          |
| K71                         | L71       | 2 1/2" | 65             | 50                                | 142               | 91   | 231               | 50 lbs [23 kg]           |
| K76                         | L76       | 3"     | 90             | 33                                | 96                | 61   | 158               | 95 lbs [43 kg]           |
| K81                         | L81       | 4"     | 170            | 16                                | 52                | 32   | 87                | 130 lbs [59 kg]          |
| K86                         | L86       | 5"     | 280            | 9                                 | 31                | 19   | 54                | 150 lbs [68 kg]          |
| K91                         | L91       | 6"     | 360            | 5                                 | 21                | 12   | 36                | 175 lbs [79 kg]          |
| K96                         | L96       | 8"     | 450            | x                                 | x                 | 11   | 35                | 300 lbs [136 kg]         |

| In-To-Open (Normally Closed) |           |        |                | Maximum Close-Off Pressure (psid) |                   |      |                   | Approximate Shipping Wt. |
|------------------------------|-----------|--------|----------------|-----------------------------------|-------------------|------|-------------------|--------------------------|
| Valve Body Number            |           | Size   | C <sub>v</sub> | Actuator                          |                   |      |                   |                          |
| Class 125                    | Class 250 |        |                | 940B                              | 940B w/Positioner | 940C | 940C w/Positioner |                          |
| K72                          | L72       | 2 1/2" | 65             | x                                 | 111               | 44   | 185               | 50 lbs [23 kg]           |
| K77                          | L77       | 3"     | 90             | x                                 | 75                | 28   | 126               | 95 lbs [43 kg]           |
| K82                          | L82       | 4"     | 170            | x                                 | 40                | 13   | 68                | 130 lbs [59 kg]          |
| K87                          | L87       | 5"     | 280            | x                                 | 24                | 7    | 42                | 150 lbs [68 kg]          |
| K92                          | L92       | 6"     | 360            | x                                 | 15                | 4    | 28                | 175 lbs [79 kg]          |
| K97                          | L97       | 8"     | 450            | x                                 | x                 | 3    | 27                | 300 lbs [136kg]          |