



150FC SERIES CAST STEEL AND STAINLESS STEEL FLANGED SILENT CHECK VALVES

Pressures to 285 PSIG (19.7 barg)

Temperatures to 400°F (204°C)

- ASME Class 150 rated check valve
- Designed to reduce surge and water hammer
- Silent, non-slam closure
- Center guided at both ends to prevent binding and cocking
- Flanged body style
- Stainless Steel Metal to Metal Seats

APPLICATIONS

- Liquid Service
- Process Industry
- Power Industry
- Chemical Industry
- Oil & Gas
- Pulp & Paper
- Metal & Mining
- Water & Waste

MODELS

- 150FCCT - Cast Steel Body, Stainless Steel Seat and Disc
- 150FCTT - Stainless Steel Body, Stainless Steel Seat and Disc

OPTIONS *(Consult factory)*

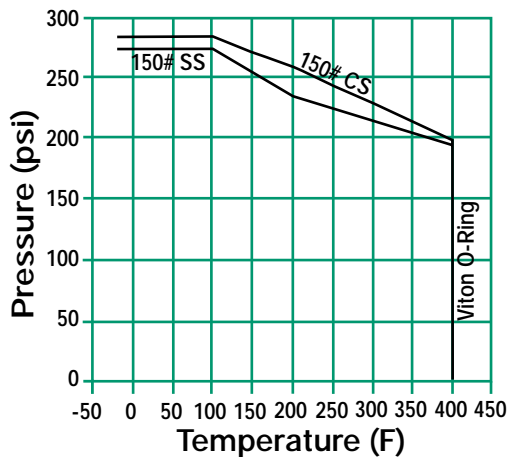
- Other Spring Material
- Heavier or Lighter Springs

APPLICABLE CODES

- ASME Sec. VIII and B16.34 Bodies
- API 598

Canadian Registration - OC10274.5C

**PRESSURE/TEMPERATURE CHART
ASME 16.34**



FLANGED SILENT
CHECK VALVES

150FC Series Ordering Code

Inlet Size				Dash	Model								Seat	Dash	Spring
0	4	0	0	-	1	5	0	F	C	T	T	M	-	T	
1	2	3	4	5	6	7	8	9	10	11	12	13	14	15	

Inlet Size* - Position 1 - 4
0200 - 2"
0250 - 2½"
0300 - 3"
0400 - 4"
0500 - 5"
0600 - 6"
0800 - 8"
1000 - 10"
1200 - 12"
1400 - 14"
1600 - 16"

Dash - Position 5
Model - Position 6 - 12 150FCCT - CS Body, SS Disc 150FCTT - SS Body, SS Disc
Seat - Position 13 M - Metal
Dash - Position 14
Spring - Position 15 T - Stainless Steel

* Cast Steel body 2" - 16"
Stainless Steel body 2" - 12"

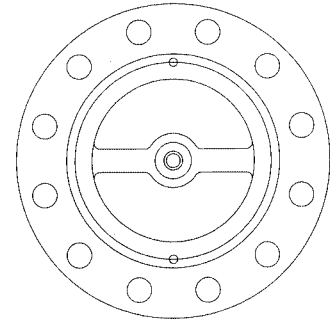


150FC SERIES

CAST STEEL AND STAINLESS STEEL FLANGED SILENT CHECK VALVES

SPECIFICATION

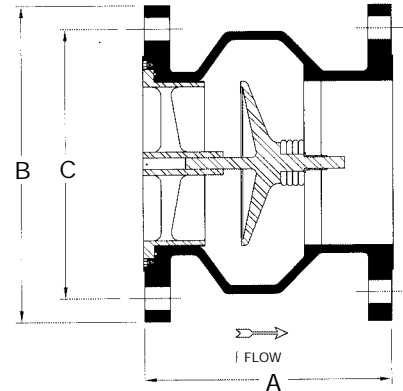
Check Valve shall be single disc design with Cast Steel or Stainless Steel Flanged body style designed to ASME Sec. VIII and ASME B16.34. The check valve shall have a metal to metal seat with Stainless Steel seat and disc. The check valve shall be ASME Class 150 rated. The spring shall be 316SS. The check valve shall be SSI 150FC Cast Steel or Stainless Steel Series.



FRONT VIEW

MATERIALS OF CONSTRUCTION

Part	Cast Steel	Stainless Steel
Body	A216 WCB	A351 CF8M
Discs	A351 CF8M	A351 CF8M
Seat	A351 CF8M	A351 CF8M
Spring	316SS	316SS
O-Ring	Viton	Viton



DIMENSIONS inches (mm) AND WEIGHTS pounds (kg)

Size	A	B	C	Weight
2 (50)	6 ¹ / ₄ (159)	6 (152)	4 ³ / ₄ (121)	15 (6.6)
2 ¹ / ₂ (65)	7 (178)	7 (178)	5 ¹ / ₂ (140)	21 (9.3)
3 (80)	7 ¹ / ₂ (191)	7 ¹ / ₂ (191)	6 (153)	26 (11.5)
4 (100)	8 ¹ / ₂ (216)	9 (229)	7 ¹ / ₂ (191)	48 (21.3)
5 (125)	9 ¹ / ₂ (242)	10 (254)	8 ¹ / ₂ (216)	61 (27.3)
6 (150)	10 ¹ / ₂ (267)	11 (280)	9 ¹ / ₂ (241)	76 (34.1)
8 (200)	12 (305)	13 ¹ / ₂ (343)	11 ³ / ₄ (299)	129 (58.4)
10 (250)	14 (356)	16 (406)	14 ¹ / ₄ (362)	183 (82.8)
12 (300)	18 (457)	19 (483)	17 (431)	344 (156)
14 * (350)	19 ¹ / ₂ (495)	21 (533)	18 ³ / ₄ (477)	433 (196)
16 * (400)	21 (533)	23 ¹ / ₂ (597)	21 ¹ / ₄ (540)	607 (275)

* 14" and 16" only available in Cast Steel body, contact factory for Stainless Body availability.

Dimensions are subject to change.
Consult factory for certified drawings when required.

Connections :
2" to 16" Cast Steel Body Flanged RF
2" to 12" Stainless Steel Body Flanged RF

Seats: All sizes - Stainless Steel

Cracking Pressure:
Horizontal Mounting - .3 psid
Vertical Mounting - .75 to 1.25 psid

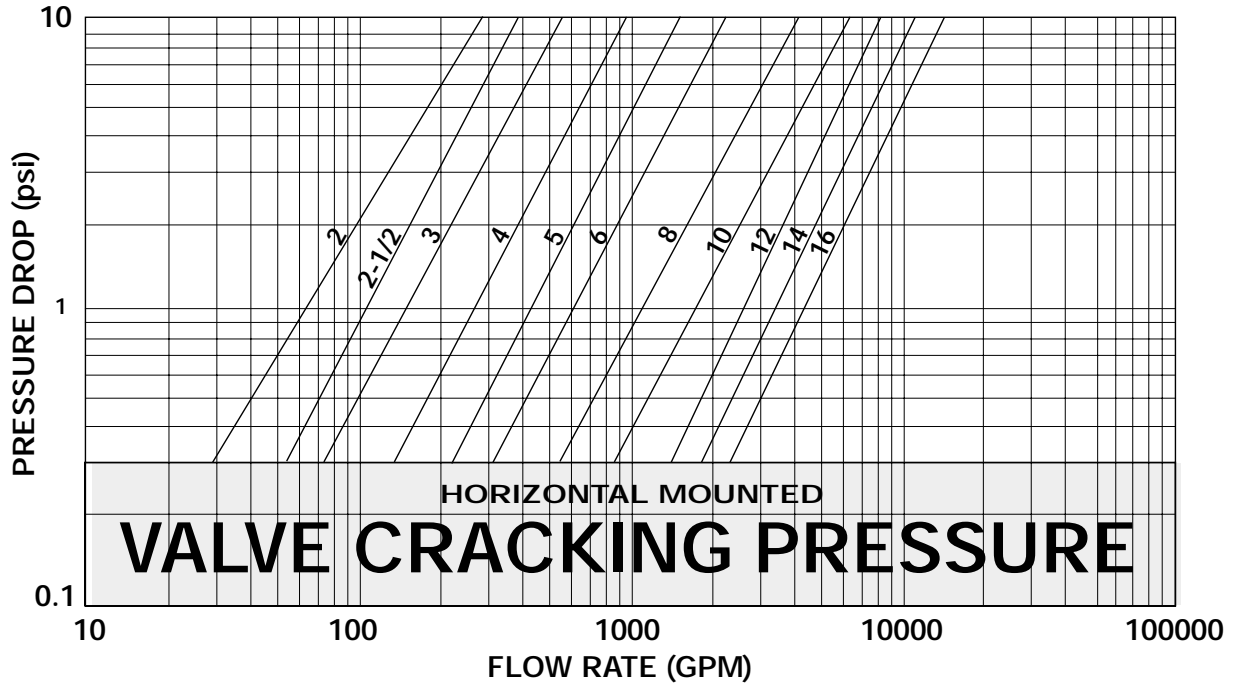
FLANGED SILENT
CHECK VALVES

150FC SERIES

CAST STEEL & STAINLESS STEEL FLANGED SILENT CHECK VALVES

PRESSURE DROP VS FLOW RATE

(Sizes 2" - 16")



- (1) Pressure drop curves are based on water flow.
- (2) Valve cracking pressure is equal to or less than 0.3 psid when mounted horizontally.
- (3) Valve cracking pressure increases to between 0.75 and 1.25 psid when installed vertically with flow upwards.

Installation Note:

1. For correct installation and maintenance please see our I&M manual.
2. Vertical installation (downward flow) – Consult factory.
3. Always use Strainers in upstream piping.
4. Not recommended for Steam Service

Cv Values

Size (inches)	2	2½	3	4	5	6	8	10	12	14	16
Min Cv (@.3 PSID)	53	99	135	246	402	566	1004	1579	2556	3286	4199
Cv (@1 PSID)	63	105	148	265	430	605	1105	1700	2575	3350	4300
Max Cv (@10 PSID)	89	120	174	300	474	696	1297	1992	2593	3479	4427

FLANGED SILENT CHECK VALVES

