

SHARPE[®] VALVES



**FLUSH BOTTOM
TANK VALVES**

SHARPE® FLUSH BOTTOM TANK VALVES

For Pharmaceutical, Biotech, Cosmetic, and Chemical Applications

STANDARD FEATURES

Flush Pad Made from Solid Bar

Angle Engineered Design

Variety of Port Configurations

Fully Encapsulated

Integral Mounting Pad

Lockable Handle

Variety of End Combinations

Choice of Seats & Seals

Traceability

ADVANTAGES

Machined from 316L stainless steel. Eliminates porosity and flaws commonly associated with cast materials. Increases resistance to corrosion.

Allows ball to extend into tank resulting in reduced dead space where media may accumulate.

Valves and their corresponding pads are available in full and standard port pipe dimensions or full port tube dimensions, assuring proper sizing of piping system.

Allows pad to be directly welded to tank without disassembly of valve.

Ideal for actuation. Centering lip feature assures precise alignment of bracket stem and coupler. Allows in-line maintenance of valve without having to remove actuator.

All Sharpe® manual Flush Bottom Valves meet OSHA standards with locking device. Restricts valves from being opened or closed accidentally.

A wide choice of optional end connections are available, including but not limited to, TriClamp**, Threaded, Socket Weld, Butt Weld, Grooved, and 150# and 300# flanged.

A wide variety of seat and seal materials are readily available for the most demanding applications, including Buna, Delrin, Nova*, Peek, EPDM, Viton, TFE, RTFE, Graphoil, and UHMWPE. Cavity fillers are also available in Teflon***.

Heat numbers are provided on valve bodies, pads and ends. CMTR's (certified mill test reports) are available upon request.

AVAILABLE OPTIONS

Self Draining

Special seats and balls can be supplied to allow the valve to completely drain in the open or closed position.

Purge Ports

Valves can be supplied with purge connections for SIP (steam in place) or CIP (clean in place) applications.

Polishing

Valves can be manually and/or electronically polished (I.D. and/or O.D.) from 180 to 320 grit.

Automation

Valves can be supplied with either pneumatic or electric actuation.

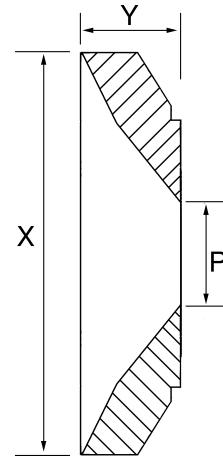
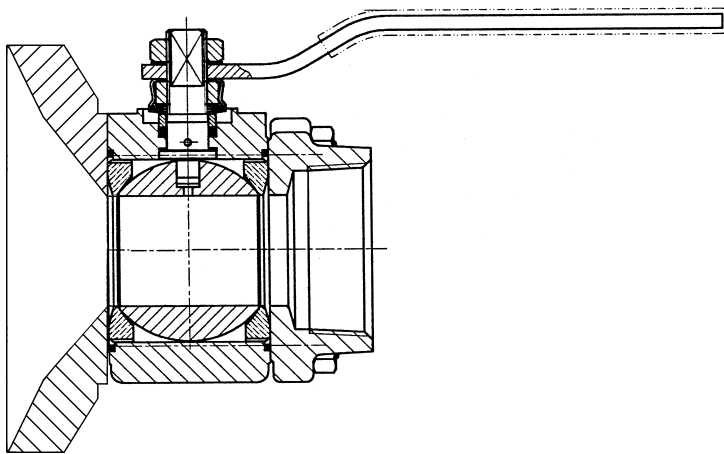
Sharpe® Flush Bottom Tank Valves meet ASME Boiler and Pressure Vessel Code Section 8, Tank Flange Class 150 and 300.

* Carbon and Graphite Filled Teflon®

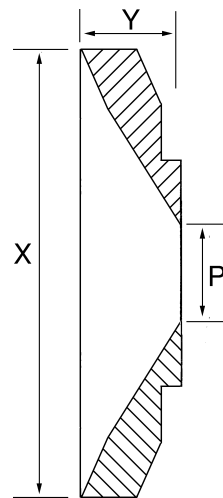
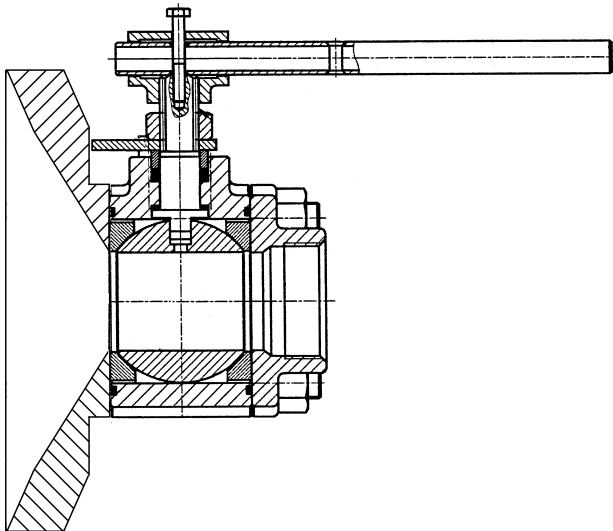
** Tri Clamp® is a registered trademark of Tri Clover

*** Teflon® and Viton® are registered trademarks of E.I. DuPont

VALVE DIMENSIONS

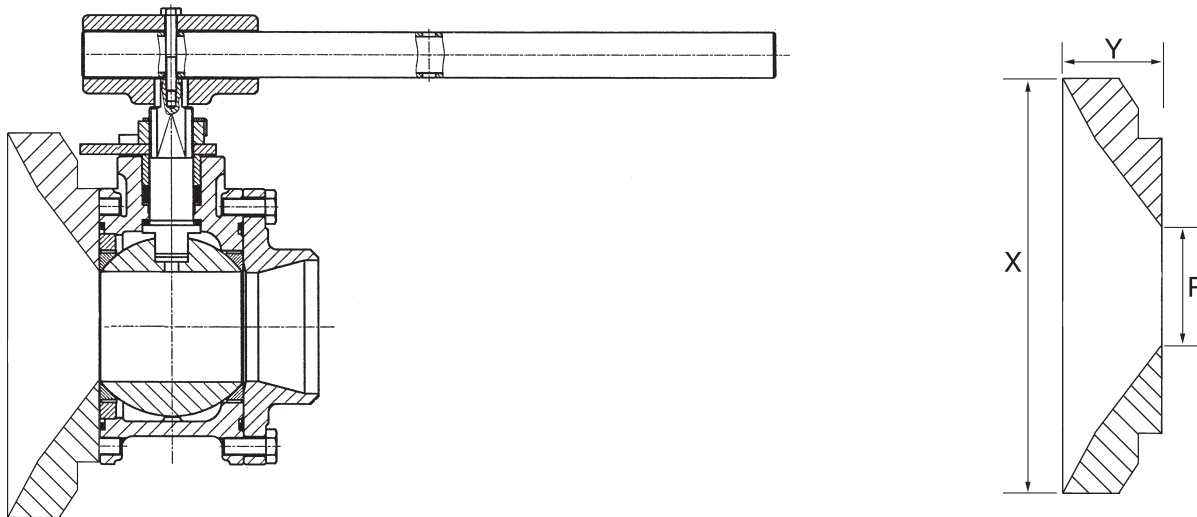


SERIES 84				SERIES 88				SERIES 99			
SIZE	X	Y	P	SIZE	X	Y	P	SIZE	X	Y	P
1"	3.74	0.79	0.75	1"	3.74	0.79	0.87	1"	3.74	0.79	1.00
1-1/4"	3.74	0.79	1.00	1-1/4"	3.74	0.79	1.12	1-1/4"	5.50	1.10	1.25
1-1/2"	5.50	1.10	1.25	1-1/2"	5.50	1.10	1.37	1-1/2"	5.50	1.10	1.50
2"	5.50	1.10	1.50	2"	5.50	1.10	1.87				



SERIES 84				SERIES 88				SERIES 99			
SIZE	X	Y	P	SIZE	X	Y	P	SIZE	X	Y	P
2-1/2"	7.00	1.34	2.00	2-1/2"	7.00	1.34	2.37	2"	7.00	1.34	2.00

VALVE DIMENSIONS

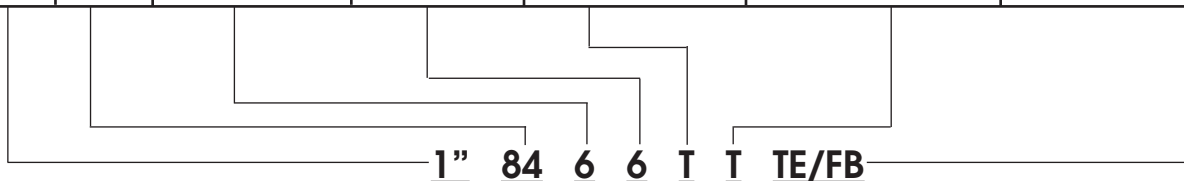


SERIES 84				SERIES 88				SERIES 99			
SIZE	X	Y	P	SIZE	X	Y	P	SIZE	X	Y	P
3"	10.00	1.69	2.50	3"	10.00	1.69	2.87	2-1/2"	10.00	1.69	2.50
4"	11.50	1.93	3.00	4"	11.50	1.93	3.83	3"	11.50	1.93	3.00

For all other dimensions, see cut sheet for Series 84/88/99, as appropriate.

HOW TO ORDER

VALVE SIZE	VALVE SERIES	BODY & ENDS	BALL & STEM	SEAT	SEAL	ENDS
1"	84 or	6 = Stainless Steel	6 = 316 S/S	T = Teflon®	B = Buna	TE = Threaded Ends (NPT)
1-1/4"	88 or	2 = Alloy 20	2 = Alloy 20	R = Reinforced Teflon	N = Neoprene	TEB = Threaded Ends (BSPT)
1-1/2"	99		3 = Monel	N = Nova	V = Viton®*	BW = Butt Weld Sch. 5, 10, 40, & 80
2"			5 = Hastelloy C	D = Delrin	T = Teflon®*	SW = Socket Weld
2-1/2"				U = Uhmwpe	U = Uhmwpe	CE = Clamp Ends
3"				P = Peek	G = Graphoil	FB = Flush Bottom
4"				C = Cavity Filled TFE	E = Ethylene Propylene Rubber (EPR)	



* Teflon® and Viton® are registered trademarks of E.I. DuPont.

SHARPE® VALVES
 A Division of Smith-Cooper International, LLC

Toll-Free 1-877-7SHARPE
(877) 774-2773
 Fax: (708) 562-9250
 E-Mail: info@sharpevalves.com
 www.sharpevalves.com
 1260 Garnet Drive
 Northlake, Illinois 60164 U.S.A.