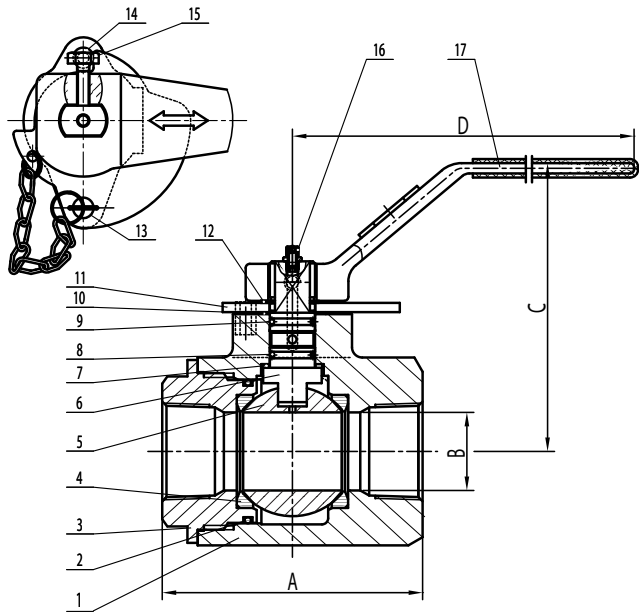


# FIG. OP54CQ6DV

## OIL PATCH CARBON STEEL BALL VALVE

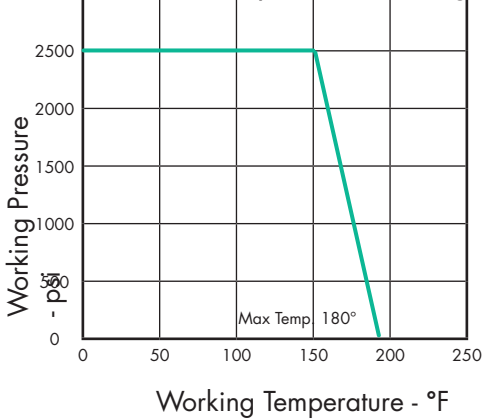


- Carbon Steel Body
- 2500 psi
- Standard Port
- 2 Piece
- Delrin Seats
- Nace MR-01-75 Compliant
- Heavy Duty Locking Device
- Blow-out Proof Stem
- Double O-Ring Stem Seal
- Grease Fitting for Constant Lubrication and Protection Against Corrosion and Moisture



No.	Part	Material
1	Body	WCB
2	Seat Ring	Viton
3	Bonnet	WCB
4	Seat	Delrin
5	Ball	AISI 420 Stainless Steel
6	Stem	AISI 420 Stainless Steel
7	Thrust Washer	PTFE
8	Stem Seal	Viton
9	Stem Seal	Viton
10	Stem Packing	PTFE
11	Locating Plate	Steel
12	Clip Spring	Spring Steel
13	Pin with Chain	Copper & Steel
14	Handle Screw	Steel
15	Stop Bolt	Steel
16	Grease Zerk	SS201
17	Handle	Ductile Iron

Pressure Temperature Ratings



Size IN	Part Number	Weight LB	A IN	B IN	C IN	D IN
2	SVOP54CQ6DV020	11.7	5.51	1.50	5.59	8.50



USA 877.774.2773  
 Fax 708.562.9221  
 www.sharpevalves.com  
 Chicago, IL  
 Los Angeles, CA  
 Atlanta, GA  
 Vancouver, WA  
 Houston, TX