

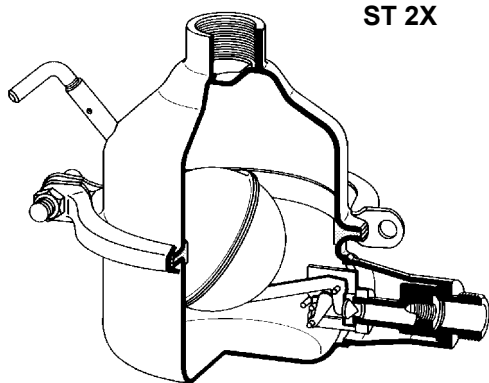
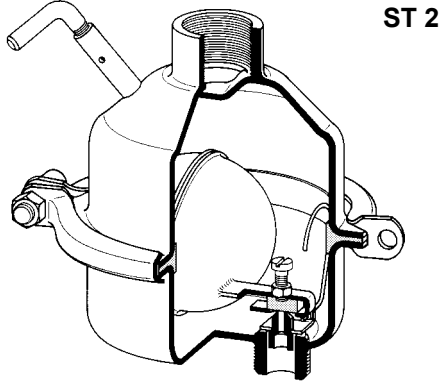
# STEAM TRAPS 2 and 2x



WIR REGELN DAS SCHON.

float actuated

Stainless Steel



## Technical Data

Connection	Trap 2	3/4" x 1/2" NPT
	Trap 2x	1" x 3/2" NPT
	Trap 2x	1" ANSI x 3/4" NPT
Operating Pressure	Trap 2	0-30, 0-90, 0-175 psi
	Trap 2x	0-190 psi
Temperature	max. 375 °F	
Flow Rate	Trap 2	max 0.4 US gall/min
	Trap 2x	max 1.4 US gall/min

## Description

The 2 and 2X condensate traps with float control and valve sealing drain condensate without loss of steam or gas. Type 2 steam traps are available in three operating pressure ranges (0 - 30 psi, 0 - 90 psi, 0 - 175 psi). Type 2X is equipped with a flow control system that is largely independent of pressure. No live steam losses. They can be used universally and are particularly suitable for aggressive condensate and in food and drug industries.

Traps 2 and 2x are completely made of deep drawn stainless steel parts 316L. All external and internal surfaces are therefore resistant against corrosion and easy to clean.

For removing water from compressed air or gases we supply a special version featuring a female NPT connection in the upper section of the body for connection of a balancing line.

Mankenberg reserves the right, to alter or improve the designs or specifications of the products described herein.

## OPTIONS

- Polished version for sanitary use
- Special designs are available to suit your specifications. Please inquire.
- Guideline for selection, installation and operation "What you should know, Notes on Safety etc." MUST be followed

Mankenberg reserves the right to change specifications without notice.

WORKING PRESSURE RANGES [psi]			
Type 2			Type 2X
0 - 30	0 - 90	0 - 175	0 - 190

Δp [psi]	FLOW RATE [US gall/min.]			
	Type 2 pressure range [psi]			Type 2X
	0 - 30	0 - 90	0 - 175	0 - 190
1.5	0.08	0.02	0.007	0.25
3	0.11	0.03	0.010	0.37
7	0.18	0.04	0.014	0.83
15	0.26	0.08	0.021	1.14
30	0.4	0.12	0.031	1.40
60	-	0.18	0.053	1.40
90	-	0.23	0.058	1.40
120	-	-	0.070	1.40
145	-	-	0.080	1.38
175	-	-	0.087	1.20
190	-	-	-	1.11

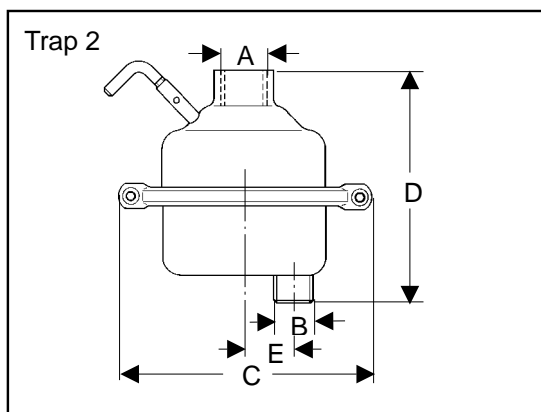
# STEAM TRAPS 2 and 2x



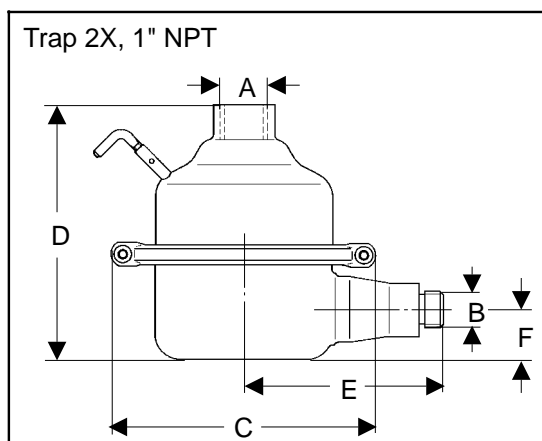
WIR REGELN DAS SCHÖN.

float actuated

Materials		
Trap	2	2X
Body	CrNiMo-steel	CrNiMo-steel
Body Seal	EPDM	EPDM
Valve	CrNiMo-steel	CrNiMo-steel
Float	CrNiMo-steel	CrNiMo-steel
Valve Seal	FFKM	metallic

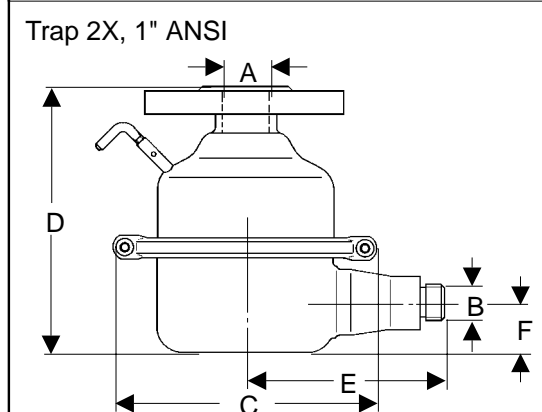


Dimensions [inch]		Weight [pound]
size		1.9
A	inlet female 3/4" NPT	
B	outlet male 1/2" NPT	
C	5.5	
D	5.3	
E	1	



Dimension [inch]		
size	inlet femal	inlet flange
A	1" NPT	1" ANSI
B	outlet male 3/4" NPT	
C	8	8
D	7.3	7.9
E	5.5	5.5
F	1.6	1.6

Weight [pound]	
inlet female 1" NPT	inlet flange 1" ANSI
5.8	7.8



Mankenberg reserves the right to change specifications without notice.  
Special designs are available to suit your specifications.

Sheet no. KE 2/3.3.011.1 - Issue 29.1.2001