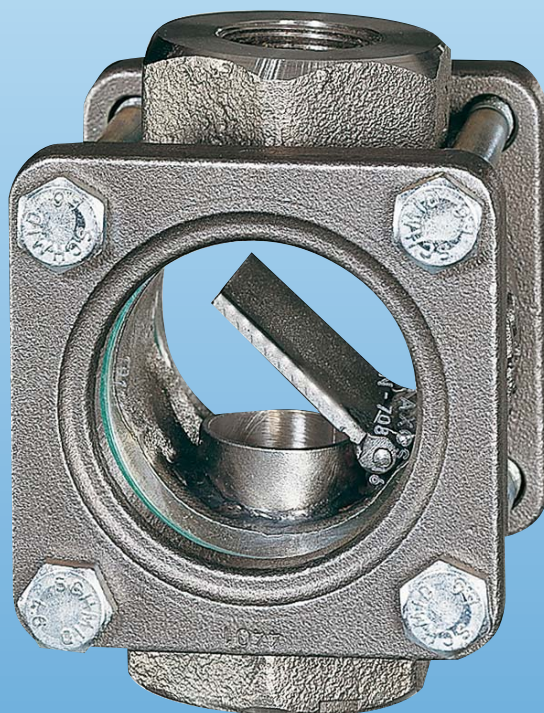


## Flap type Sight Glass Threaded Connections



- $p_{\max}$  40 bar,  $t_{\max}$  280 °C
- Connection:  
G  $\frac{3}{8}$ ...G 2,  $\frac{3}{8}$  NPT ... 2 NPT
- Materials:  
grey cast iron, cast steel,  
stainless steel



KOBOLD companies worldwide:

ARGENTINA, AUSTRIA, BELGIUM, CANADA, CHILE, CHINA, CZECHIA,  
FRANCE, GERMANY, GREAT BRITAIN, INDIA, INDONESIA, ITALY,  
MALAYSIA, MEXICO, NETHERLANDS, POLAND, SINGAPORE, SLOVAKIA,  
SPAIN, SWITZERLAND, THAILAND, USA, VENEZUELA, VIETNAM

KOBOLD Messring GmbH  
Nordring 22-24  
D-65719 Hofheim/Ts.  
☎ +49(0)6192 299-0  
Fax +49(0)6192 23398  
E-Mail: info.de@kobold.com  
Internet: www.kobold.com

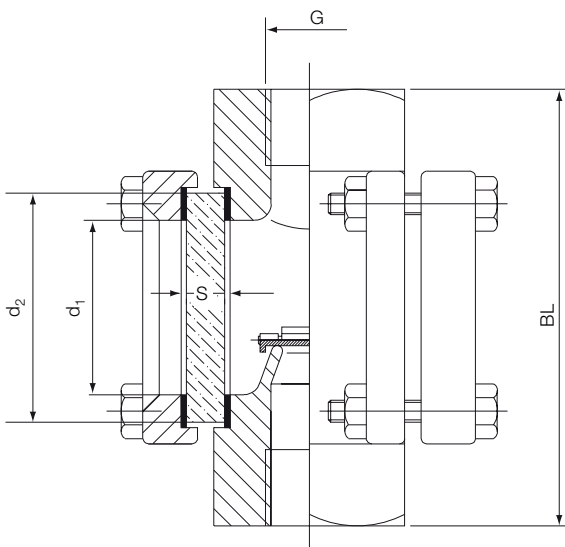
**Model:**  
DAK-1



**Material / Mounting position**

|                    | DAK-11   | DAK-13            | DAK-12                 |
|--------------------|--|-------------------|------------------------|
| Flap:              | stainless steel 1.4571   |                   |                        |
| Housing:           | grey cast iron 0.6025  | cast steel 1.0619 | stainless steel 1.4408 |
| Cover plates:      | grey cast iron 0.6025  | C 22.8            | stainless steel 1.4301 |
| Sight glass:       | instrument glass DIN 8902 (up to 150 °C); option: borosilicate glass DIN 7080 (up to 280 °C) |                   |                        |
| Screw:             | zinc plated steel  |                   | stainless steel        |
| Sealing:           | graphite (PTFE or other on request)  |                   |                        |
| Mounting position: | horizontal or vertical with flow from below  |                   |                        |

**Dimensions (Material grey cast iron)  
for pressure rating PN 16**



| G                       | BL [mm] | d 1 [mm] | d 2 [mm] | Glass thickness (S) at PN 16 [mm] | Approx. weight DAK-11... |
|-------------------------|---------|----------|----------|-----------------------------------|--------------------------|
| G 1/4<br>G 3/8<br>G 1/2 | 100     | 32       | 45       | 10                                | 1.8 kg                   |
| G 3/4<br>G 1            | 120     | 45       | 63       | 10                                | 2.6 kg                   |
| G 1 1/4<br>G 1 1/2      | 150     | 65       | 80       | 12                                | 5.3 kg                   |
| G 2                     | 180     | 80       | 100      | 15                                | 6.8 kg                   |

**Dimensions (Material cast steel or stainless steel)  
for pressure rating PN 16 (PN 25 / PN 40 on request)**

| G                                | BL [mm]    | d 1 [mm] | d 2 [mm]  | Glass thickness (S) at PN 16 [mm] | Approx. Weight DAK-12... DAK-13... |
|----------------------------------|------------|----------|-----------|-----------------------------------|------------------------------------|
| G 1/4<br>G 3/8<br>G 1/2<br>G 3/4 | 100        | 45       | 63        | 10                                | 2.3 kg                             |
| G 1<br>G 1 1/4                   | 130        | 65       | 80        | 12                                | 4.1 kg                             |
| G 1 1/2<br>G 2                   | 150<br>230 | 65<br>80 | 80<br>100 | 12<br>15                          | 4.7 kg<br>7.7 kg                   |

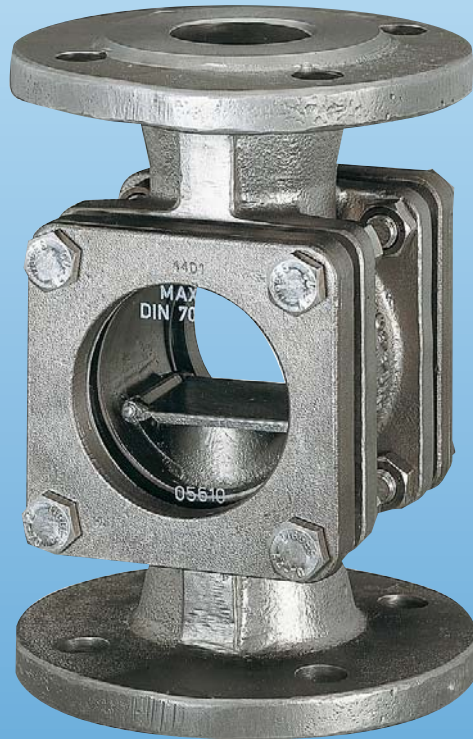
**Order Details (Example: DAK-1101H R08)**

|        | DAK-11                             | DAK-13      | DAK-12          | Connection |             | Option  |
|--------|------------------------------------|-------------|-----------------|------------|-------------|---|
|        | Instrument glass, graphite-sealing |             |                 | G-thread   | NPT-thread* | Please add option letter to order number  |
| BSP    | Grey cast iron                     | Cast steel  | Stainless steel |            |             |   |
| 1/4"   | DAK-1101H..                        | DAK-1301H.. | DAK-1201H..     | R08        | N08         | Option »B« = borosilicate glass, graphite-sealing<br>Option »P« = 25 bar for DAK-12... and DAK-13...<br>Option »Q« = 40 bar for DAK-12... and DAK-13... |
| 3/8"   | DAK-1102H..                        | DAK-1302H.. | DAK-1202H..     | R10        | N10         |   |
| 1/2"   | DAK-1103H..                        | DAK-1303H.. | DAK-1203H..     | R15        | N15         |   |
| 3/4"   | DAK-1104H..                        | DAK-1304H.. | DAK-1204H..     | R20        | N20         |   |
| 1"     | DAK-1105H..                        | DAK-1305H.. | DAK-1205H..     | R25        | N25         |   |
| 1 1/4" | DAK-1106H..                        | DAK-1306H.. | DAK-1206H..     | R32        | N32         |   |
| 1 1/2" | DAK-1107H..                        | DAK-1307H.. | DAK-1207H..     | R40        | N40         |   |
| 2"     | DAK-1108H..                        | DAK-1308H.. | DAK-1208H..     | R50        | N50         |   |

\* not for DAK-11 grey cast iron instruments

## Sight Glass with Flap

Flanged Connection



- $p_{max}$  40 bar,  $t_{max}$  280 °C
- Connection: DN 15...DN 200  
ANSI-flange on request
- Materials:  
grey cast iron, cast steel,  
stainless steel

KOBOLD companies worldwide:

ARGENTINA, AUSTRIA, BELGIUM, CANADA, CHILE, CHINA, CZECHIA,  
FRANCE, GERMANY, GREAT BRITAIN, INDIA, INDONESIA, ITALY,  
MALAYSIA, MEXICO, NETHERLANDS, POLAND, SINGAPORE, SLOVAKIA,  
SPAIN, SWITZERLAND, THAILAND, USA, VENEZUELA, VIETNAM

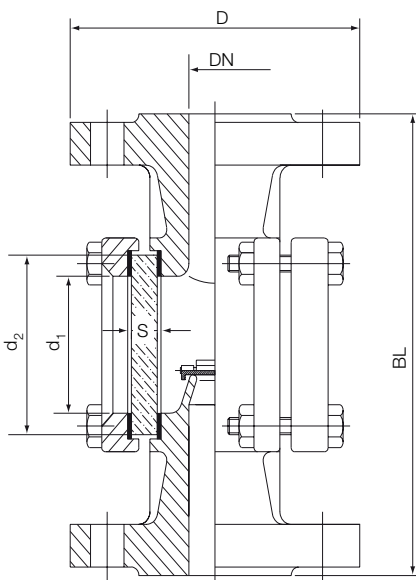
KOBOLD Messring GmbH  
Nordring 22-24  
D-65719 Hofheim/Ts.  
☎ +49(0)6192 299-0  
Fax +49(0)6192 23398  
E-Mail: info.de@kobold.com  
Internet: www.kobold.com

**Model:**  
DAK-2

**Materials / Mounting position**

|                    | DAK-21   | DAK-23             | DAK-22                 |
|--------------------|--|--------------------|------------------------|
| Flap:              | stainless steel 1.4571   |                    |                        |
| Housing:           | grey cast iron 0.6025  | cast steel 1.0619  | stainless steel 1.4408 |
| Cover plates:      | grey c. iron 0.6025/R St 37-2  | C 22.8 / R St 37-2 | stainless steel 1.4301 |
| Sight glass:       | hard glass DIN 8902 (up to 150 °C); option: borosilicate glass DIN 7080 (up to 280 °C) |                    |                        |
| Screws:            | zinc plated steel  |                    | stainless steel        |
| Seals:             | graphite (PTFE or on request)  |                    |                        |
| Mounting position: | horizontal or vertical with flow from bottom to top                                    |                    |                        |

**Dimensions for pressure rating PN 16**



| DN  | D [mm] | BL [mm] | d 1 [mm] | d 2 [mm] | Glass thickness (S) PN 16* [mm] | Approx. weight [kg] |                        |
|-----|--------|---------|----------|----------|---------------------------------|---------------------|------------------------|
|     |        |         |          |          |                                 | DAK 21...           | DAK-22...<br>DAK-23... |
| 15  | 95     | 130     | 32       | 45       | 10                              | 3.4                 | 4.2                    |
| 20  | 105    | 150     | 32       | 45       | 10                              | 4.2                 | 4.3                    |
| 25  | 115    | 160     | 48       | 63       | 10                              | 4.5                 | 6.6                    |
| 32  | 140    | 180     | 65       | 80       | 12                              | 8.4                 | 8.4                    |
| 40  | 150    | 200     | 65       | 80       | 12                              | 8.4                 | 8.6                    |
| 50  | 165    | 230     | 80       | 100      | 15                              | 12.9                | 11.1                   |
| 65  | 185    | 290     | 80       | 100      | 15                              | 22.7                | 23.1                   |
| 80  | 200    | 310     | 100      | 125      | 20                              | 30.0                | 29.6                   |
| 100 | 220    | 350     | 125      | 150      | 25                              | 35.1                | 36.1                   |
| 125 | 250    | 400     | 150      | 175      | 25                              | 47.1                | 47.1                   |
| 150 | 285    | 480     | 175      | 200      | 25**                            | 56.1                | 56.1                   |
| 200 | 340    | 600     | 175      | 200      | 25**                            | 98.1                | 98.1                   |

\* Pressure rating PN 25 / PN 40 on request!  
 \*\* with hard glass only PN 10, PN 16 with option »B« possible

**Order Details** (Example: DAK-2201H F15)

| Nominal size DN | DAK-21                    | DAK-23      | DAK-22          | Connection |                               | Option   |
|-----------------|---------------------------|-------------|-----------------|------------|-------------------------------|--|
|                 | Grey cast iron            | Cast steel  | Stainless steel | DIN-flange | ANSI-flange (only on request) |  |
|                 | Hard glass, graphite-seal |             |                 |            |                               | Please add option letter to order number   |
| 15              | DAK-2101H..               | DAK-2301H.. | DAK-2201H..     | F15        | A15                           | Option »B« = borosilicate glass, graphite-seal<br>Option »DIN« = construction according to DIN 3237 on request<br>Option »P« = 25 bar for DAK-22.../23...<br>Option »Q« = 40 bar for DAK-22.../23... |
| 20              | DAK-2102H..               | DAK-2302H.. | DAK-2202H..     | F20        | A20                           |  |
| 25              | DAK-2103H..               | DAK-2303H.. | DAK-2203H..     | F25        | A25                           |  |
| 32              | DAK-2104H..               | DAK-2304H.. | DAK-2204H..     | F32        | A32                           |  |
| 40              | DAK-2105H..               | DAK-2305H.. | DAK-2205H..     | F40        | A40                           |  |
| 50              | DAK-2106H..               | DAK-2306H.. | DAK-2206H..     | F50        | A50                           |  |
| 65              | DAK-2107H..               | DAK-2307H.. | DAK-2207H..     | F65        | A65                           |  |
| 80              | DAK-2108H..               | DAK-2308H.. | DAK-2208H..     | F80        | A80                           |  |
| 100             | DAK-2109H..               | DAK-2309H.. | DAK-2209H..     | F1H        | A1H                           |  |
| 125             | DAK-2110H..               | DAK-2310H.. | DAK-2210H..     | F1Z        | A1Z                           |  |
| 150**           | DAK-2111H..               | DAK-2311H.. | DAK-2211H..     | F1F        | A1F                           |  |
| 200**           | DAK-2112H..               | DAK-2312H.. | DAK-2212H..     | F2H        | A2H                           |  |

\*\*with Instrument glass only PN 10, PN 16 with Option »B« possible