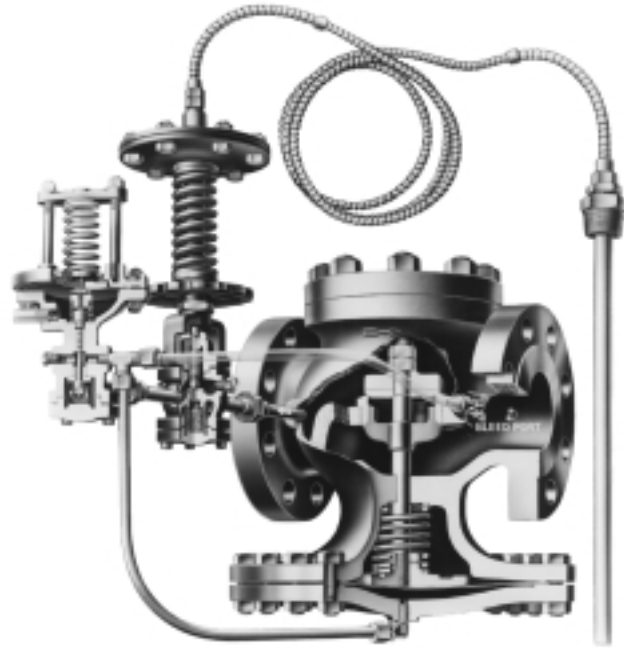


# TYPE ET14D PRESSURE LIMITING TEMPERATURE REGULATOR

CAST IRON or STEEL  
CONTROLS 20 to 500°F

## APPLICATION DATA

- Temperature & Pressure Regulation for large volume Heat Exchangers
- Storage Heaters
- Jacketed Kettles
- Vats



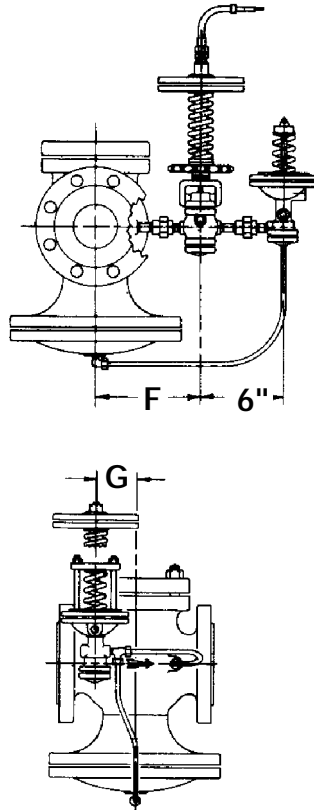
TYPE ET14D  
TEMP. REGULATOR

TYPE ET14D TEMPERATURE  
& PRESSURE REGULATOR

## DIMENSIONS

inches (mm)

| SIZE          | F               | G              |
|---------------|-----------------|----------------|
| 3/8<br>(10)   | 5 3/8<br>(136)  | 1 1/4<br>(32)  |
| 1/2<br>(15)   | 5 3/8<br>(136)  | 1 1/4<br>(32)  |
| 3/4<br>(20)   | 5 5/8<br>(143)  | 1 3/8<br>(35)  |
| 1<br>(25)     | 5 3/4<br>(146)  | 1 1/2<br>(38)  |
| 1 1/4<br>(32) | 6<br>(152)      | 1 7/8<br>(48)  |
| 1 1/2<br>(40) | 6 1/4<br>(159)  | 2<br>(51)      |
| 2<br>(50)     | 6 5/8<br>(168)  | 2 1/8<br>(54)  |
| 2 1/2<br>(65) | 6 3/4<br>(171)  | 2 3/8<br>(60)  |
| 3<br>(80)     | 7 1/4<br>(184)  | 2 3/4<br>(70)  |
| 4<br>(100)    | 8<br>(203)      | 3 1/2<br>(89)  |
| 5<br>(125)    | 9<br>(229)      | 3 1/2<br>(89)  |
| 6<br>(150)    | 9 7/8<br>(251)  | 4<br>(102)     |
| 8<br>(200)    | 10 1/2<br>(267) | 6 1/4<br>(159) |
| 10<br>(250)   | 12 1/2<br>(318) | 6<br>(152)     |
| 12<br>(300)   | 14<br>(356)     | 8 1/2<br>(216) |



Valve is tapped so that Pilot may be mounted on either side.

VALVE INFO  
PAGE 28

D PILOT INFO  
PAGE 48

T14 PILOT INFO  
PAGE 76

