

D80 Series

Dry or Liquid Filled • Stainless Steel Case

UTILITY GAUGES



D82LFB shown

- ▶ 1 1/2", 2", 2 1/2", 4" Dial Sizes
- ▶ ±1.6% Accuracy
- ▶ Stainless Steel Case
- ▶ Glycerine Fill Standard

The Trerice **D80 Series** Utility Gauge is designed for rugged performance requirements at an economical cost. This liquid filled gauge is furnished with a stainless steel case and crimped ring. Wetted parts are either bronze tube with brass socket or stainless steel.

- Optional features and case style variations available: Please consult the Options & Accessories Section for details.
- For correct use and application of all pressure gauges, please refer to: Pressure Gauge Standard ASME B40.100.

Specifications

Models		Wetted Parts
D82B	(dry)	Bronze tube, brass socket
D82LFB	(liquid filled)	brass socket
D83SS	(dry)	316 Stainless steel tube & socket
D83LFSS	(liquid filled)	

Dial Sizes 1 1/2", 2", 2 1/2", 4"

Fill Glycerine, other fills available
See Optional Features Section

Movement **D82:** Brass
D83: 316 Stainless steel

Connection Lower male or center back male,
Lower back male on 4" D83

Case 304 stainless steel,
stem-mounted flangeless

Ring Crimped 304 stainless steel

Window Acrylic

Pointer Plain, black finished

Dial Face Aluminum, white background with
black graduations and markings

Additional Features
Restrictor screw standard on
D83LFSS and D83SS

Accuracy ±1.6% Full Scale

Maximum Temperature
150°F (65°C)

Approximate Shipping Weight

- 1 1/2" Dial Size:
0.4 lbs [0.18 kg]
- 2" Dial Size:
0.4 lbs [0.18 kg]
- 2 1/2" Dial Size:
0.5 lbs [0.23 kg]
- 4" Dial Size:
1.0 lbs [0.45 kg]

HOW TO ORDER

Sample Order Number: **D82LFB 25 02 L A 110**

Model	Dial Size	Connection Size	Connection Location	Units of Measure	Range Code
D82LFB	15 1 1/2"	01 1/8 NPT*	L Lower	A psi	See Standard Ranges
D83LFSS	20 2"	02 1/4 NPT**	B Back	D psi/kPa	
D82B	25 2 1/2"				
D83SS	40 4"				

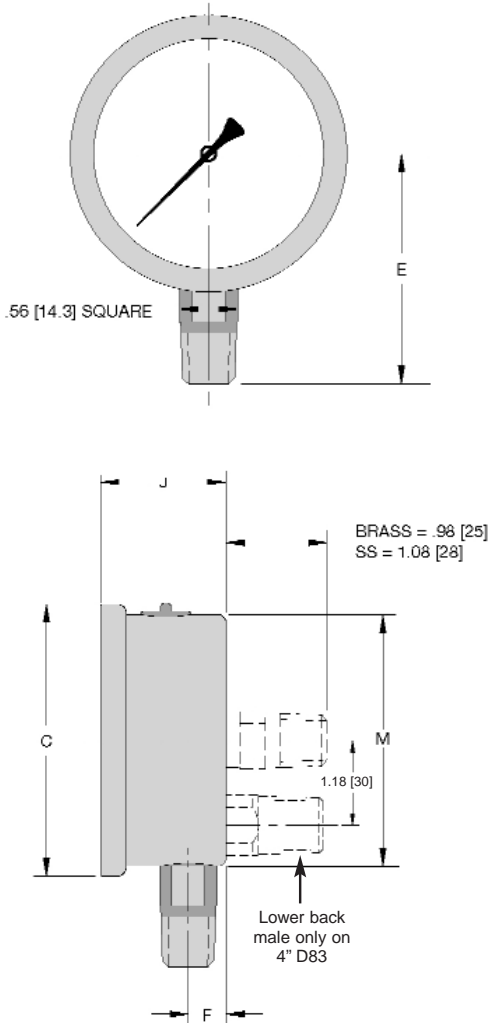
* 1/8 NPT connection size not available with 4" dial size.

** 1/4 NPT connection size not available with 1 1/2" dial size.

D80 Series

Dry or Liquid Filled • Stainless Steel Case

All dimensions are nominal. Dimensions in [] are in millimeters.



UTILITY GAUGES

Standard Ranges

psi Ranges (A)		D82		D83	
Range Code	Specific Range (psi)	Figure Intervals	Minor Divisions	Figure Intervals	Minor Divisions
010	30" Hg to 0	5	0.5	5	0.5
020	30" Hg to 15 psi	10/5	1/0.5	10/5	1/0.5
030	30" Hg to 30 psi	10/10	2/1	10/5	2/1
040	30" Hg to 60 psi	10/10	2/2	10/10	2/1
050	30" Hg to 100 psi	30/20	2/2	30/20	5/2
060	30" Hg to 150 psi	30/30	10/5	30/30	10/5
070	30" Hg to 300 psi	30/50	10/5	30/50	10/5
080	0 to 15 psi	3	0.2	3	0.2
090	0 to 30 psi	5	0.5	5	0.5
100	0 to 60 psi	10	1	10	1
110	0 to 100 psi	20	2	10	2
120	0 to 160 psi	20	2	20	2
130	0 to 200 psi	20	2	20	2
140	0 to 300 psi	50	5	50	5
150	0 to 400 psi	50	5	50	5
160	0 to 600 psi	100	10	100	10
180	0 to 1000 psi	100	25	100	20
190	0 to 1500 psi	300	20	300	25
200	0 to 2000 psi	200	20	200	25
210	0 to 3000 psi	500	50	500	50
220	0 to 5000 psi	1000	100	1000	100

230	0 to 10000 psi	N/A	N/A	N/A	N/A
240	0 to 15000 psi	N/A	N/A	N/A	N/A

For dual scale ranges specify the appropriate Units of Measure: **D** (psi/kPa) followed by the corresponding **A** (psi) **Range Code**

Dial Size	C	E	F	J	M
1 1/2" D82	1.85 [47]	1.50 [38]	0.32 [8]	1.06 [27]	1.61 [41]
1 1/2" D83	1.85 [47]	1.50 [38]	0.32 [8]	1.06 [27]	1.61 [41]
2" D82	2.28 [58]	1.89 [48]	0.39 [10]	1.14 [29]	2.05 [52]
2" D83	2.28 [58]	2.05 [52]	0.35 [9]	1.18 [30]	2.05 [52]
2 1/2" D82	2.68 [68]	2.24 [57]	0.39 [10]	1.18 [30]	2.44 [62]
2 1/2" D83	2.68 [68]	2.32 [59]	0.51 [13]	1.38 [35]	2.44 [62]
4" D82	4.29 [109]	3.07 [78]	0.47 [12]	1.42 [36]	3.90 [99]
4" D83	4.29 [109]	3.94 [100]	0.75 [19]	1.93 [49]	3.94 [100]