

700Plus Series

Industrial Transmitter Gauge

SPECIALTY GAUGES



703SS shown



- ▶ 4" Dial Size
- ▶ ±1.0% Accuracy
- ▶ Stainless Steel Case
- ▶ Liquid Fillable

The Trerice **700Plus Series** Transmitter Gauge is designed to provide both local and remote pressure readings through the integration of an independent pressure transmitter to the pressure gauge. This gauge has a stainless steel case and ring, and is field liquid fillable (no kit required). Wetted parts include a stainless steel tube and socket with a ceramic transmitter.

- Optional features and case style variations available: Please consult the Options & Accessories Section for details.
- For correct use and application of all pressure gauges, please refer to: Pressure Gauge Standard ASME B40.100.

Specifications

Models

703SS (dry)
703LFSS (liquid filled)

Dial Size 4"

Wetted Parts

Transmitter: Ceramic
Gauge: 316L stainless steel tube & socket

Fill Mineral Oil

Movement Stainless Steel

Process Connection

Lower male or lower back male, 1/4 or 1/2 NPT

Case 304 Stainless steel, stem mounted flangeless

Ring Bayonet type, 304 stainless steel

Window Clear glass

Pointer Micro adjustable knife edge, black finished

Dial Face Aluminum, white background with black graduations and markings

Electrical Connection

Wiring cable

Supply Voltage

12 to 28 Vdc @ 6mA
(15 to 28 Vdc with 0 to 10 Vdc Output Signal)

Output Signal

4 to 20 mA
(load resistance maximum Ω) =
 $\frac{V_{\text{supply}} - 12}{0.02}$

Accuracy Transmitter: ±0.3% Full Scale Max.

Gauge: ±1.0% Full Scale, ASME B40.100 Grade 1A

Maximum Temperature

212°F (100°C)

Approximate Shipping Weight

2.0 lbs [0.91 kg]

HOW TO ORDER

Sample Order Number: **703SS 40 02 L 2 A 110**

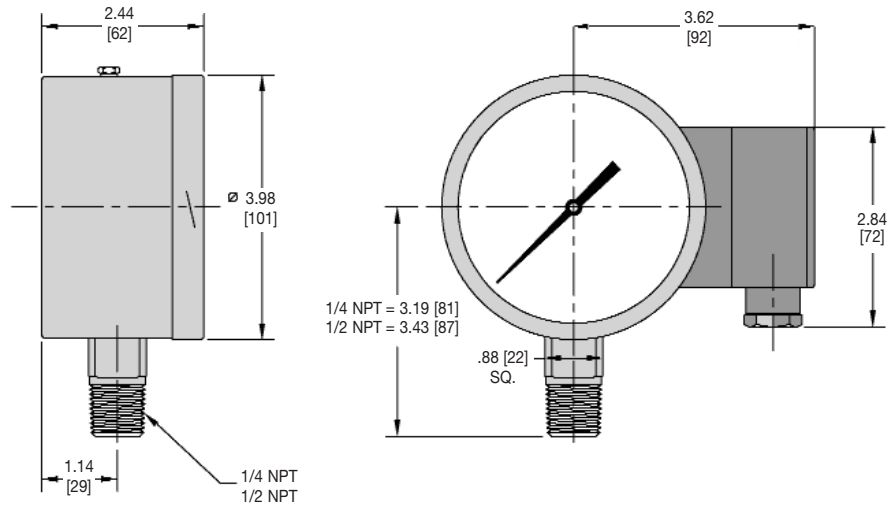
Model	Dial Size	Connection Size	Connection Location	Output Signal	Units of Measure	Range Code
703SS 703LFSS	40 4"	02 1/4 NPT 04 1/2 NPT	L Lower	3 4 to 20 mA	A psi D psi/kPa	See Standard Ranges

700Plus Series

Industrial Transmitter Gauge

All dimensions are nominal. Dimensions in [] are in millimeters.

SPECIALTY GAUGES



Standard Ranges

psi Ranges (A)				psi Ranges (A)			
Range Code	Specific Range	Figure Intervals	Minor Divisions	Range Code	Specific Range	Figure Intervals	Minor Divisions
010	30" Hg to 0	5	0.5	120	0 to 160 psi	20	2
020	30" Hg to 15 psi	10/5	0.5/0.5	130	0 to 200 psi	20	2
030	30" Hg to 30 psi	10/5	1/1	140	0 to 300 psi	50	5
040	30" Hg to 60 psi	10/10	2/1	150	0 to 400 psi	50	5
050	30" Hg to 100 psi	30/20	2/2	160	0 to 600 psi	100	10
060	30" Hg to 150 psi	30/20	5/2	180	0 to 1000 psi	100	20
070	30" Hg to 300 psi	30/50	5/5	190	0 to 1500 psi	300	20
080	0 to 15 psi	3	0.2	200	0 to 2000 psi	200	20
090	0 to 30 psi	5	0.5	210	0 to 3000 psi	500	50
100	0 to 60 psi	10	1	220	0 to 5000 psi	1000	100
110	0 to 100 psi	10	2	230	0 to 10,000 psi	2000	200

For dual scale ranges, specify the appropriate **Units of Measure: D** (psi/kPa) followed by the corresponding **A** (psi) **Range Code**. Other pressure ranges are also available including: Altitude, Ammonia, Refrigerant and Receiver. Consult Special Application Ranges section or factory for availability.