

# Sanitary Diaphragm Seals

DIAPHRAGM SEALS



W472 shown



The Trerice **Sanitary Diaphragm Seal** is intended for use in the food and pharmaceutical industries, or in any application where a thorough cleaning of the wetted surface is required. Ease of maintenance is ensured as surfaces that contact the process media are virtually free of crevices. The all welded construction and external Tri-Clamp connection allow for easy removal and cleaning.

Selection of the proper diaphragm seal is the sole responsibility of the user. Temperature and pressure limitations must be considered. Please refer to the Diaphragm Seal Design & Operation Section of this catalog. Improper application may cause failure of the seal, resulting in possible personal injury or property damage.

For correct use and application of all diaphragm seals, please refer to Diaphragm Seal Standard ASME B40.2.

- ▶ External Tri-Clamp
- ▶ Clean-out Design
- ▶ All Welded Design

## SPECIFICATIONS

Style	Available Diaphragm Types*	Diaphragm Size	Process Connection	Clean-out Design	1/4 NPT Flushing Connection
472	Type W	Sanitary	Tri-Clamp	Yes	No

\* W = Welded Metal

Note: Due to the variety of available diaphragm seal configurations and materials, it is not possible to list each weight in this catalog. Please consult factory.

## HOW TO ORDER

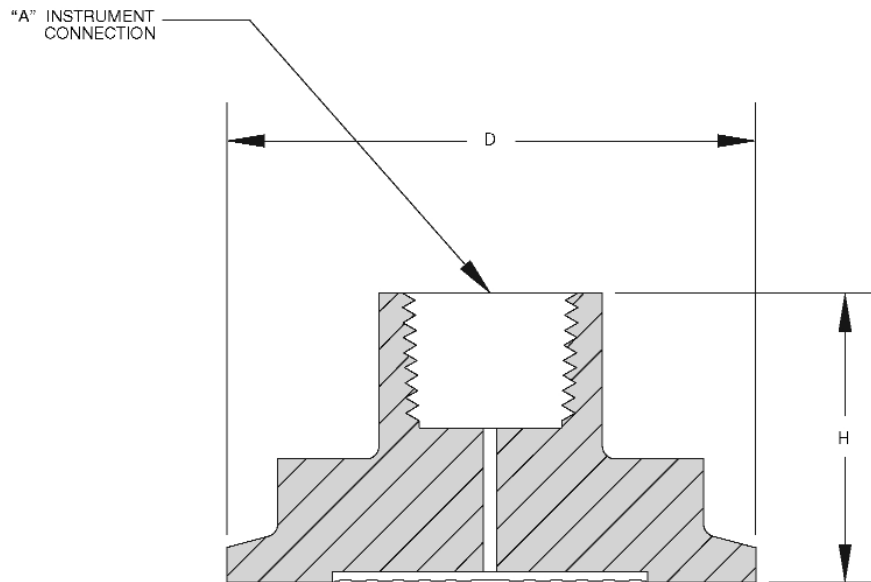
Sample Order Number: **W 4 72 09 S S S**

Diaphragm Type	Diaphragm Size	Style	Connection Size	Diaphragm Material	Process Housing Material	Instrument Housing Material
W Welded	4 Sanitary	72 Tri-Clamp	See Connection Sizes on Sizes Table	S 316 Stainless Steel	S 316 Stainless Steel	S 316 Stainless Steel

# Sanitary Diaphragm Seals

All dimensions are nominal. Dimensions in [ ] are in millimeters.

DIAPHRAGM SEALS



Tri-Clamp Size	A	H	D
1 1/2"	1/4, 1/2 NPT as specified	1.81 [46]	2.00 [50]
2"	1/4, 1/2 NPT as specified	1.38 [35]	2.50 [64]

## Sizes

Connection Sizes		
Code	Instrument Connection (NPT)	Process Connection
07	1/4	1 1/2" Tri-Clamp
08	1/2	1 1/2" Tri-Clamp
09	1/4	2" Tri-Clamp
10	1/2	2" Tri-Clamp

Clamps, gaskets and ferrules are not supplied by Terrice.