

Drop-In Welded Diaphragm Seals

DIAPHRAGM SEALS



M565 shown



The Trerice **Drop-In Welded Diaphragm Seal** is furnished with a Clean-out design for use on piping 4" or larger in diameter. The diaphragm seal is installed by welding the process housing directly into the pipe. Available diaphragm choices include: Teflon (T), Viton (V), Removable Metal (M) and Welded Metal (W).

Selection of the proper diaphragm seal is the sole responsibility of the user. Temperature and pressure limitations must be considered. Please refer to the Diaphragm Seal Design & Operation Section of this catalog. Improper application may cause failure of the seal, resulting in possible personal injury or property damage.

For correct use and application of all diaphragm seals, please refer to Diaphragm Seal Standard ASME B40.2.

- ▶ Clean-out Design
- ▶ Welded Process Connection

SPECIFICATIONS

| Style | Available Diaphragm Types* | Diaphragm Size | Process Connection | Clean-out Design | 1/4 NPT Flushing Connection |
|-------|----------------------------|----------------|--------------------|------------------|-----------------------------|
| 565 | M, T, V, W | Standard | Threaded | Yes | No |

*M = Removable Metal, T = Teflon, V = Viton, W = Welded Metal

Note: Due to the variety of available diaphragm seal configurations and materials, it is not possible to list each weight in this catalog. Please consult factory.

HOW TO ORDER

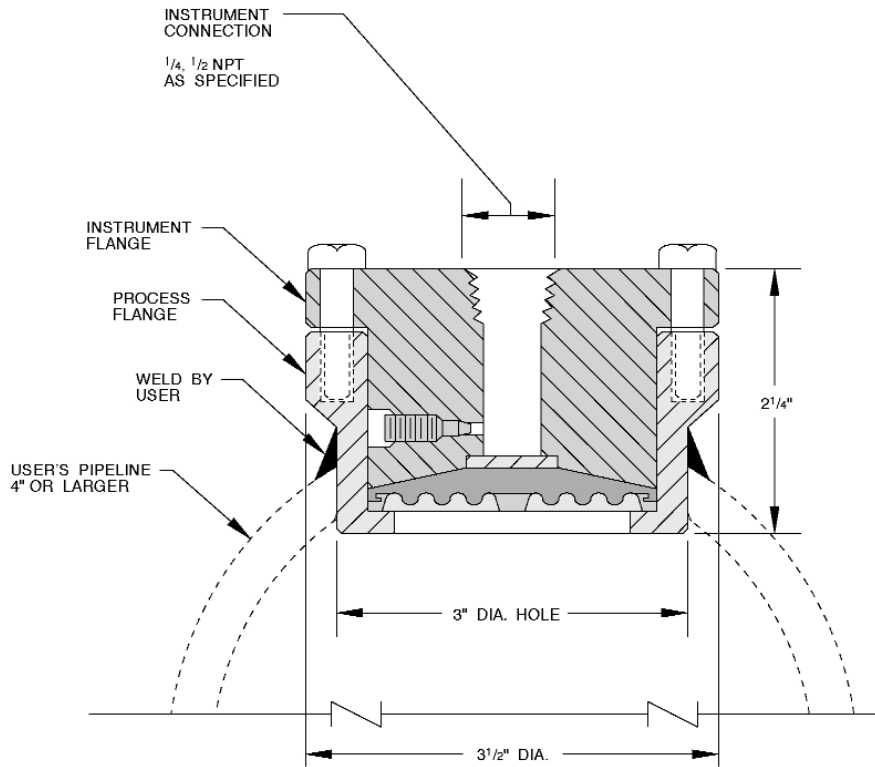
Sample Order Number: **M 5 65 11 S S CC**

| Diaphragm Type | Diaphragm Size | Style | Connection Size | Diaphragm Material | Process Housing Material | Instrument Housing & Bolt Material |
|--|----------------|-------------------|----------------------|-------------------------|-------------------------------|---|
| M Metal T Teflon V Viton W Welded | 5 Standard | 65 Drop-In Welded | See Connection Sizes | See Diaphragm Materials | See Process Housing Materials | CC Carbon Steel SS 316 Stainless Steel |

See Sizes and Materials Table

Drop-In Welded Diaphragm Seals

All dimensions are nominal.



DIAPHRAGM SEALS

Sizes and Materials

| Connection Sizes | | | Diaphragm Materials | | Process Housing Materials | |
|------------------|-----------------------------|--------------------|---------------------|---------------------|---------------------------|---------------------|
| Code | Instrument Connection (NPT) | Process Connection | Code | Material | Code | Material |
| 11 | 1/4 | 3" Process Housing | D | Carpenter 20 | C | Steel |
| 12 | 1/2 | 3" Process Housing | F | 304 Stainless Steel | D | Carpenter 20 |
| | | | G | Hastelloy B | F | 304 Stainless Steel |
| | | | H | Hastelloy C-276 | G | Hastelloy B |
| | | | M | Monel | H | Hastelloy C-276 |
| | | | N | Nickel | M | Monel |
| | | | S | 316 Stainless Steel | N | Nickel |
| | | | T | Teflon | S | 316 Stainless Steel |
| | | | U | Tantalum | | |
| | | | V | Viton | | |