

Valve Body Selection

(for 910A, 910B & 910C Control Valves)

CAST IRON

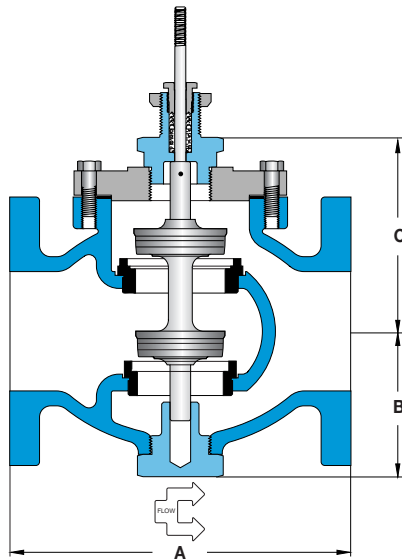
Double Seat • 2 1/2" – 4"



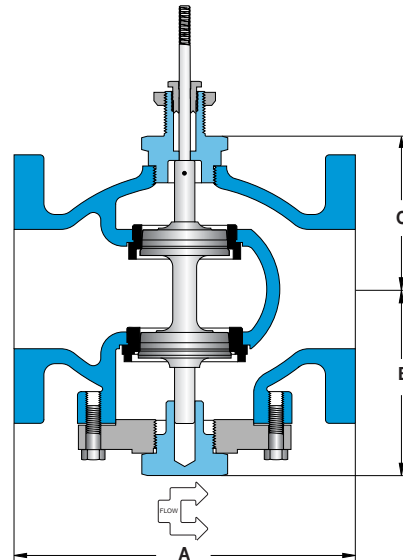
All dimensions are nominal. Dimensions in [] are in millimeters.

CONTROL VALVES

**Stem In-To-Close
(normally open)**



**Stem In-To-Open
(normally closed)**



Specifications

Body Material	Trim Material	Trim Style	Connection	Pressure & Temperature Rating
Cast-iron	Stainless steel	Modified linear	Class 125 flanged	125 PSI @ 350°F (176°C)

Valve Body Selection

In-To-Close (Normally Open)				Maximum Close-Off Pressure (psid)			Dimensions			Approximate Shipping Wt.
Valve Body Number	Size		C _v	910A	910B	910C	A	B	C	
	Connection	Nominal Port								
B73	2 1/2"	2 1/2"	69	125	x	x	7.8 [198]	4.8 [122]	5.4 [137]	45 lbs [20 kg]
B78	3"	3"	90	125	x	x	9.0 [229]	5.0 [127]	5.6 [142]	70 lbs [32 kg]
B83	4"	4"	196	125	x	x	11.4 [290]	6.3 [160]	6.5 [165]	100 lbs [45 kg]

In-To-Open (Normally Closed)				Maximum Close-Off Pressure (psid)			Dimensions			Approximate Shipping Wt.
Valve Body Number	Size		C _v	910A	910B	910C	A	B	C	
	Connection	Nominal Port								
B74	2 1/2"	2 1/2"	69	125	x	x	7.8 [198]	4.8 [122]	5.4 [137]	45 lbs [20 kg]
B79	3"	3"	90	125	x	x	9.0 [229]	5.0 [127]	5.6 [142]	70 lbs [32 kg]
B84	4"	4"	196	125	x	x	11.4 [290]	6.3 [160]	6.5 [165]	100 lbs [45 kg]