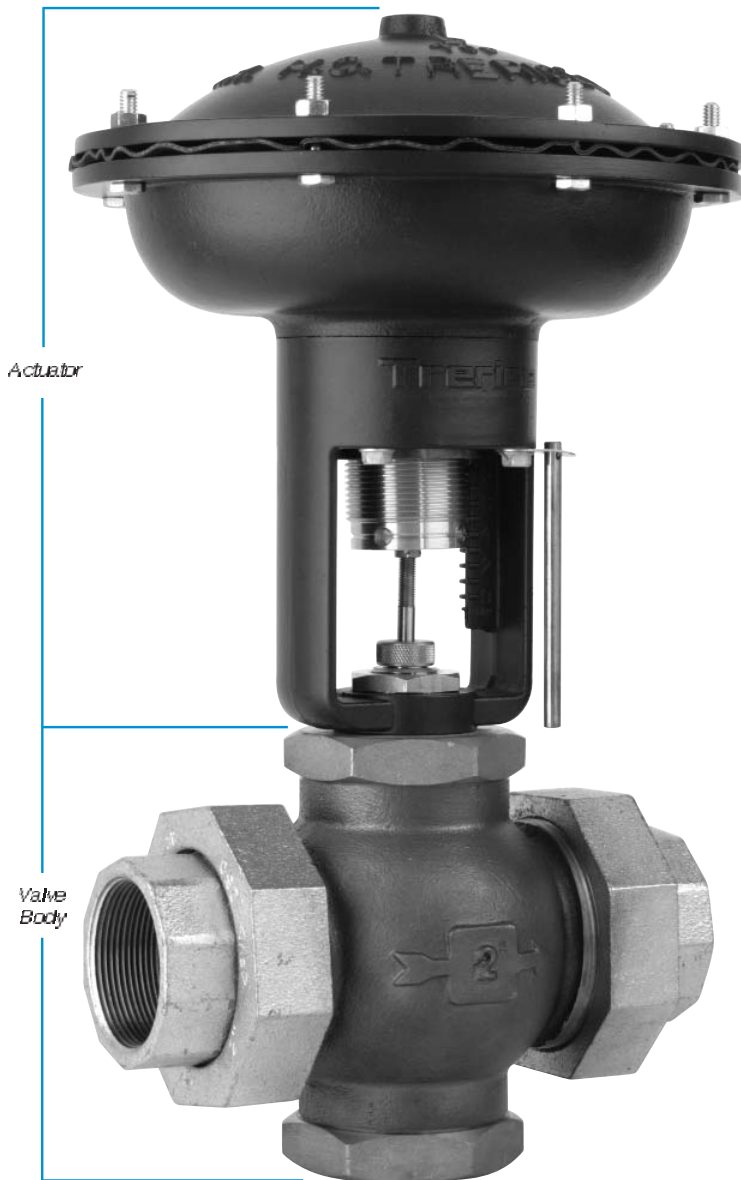


# 910 Series Compact Control Valve

CONTROL VALVES



910B shown

- ▶ Diaphragm Actuated
- ▶ 7", 9", & 12" Actuator Sizes
- ▶ Heavy Duty Die Cast Housing
- ▶ 1/2" – 6" Valve Sizes



The Trerice **910 Series Pneumatic Control Valve** offers high quality at an economical price, incorporating many features found only on more expensive units. Models are available to provide the proper flow response required by the application.

The **910A, 910B & 910C** are used for On/Off control applications, providing a quick-opening flow response when used with single or double seated valves.

The **910TB** is used for proportional or PID control applications, providing a throttling flow response when used with double seated or 3-way valves.

The **910EPA & 910EPC** is used for proportional or PID control applications, providing an equal percentage flow response when used with single seated valves.

For optimal performance, the service conditions (medium, flow, temperature, inlet and outlet pressures) of the application must be considered when selecting a valve. Please refer to the Valve Selection Section of this catalog. Consult the Valve Selection tables for the capabilities of a particular valve/actuator assembly. Improper application may cause failure of the valve, resulting in possible personal injury or property damage.

For replacement or service parts please see Accessories and Replacement Parts in the Regulators and Control Valves section of the list price sheet.

# 910 Series Compact Control Valve

CONTROL VALVES

## Specifications

Actuator Model	Diaphragm Size	Control Action	Input Signal
910A	7"	On/Off	15 psi
910B	10"	On/Off	15 psi
910C	12"	On/Off	15 psi
910TB	10"	Throttling*	3-15 psi
910EPA	7"	Equal Percentage	3-15 psi
910EPC	12"	Equal Percentage	3-15 psi

\*Includes 3-Way

### Housing

Die cast aluminum, epoxy powder coated blue finish

### Setting Scale

Integral to housing

### Adjustment Screw

Brass

### Adjustment Screw Bushing

Lubricant impregnated sintered bronze

### Range Adjustment Spring

Cadmium plated

### Pressure Plate

Aluminum

### Diaphragm

Nylon reinforced EDPM

### Air Pressure to Diaphragm

30 psig maximum

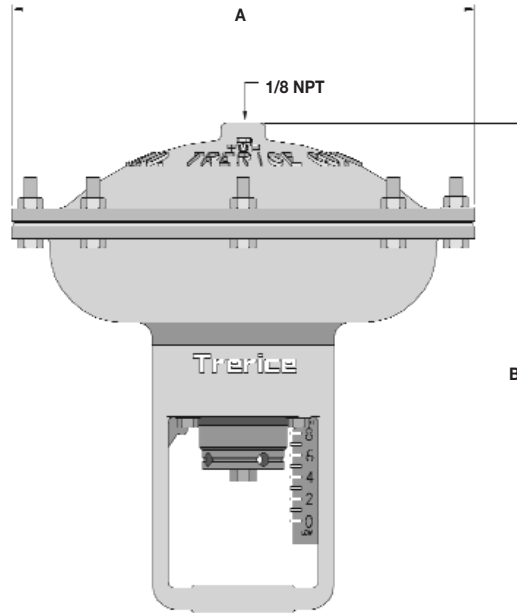
### Air Pressure Connection

1/8 NPT Female

### Operating Temperature

Ambient:  
-40°F (-40°C) to 180°F (82°C)  
Process Flow:  
-40°F (-40°C) to 410°F (210°C)

All dimensions are nominal. Dimensions in [ ] are in millimeters



Actuator Number	A	B	Approx. Shipping Weight
910A	7.0 [178]	9.8 [249]	6.6 lbs [2.97 kg]
910B	9.3 [236]	9.8 [249]	8.5 lbs [3.83 kg]
910C	11.4 [290]	9.8 [249]	12.0 lbs [5.41 kg]
910TB	9.3 [236]	9.8 [249]	9.6 lbs [4.32 kg]
910EPA	7.0 [178]	9.8 [249]	7.6 lbs [3.42 kg]
910EPC	11.4 [290]	9.8 [249]	13.1 lbs [5.90 kg]

## HOW TO ORDER

Sample Order Number: **910TB - A56**

Actuator Model	(Control Action)	Valve Body Number
910A 910B 910C	On/Off	Refer to pages 230–234
910TB	Throttling	Refer to pages 235–238
910EPA 910EPC	Equal Percentage	Refer to page 239

- Determine the Actuator Model (910A, 910B, 910C, 910TB, 910EPA or 910EPC) required. Note:** Refer to the maximum close-off pressure columns in the Valve Body Selection tables to determine the Actuator size required by your application.
- Determine the Valve Size, style and material required by the application. Note:** Consult the Valve Selection Table to determine the required Valve Body Number.