

BASE BY-PASS

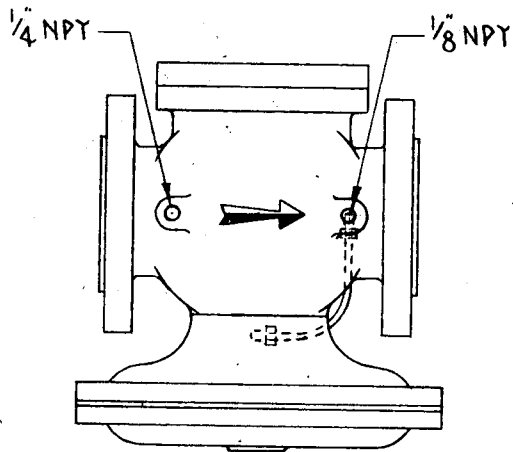
SE-2

An auxiliary tubing connection called the base by-pass is shown below.

This connection is not a standard one and is not incorporated on each main valve, however each valve is drilled and tapped in such a manner that it is a simple matter to install it at the factory or in the field. It is not necessary for the bulk of our applications and therefore is not installed as standard.

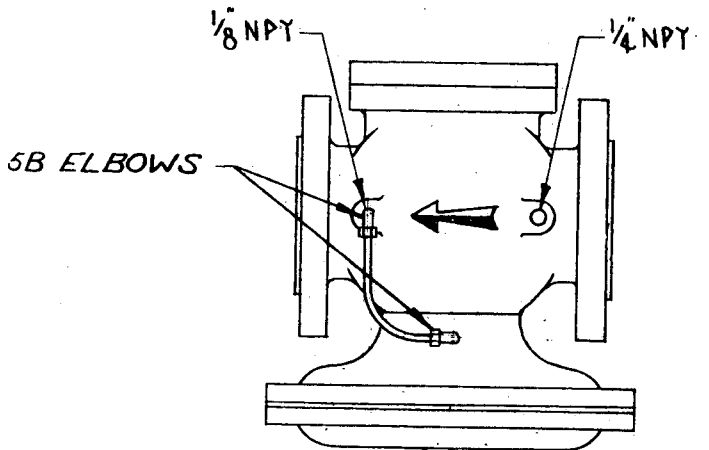
The purpose of the base by-pass is to improve the response of the main valve to sudden large flow changes.

The base by-pass is always used on primary valves of two stage stations and on any other installation where frequent and large load variations occur.

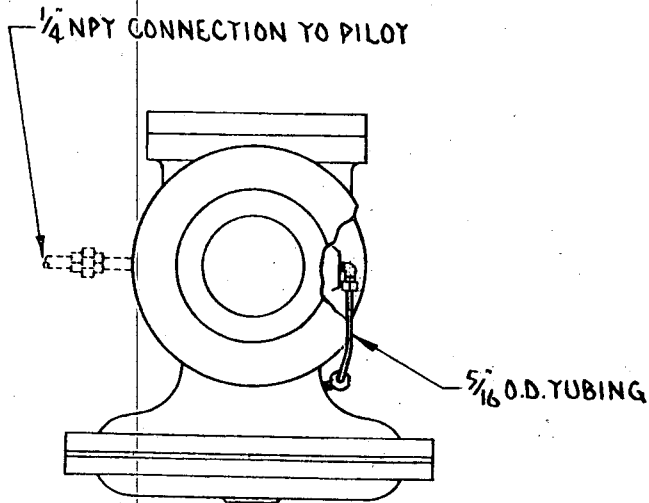


FRONT VIEW

PILOT CONNECTION ON NEAR SIDE.
BASE BY-PASS CONNECTION ON FAR SIDE.



REAR VIEW



VIEW ON OUTLET