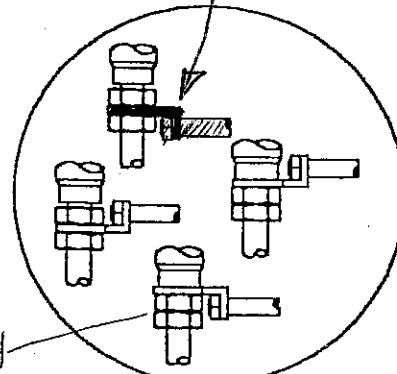
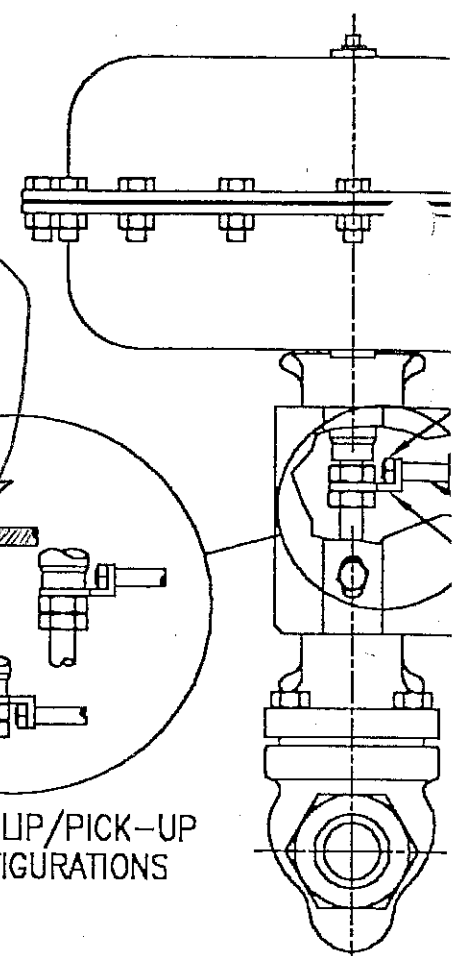


Mark,
THIS IS
THE PART
WE NEED
(ANGLE CLIP
W/ PIN + NUT)



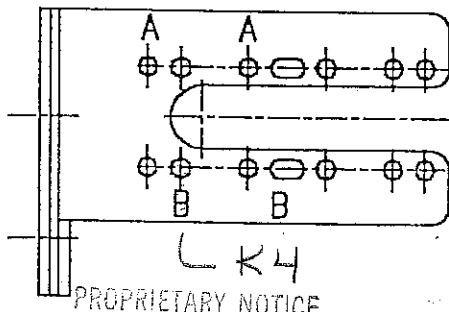
FEEDBACK CLIP/PICK-UP
ARM CONFIGURATIONS



TRAVEL	"A" DIMENSION	CLIP HOLE	CLIP	YOKE	BRACKET HOLES	YOKE
.75	.62	# 2	4-13286-0	4-12987-0	A A	4-16987-0
1.06	.88	# 3	4-13286-0	4-12987-0	A A	4-16987-0
1.25	1.08	# 1	4-13269-0	4-14289-0	A A	4-14095-0
1.50	1.20	# 3	4-13269-0	4-14289-0	B B	4-14095-0
2.00	1.70	# 3	4-13269-0	4-14289-0	A A	4-14095-0

OLD
NARROW

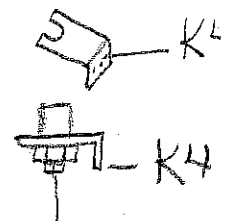
NEW WIDE



PROPRIETARY NOTICE



4-13286-0
4-13269-0



The information in this document includes matter that is proprietary with Spence Engineering Company, Inc. Its use for purposes contrary to the best interests of the Spence Engineering Company, Inc. is not authorized.

NOTE:
REFER TO MOC
POSITIONER

DATE	CHG #	BY	REV	CHANGES
SF408 Rev 1				