



125WC SERIES CAST IRON WAFER SILENT CHECK VALVES

Pressures to 200 PSIG (13.8 barg)
Temperatures to 300°F (149°C)

APPLICATIONS

- Liquid Service
- Process Industry
- Power Industry
- Chemical Industry
- Oil & Gas
- Pulp & Paper
- Metal & Mining
- Water & Waste

- ASME Class 125 rated check valves
- Designed to reduce surge and water hammer
- Silent, non-slam closure
- Center guided at both ends to prevent binding and cocking
- Compact face to face length for space saving
- Wafer body style fits between FF or RF flanges

MODELS

- 125WCIB - Cast Iron Body, Bronze Disc
- 125WCIT - Cast Iron Body, Stainless Steel Disc

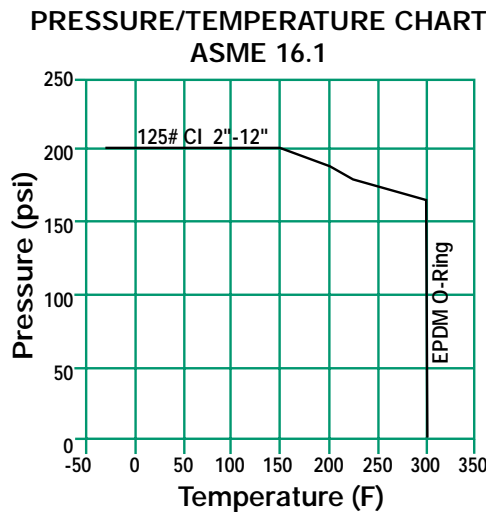
OPTIONS *(Consult factory)*

- EPDM Seats
- Other Spring Material
- Heavier or Lighter Springs

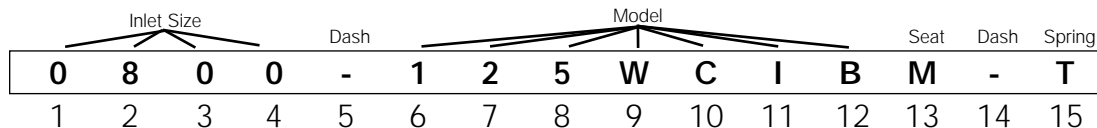
APPLICABLE CODES

- ASME Sec VIII and B16.1 Bodies
- API 598

Canadian Registration - OC10274.5C



125WC Series Ordering Code



Inlet Size - Position 1 - 4 0200 - 2" 0250 - 2½" 0300 - 3" 0400 - 4" 0500 - 5" 0600 - 6" 0800 - 8" 1000 - 10" 1200 - 12"
--

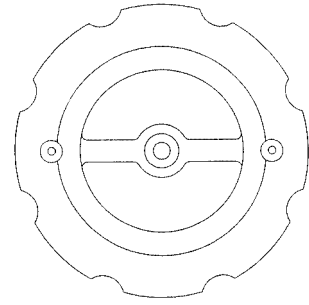
Dash - Position 5 Model - Position 6 - 12 125WCIB - Cast Iron Body, Bronze Disc 125WCIT - Cast Iron Body, Stainless Steel Disc Seat - Position 13 M - Metal Dash - Position 14 Spring - Position 15 T - Stainless Steel
--



125WC SERIES CAST IRON WAFER SILENT CHECK VALVES

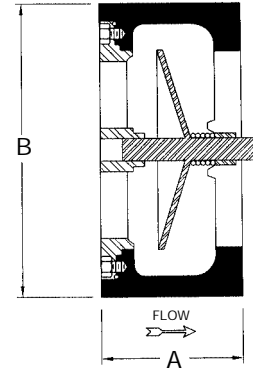
SPECIFICATION

Check Valve shall be single disc design with Cast Iron wafer body style designed to ASME Sec. VIII and ASME B16.1. The check valve shall have a metal to metal seat with bronze or SS discs and be center guided from both ends. The check valve shall be ASME Class 125 rated. The spring shall be 316SS. The check valve shall be SSI 125WC Cast Iron Series.



MATERIALS OF CONSTRUCTION

BodyA126-B Cast Iron
 DiscsAl/Bz B148 C954 or 316SS A351-CF8M
 SeatBronze or SS
 Spring316SS
 O-RingEPDM



DIMENSIONS inches (mm) AND WEIGHTS pounds (kg)

Size	A	B*	QTY	Stud Selection		Weight
				Dia.	Length	
2 (50)	2 ¹¹ / ₁₆ (68)	4 ¹ / ₈ (105)	4	⁵ / ₈ (16)	6 ¹ / ₂ (165)	5 (2.3)
2 ¹ / ₂ (65)	2 ⁷ / ₈ (73)	4 ⁷ / ₈ (124)	4	⁵ / ₈ (16)	6 ³ / ₄ (171)	8 (3.6)
3 (80)	3 ³ / ₁₆ (81)	5 ³ / ₈ (137)	4	⁵ / ₈ (16)	7 (178)	10 (4.5)
4 (100)	4 (103)	6 ⁷ / ₈ (175)	8	⁵ / ₈ (16)	8 (203)	19 (8.6)
5 (125)	4 ⁵ / ₈ (118)	7 ³ / ₄ (197)	8	³ / ₄ (19)	8 ³ / ₄ (222)	30 (13.6)
6 (150)	5 ⁹ / ₁₆ (142)	8 ³ / ₄ (222)	8	³ / ₄ (19)	10 ¹ / ₂ (267)	42 (19.1)
8 (200)	6 ¹ / ₂ (165)	11 (279)	8	³ / ₄ (19)	11 ¹ / ₄ (286)	87 (39.5)
10 (250)	8 ⁷ / ₃₂ (209)	13 ³ / ₈ (340)	12	⁷ / ₈ (22)	12 ¹ / ₄ (311)	146 (66.2)
12 (300)	11 ¹ / ₄ (286)	16 ¹ / ₈ (410)	12	⁷ / ₈ (22)	16 ¹ / ₂ (419)	304 (137.9)

*Add the "B" dimension and the diameter of the stud to achieve the ANSI B16.5 Bolt Hole Circle Diameter

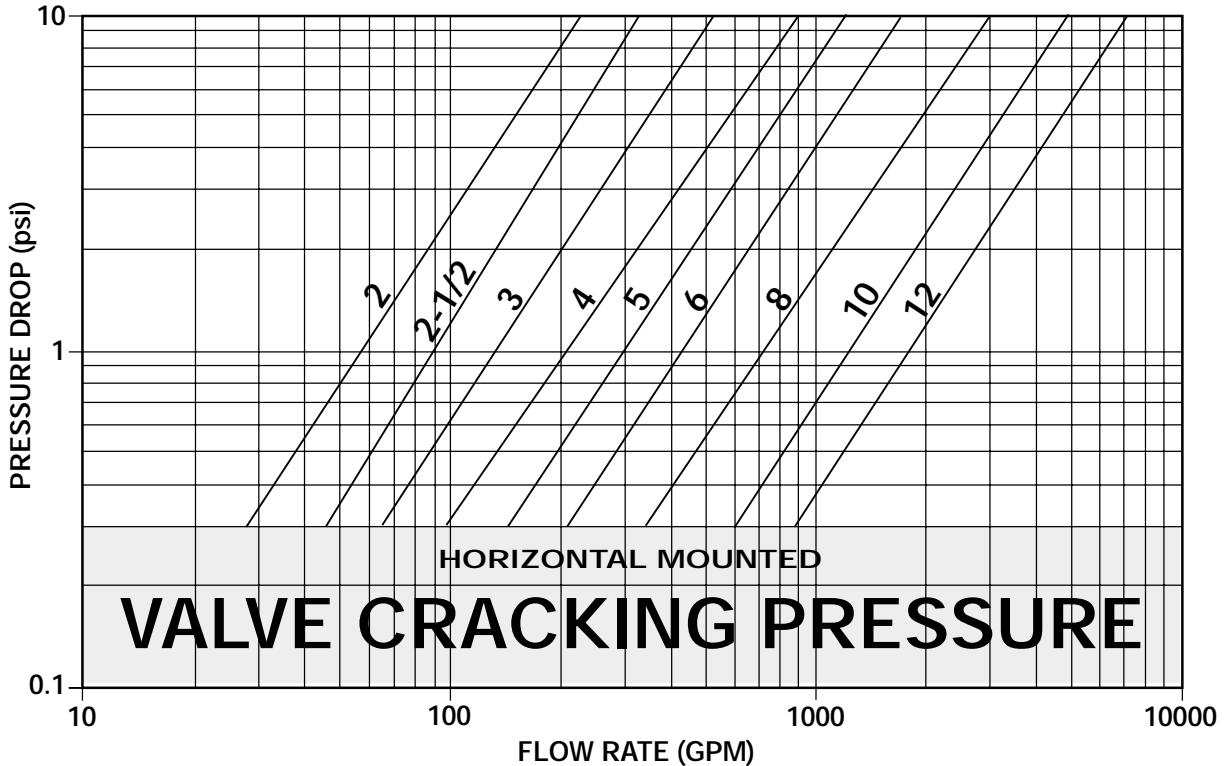
- Connections: 2" to 12" Flanged FF
- Seats: 2" to 12"
Bronze or Stainless Steel
- Cracking Pressure:
Horizontal Mounting - .3 psid
Vertical Mounting - .75 to 1.25 psid

WAFER SILENT CHECK VALVES

125WC SERIES WAFER SILENT CHECK VALVE

PRESSURE DROP VS FLOW RATE

(Sizes 2" - 12")



- (1) Pressure drop curves are based on water flow.
- (2) Valve cracking pressure is equal to or less than 0.3 psid when mounted horizontally.
- (3) Valve cracking pressure increases to between 0.75 and 1.25 psid when installed vertically with flow upwards.

Installation Note:

1. For correct installation and maintenance please see our I&M manual.
2. Vertical installation (downward flow) – Consult factory.
3. Always use Strainers in upstream piping.
4. Not recommended for Steam Service

Cv Values

Size (inches)	2	2½	3	4	5	6	8	10	12
Min Cv (@ .3 PSID)	51	84	119	179	265	383	639	1114	1604
Cv (@ 1 PSID)	58	90	134	210	300	430	740	1250	1800
Max Cv (@ 10 PSID)	73	106	168	285	391	548	964	1581	2277

