

TYPE N6 DIFFERENTIAL PRESSURE VALVE

SIZES 3/4" – 2"
PRESSURES to 250 PSIG at 350°F

- Maintains Constant Differential Pressure
- Stainless Steel Valve Trim
- High Temperature Sealing Ring
- Polished Stainless Steel Piston
- ANSI/FCI 70-2 Class IV Shutoff

RATED FLOW COEFFICIENTS (Cv)

VALVE SIZE					
3/4	1	1 1/4	1 1/2	2	2 1/2
7.1	13.3	22.0	32.5	51.0	88.0

TYPE N6 DIFFERENTIAL PRESSURE VALVE

APPLICATION DATA

- Maintain Pump Discharge Pressure
- Pump Bypass Valve
- Boiler Feedwater Valve

VALVE RATINGS

Valve Ends ASME/ANSI	Pressure PSIG (bar)	Temperature °F (°C)
B16.4 Class 250 NPT	250 (17.2)	@ 350 (176.7)
B16.1 Class 250 Flanged	250 (17.2)	@ 350 (176.7)

SPRING RANGES (Differential Pressure, psi)

5-50	100-200
40-125	

Canadian Registration # OC 0591.9C

Installation Tip: Add Uniflex Pipe Coupling for ease of maintenance
Consult factory for pricing and availability

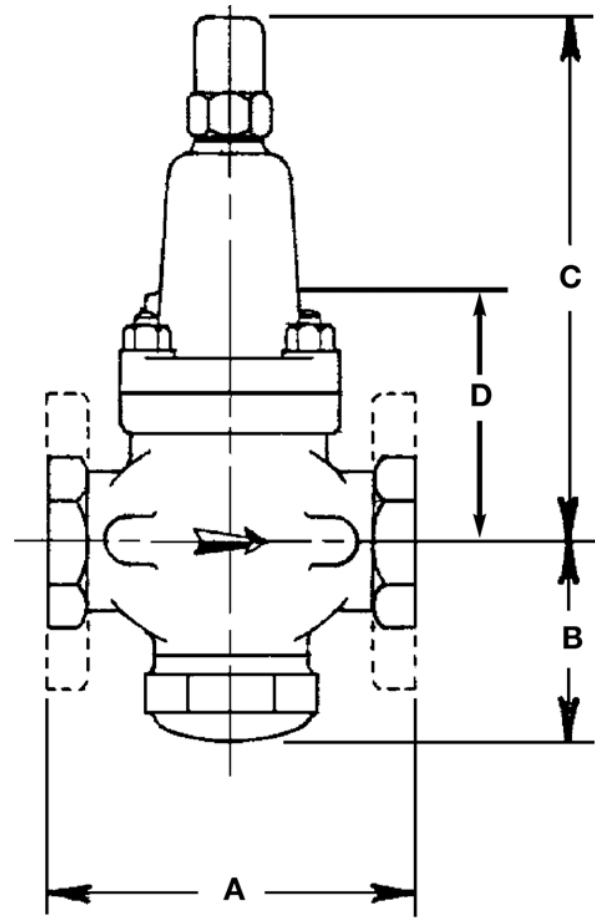
TYPE N6 DIFFERENTIAL PRESSURE VALVE

SPECIFICATIONS

Valve to maintain pump discharge pressure at a constant differential. Valve to be suitable for 250 psig and 350°F. Body to be of cast iron. Trim to be stainless steel. Spring to be enclosed to prevent contamination. Adjusting screw shall be protected by cap and to be easily accessible. Piston and disc to be balanced construction.

MATERIALS OF CONSTRUCTION

Body, Cast Iron ASTM 126 C. B
 Stem 303 St. Stl. ASTM 582 Cond. A
 Disc 420 St. Stl. ASTM 276 Cond. A
 Seat Ring 420 St. Stl. ASTM 276 Cond. A
 Piston 303 St. Stl. ASTM 582 Cond. A
 Sealing Ring Viton
 Gasket Graphite
 Spring St. Stl. 17-4



N6 DIFFERENTIAL PRESSURE VALVE

TYPE N6 DIFFERENTIAL PRESSURE VALVE

DIMENSIONS inches (mm) AND WEIGHTS pounds (kg)

SIZE	A		B	C	D	APPROX. WT.	
	ANSI NPT	ANSI 250				ANSI NPT	ANSI 250
3/4 (19)	4 3/4 (121)	—	2 3/4 (70)	7 1/2 (190)	3 (76)	10 (4.5)	—
1 (25)	5 3/8 (137)	—	3 (76)	8 1/2 (216)	3 5/8 (92)	12 (5.5)	—
1 1/4 (32)	6 1/2 (165)	—	3 5/8 (92)	9 3/8 (238)	3 7/8 (98)	19 (8.6)	—
1 1/2 (38)	7 1/4 (184)	—	3 3/4 (95)	10 7/8 (276)	4 1/4 (108)	26 (12)	—
2 (51)	7 1/2 (191)	—	4 3/8 (111)	11 7/8 (302)	4 7/8 (124)	39 (18)	—
2 1/2 (64)	—	10 (254)	4 1/2 (114)	14 3/8 (365)	5 3/8 (136)	—	74 (34)