



TYPE D & D2 PRESSURE REDUCING VALVE

SIZES 1/4" – 1/2"
PRESSURES to 600 PSIG at 750°F

- Self-contained
- Direct Operated
- Normally Open
- Packless Construction
- Accurate Regulation Unaffected by Service Conditions
- Easy In-line Maintenance
- Five Spring Ranges for Improved Control
- Utilizes Many Standard D/D2 Pilot Components

APPLICATION DATA

- Pressure Regulating for Steam Distribution
- Regulating for Fluid, Gas and Vapor Process Control
- Processes with Small, Relatively Steady Flow Rates

VALVE RATINGS

Construction	Pressure PSIG (bar)	Temperature °F (°C)
Cast Iron	250 (17.2)	@ 400 (204)
Cast Steel	600 (41.4)	@ 750 (400)

SPRING PRESSURE RANGES (PSIG)

TYPE D	TYPE D2
3-20	100-300
5-50	
10-100	
20-150	

Canadian Registration # OC 0591.9C

Installation Tip: Add Uniflex Pipe Coupling for ease of maintenance
Consult factory for pricing and availability

MODELS

- **TYPE D VALVE** for ±1 PSI control of delivery pressure between 3 and 150 PSI
- **TYPE D2 VALVE** for ±2 PSI control of delivery pressure between 100 and 300 PSI

OPTIONS

- Enclosed Spring Chamber
- Adjusting Handwheel
- Composition Disc
- Locking Device
- Wall Bracket

TYPICAL CONFIGURATIONS

PRESSURE REDUCINGTYPE D VALVE

PRESSURE REDUCINGTYPE D2 VALVE

RATED FLOW COEFFICIENTS (Cv)

		VALVE SIZE		
Cv	1/4	1/2	3/8	
		0.25	0.32	0.32

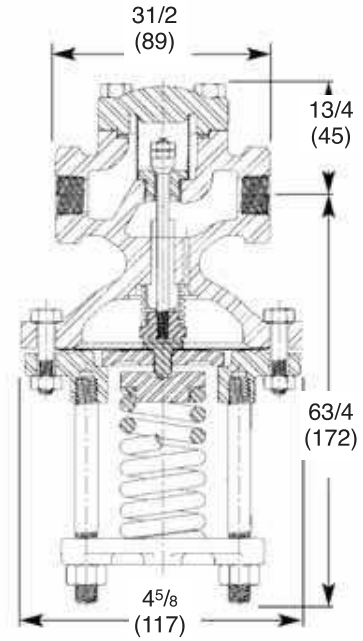
TYPE D & D2 PRESSURE REDUCING VALVE

SPECIFICATION

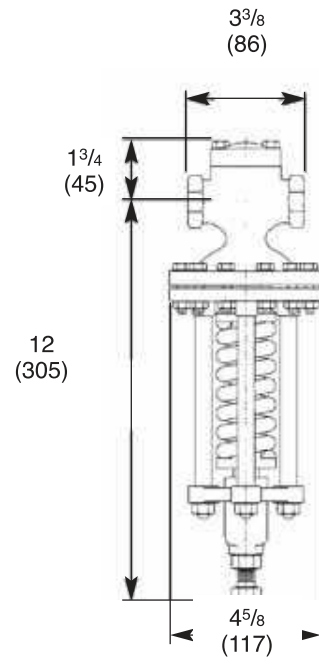
The Valve shall be of normally open design with packless construction. A strainer Screen shall be built into the valve inlet. The valve shall be single- seated, spring loaded and diaphragm actuated.

MATERIALS OF CONSTRUCTION

Body, Cast Iron	ASTM A126 CI B
Body, Cast Steel	ASTM A216 GR. WCB
Stem	303 St. Stl. ASTM A582 COND A
Disc	440 St. St. ASTM A276-75 COND A
Seat	420 St. Stl ASTM A276 COND A
Gasket	Non-Asbestos
Diaphragm	301 St. Stl. MIL-5-5059C
Spring	Inconel



D VALVE
7.3 LBS.
(3.3 KG)



D2 VALVE
10.6 LBS.
(4.8 KG)

**D & D2 PRESSURE
REDUCING VALVE**