

SECTION II

CONTROL

VALVES

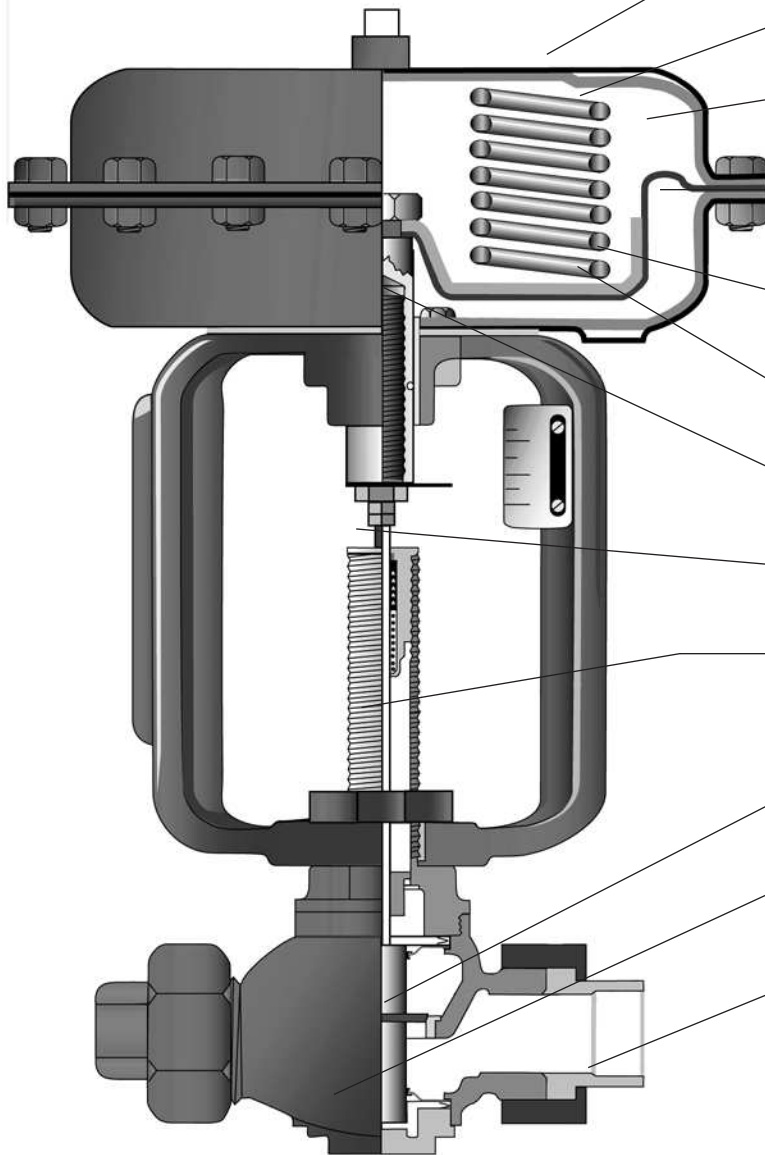
Applications

- Bottle Washing Machinery
- Steam Tables
- Plating Tanks
- Heating Ducts
- Fuel Oil Heaters
- Cooking Vats
- Heat Exchangers
- Induction Furnaces
- Industrial Compressors
- Cold Storage Boxes
- Cooling Ducts
- Engine Jacket Cooling
- Liquid Chillers
- Water Heaters
- Parts Washers

KOMBAT K1 Pneumatic Control Valve

**Pressures To 400 PSIG
Temperatures to 400°F**

KOMBAT K1
FEATURES



High-thrust Compact Actuator

offers the muscle required to positively position plug in response to control signal

Fixed Actuator 3-15 Spring Ranges

conform to standard controller outputs

36 and 60 sq. in. Actuator Sizes

with stainless steel internals match different operating conditions

Bolted Diaphragm Joint

for maximum strength, ease of maintenance and high-pressure tightness

Molded Reinforced Rolling Diaphragm

provides linearity of diaphragm loading pressure to valve travel for accuracy of control

Corrosion Protected Multiple Springs

for lower hysteresis and minimal deadband

Low Friction Actuator Design

for accurate repetitive positioning

Low Friction Burnished Stem

provides precise control and long life

Spring Loaded Chevron Type Packing Assembly

eliminates leakage which reduces maintenance

Erosion Resistant Stainless Steel Seat Rings and Disc

for precise flow control and long life

High Capacity Bronze Body

minimizes turbulence and pressure drop

Galvanized Iron Union Ends

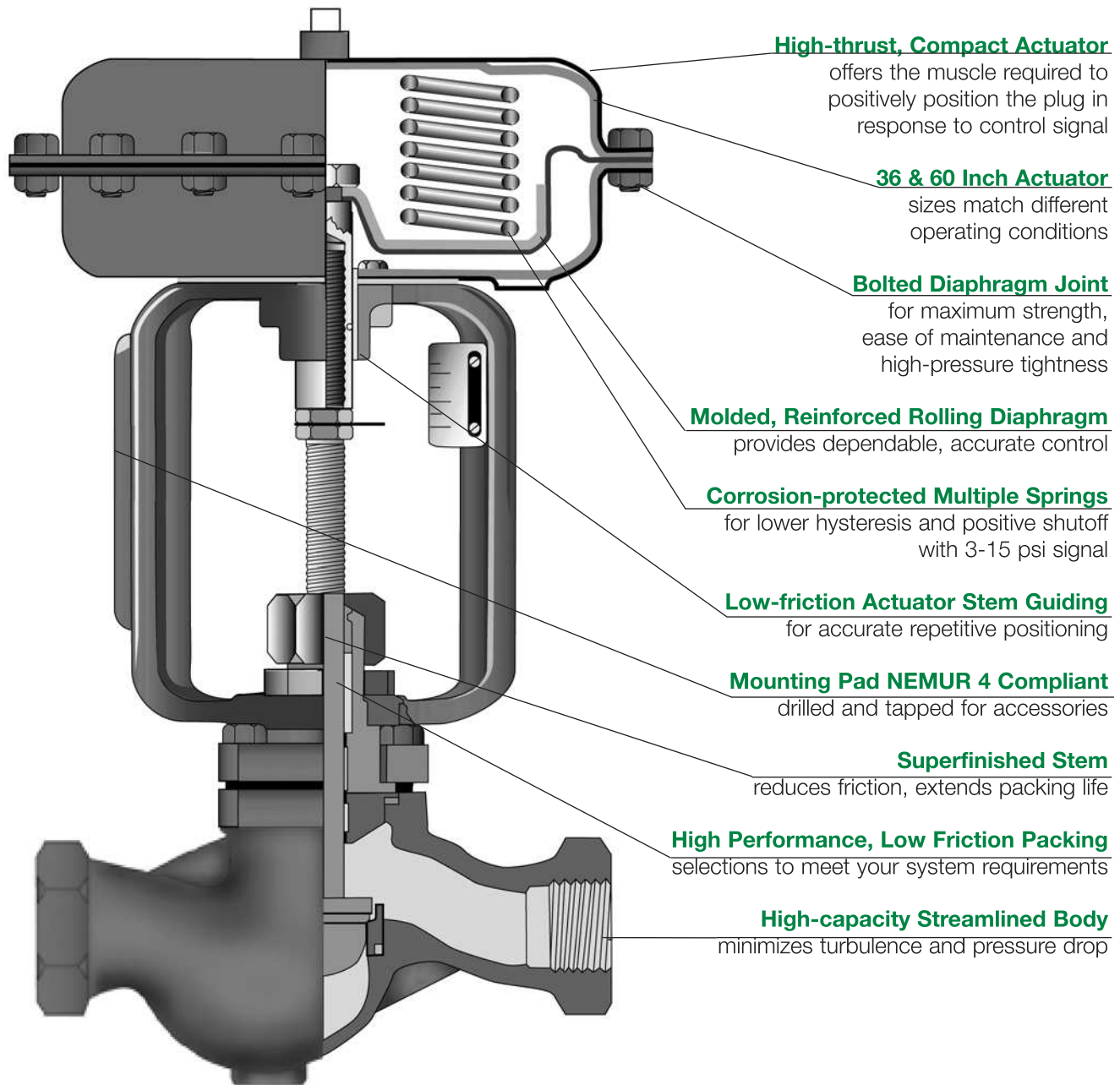
for easy installation

Applications

- Process control systems for food, pulp and paper, chemical, petrochemical & other industries
- HVAC systems
- Feed water and fuel system controls in boiler rooms
- Packaged systems (OEM) such as heat exchangers, water purification systems & vaporizer, metal cleaning and plating

INTIMIDATOR Type J Control Valve

Pressures to 1440 PSIG
Temperatures to 600°F



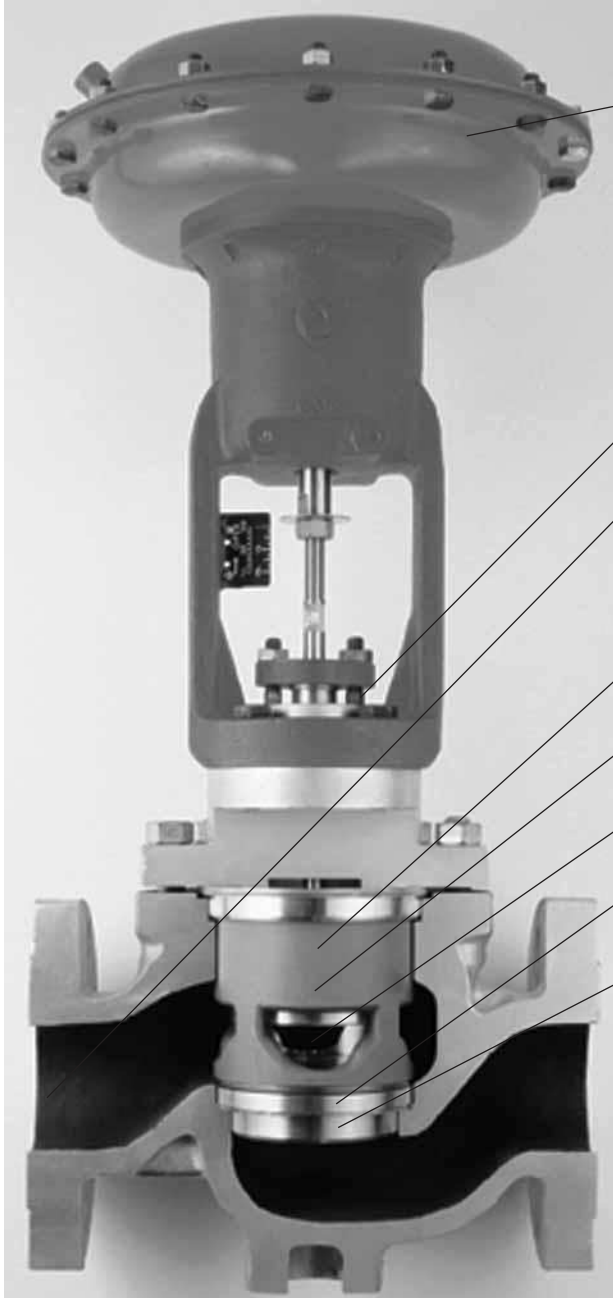
INTIMIDATOR TYPE J
FEATURES

Applications

- Process control systems for food, pulp and paper, chemical, petrochemical & other industries
- HVAC systems
- Feed water and fuel system controls in boiler rooms
- Packaged systems (OEM) such as heat exchangers, water purification systems & vaporizer, metal cleaning and plating

BOSS Series D Control Valve

Pressures to 1550 PSIG
Temperatures to 800°F



Ultra Compact Actuators
install in tight spaces

Bolted Actuator Yoke
Four bolt mounting
guarantees easy disassembly

High Flow Capacities
Valve body flow areas 42% of
pipe area, reducing velocities
and pressure loss

Multiple Cage Options
for maximum versatility

Hung Cage Design
eliminates problems
associated with fixed cages

Rugged Piston Seal
with three times the wear
surface of competitive valves
for long lasting leak tight seal

Hardened Stainless Steel Trim
provides twice the service
life of 316 stainless trim

Controlled Seat Loading
maintains constant seat gasket load

Balanced Plug Design
provides smooth high pressure control

Tighter Shutoffs to Class VI
Superior design provides
exceptional performance up to Class VI

BOSS SERIES D
FEATURES