

Series 75

Sanitary Multi-Port Ball Valve

Features

- 1000 WOG (1/2" - 2")
- 800 WOG (3")
- L or T Port Solid Ball
- Clamp ends
- Blow-out proof stem
- Locking handle
- 20RA polished ball and ends
- Optional TFM Cavity Filled Seats
- ISO 5211 mounting pad

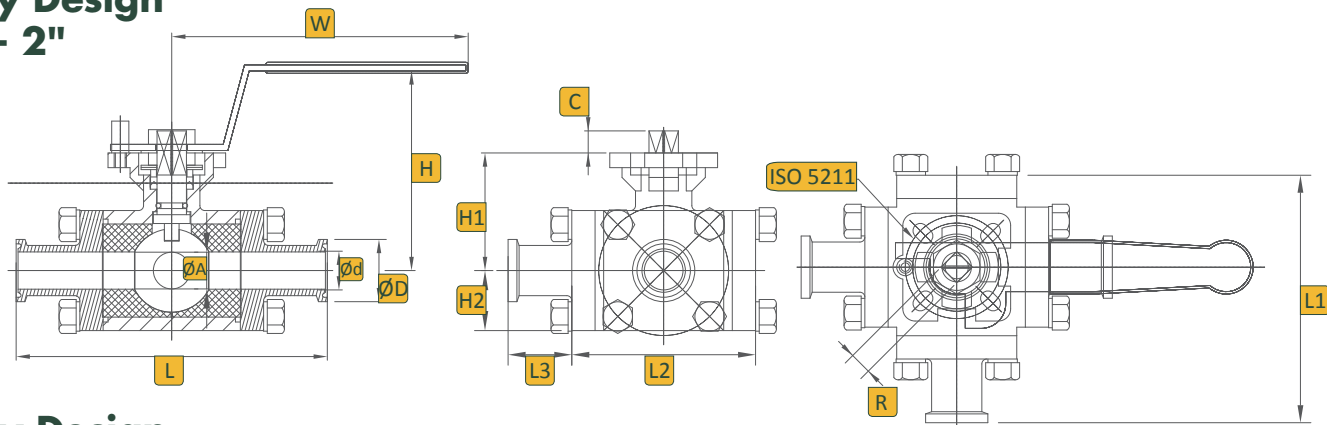


Valves, Automation & Controls

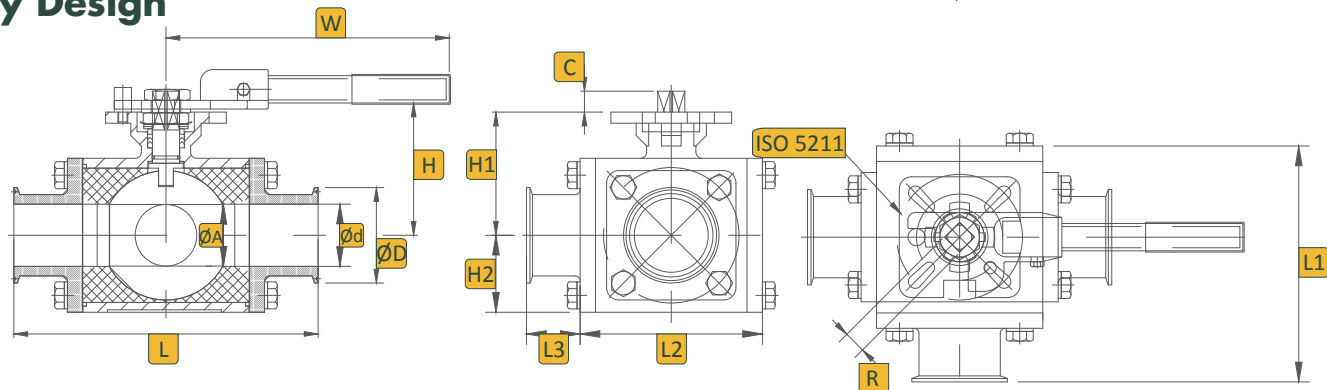


Dimensions

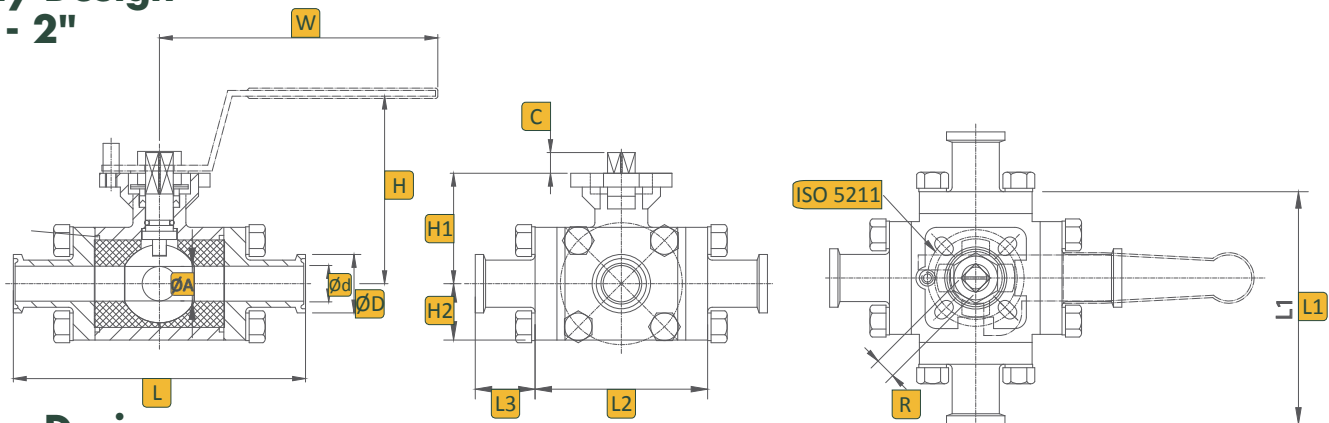
3-Way Design 1/2" - 2"



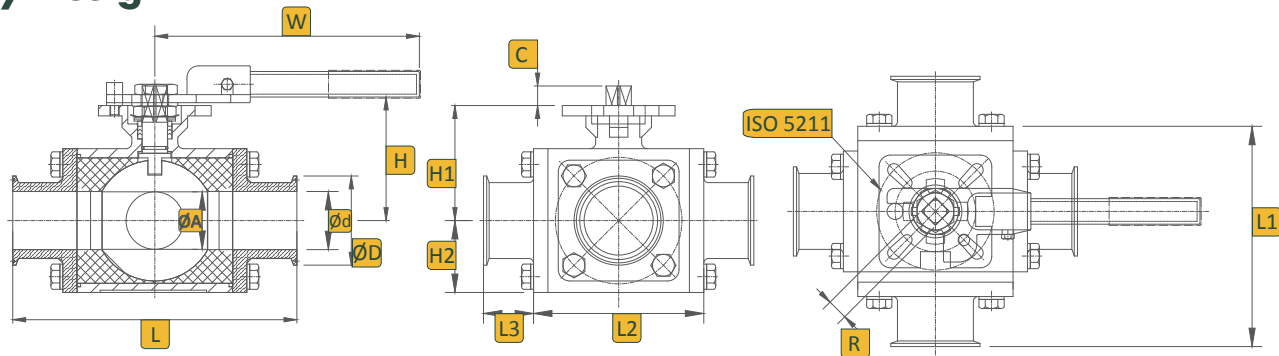
3-Way Design 3"



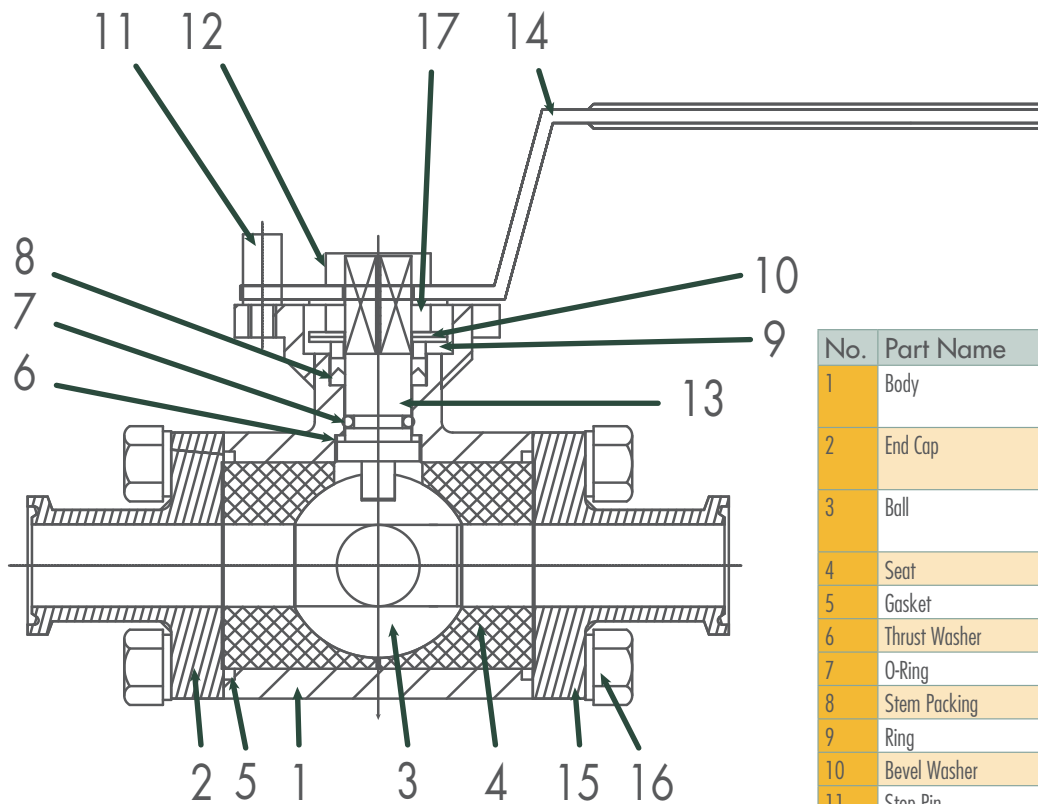
4-Way Design 1/2" - 2"



4-Way Design 3"



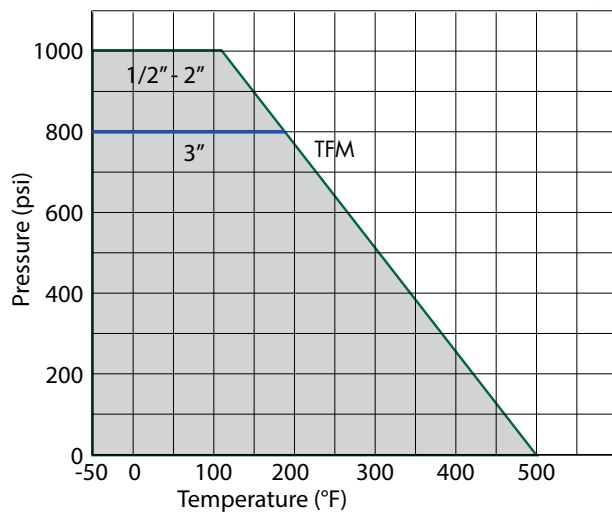
Size	L	L1	L2	L3	H	H1	H2	ØA	Ød	ØD	C	W	ISO	R
1/2	4.65	3.58	2.66	0.92	3.07	1.75	0.93	0.37	0.37	1.00	0.35	4.76	F03 / F04	M12*1.75 - 9
3/4	5.00	3.88	2.87	1.00	3.23	1.89	1.02	0.62	0.62	1.00	0.35	4.76	F03 / F04	M12*1.75 - 9
1	6.00	4.62	3.33	1.30	3.54	2.32	1.20	0.87	0.87	0.80	0.43	5.39	F04 / F05	M14*P2 - 11
1-1/2	6.89	5.48	4.21	1.27	4.09	2.83	1.57	1.38	1.38	1.98	0.55	7.17	F05 / F07	M18*P2.5 - 14
2	7.93	6.55	5.18	1.37	4.51	3.23	1.97	1.87	1.87	2.52	0.55	7.17	F05 / F07	M18*P2.5 - 14
3	10.26	8.03	6.18	1.85	5.28	4.94	2.91	2.87	2.87	3.58	0.91	15.75	F10 / F12	1-1/8*12UNF



No.	Part Name	Qty	Material
1	Body	1	316 Stainless Steel, ASTM A351 CF8M, 316L Stainless Steel ASTM A351 CF3M
2	End Cap	1	316 Stainless Steel, ASTM A351 CF8M, 316L Stainless Steel ASTM A351 CF3M
3	Ball	1	316 Stainless Steel, ASTM A351 CF8M, 316L Stainless Steel ASTM A351 CF3M
4	Seat	2	TFM / TFM Cavity Fill
5	Gasket	2	PTFE
6	Thrust Washer	1	PTFE
7	O-Ring	1	Viton
8	Stem Packing	1	PTFE
9	Ring	1	304 Stainless Steel / 316 Stainless Steel
10	Bevel Washer	2	301 Stainless Steel
11	Stop Pin	1	316 Stainless Steel
12	Nut	1	304 Stainless Steel
13	Stem	1	316 Stainless Steel
14	Handle	1	304 Stainless Steel
15	Spring Washer	16	304 Stainless Steel
16	Bolt	16	304 Stainless Steel
17	Prevaling	1	PVEICE / 304 Stainless Steel

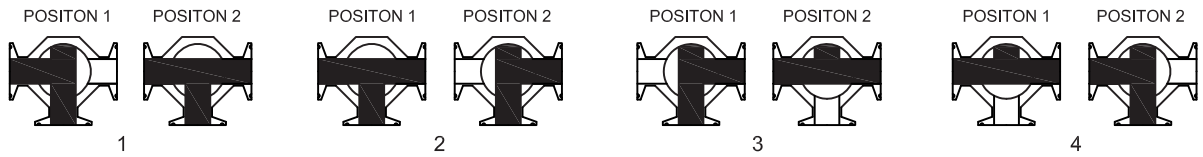
Technical Information

Pressure Temperature Rating

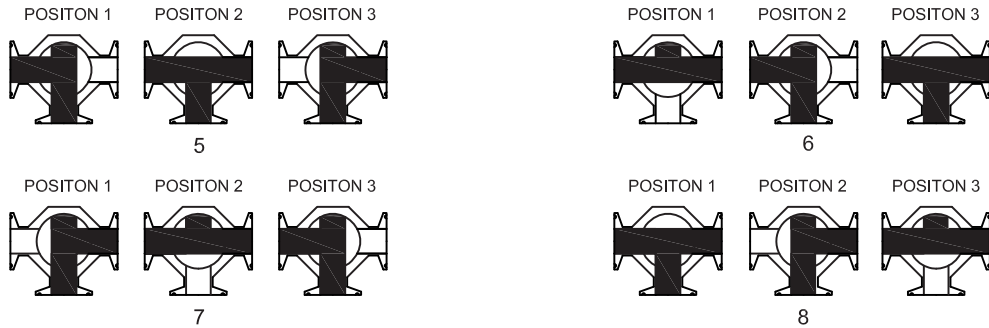


Size	Torque in/lbs
1/2	79
3/4	85
1	110
1-1/2	290
2	680
3	1597

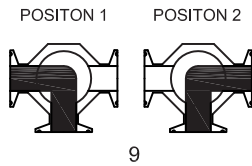
T- PORT 90° TURN



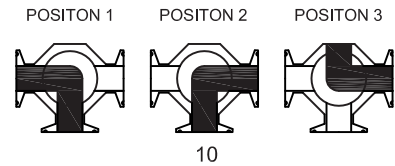
T- PORT 180° TURN



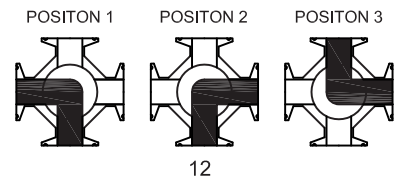
L - PORT 90° TURN



L - PORT 180° TURN



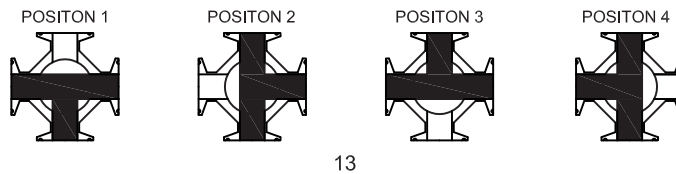
L - PORT 180° TURN



4 - WAY VALVES

Optional Plans Available
Using T.L and Standard Ball
Consult Factory

4 - WAY T-PORT 270° TURN



Ordering

Fig: 2 - 75 - 6 - 6 - M - T - 8 - CE - 4

Description: 2" - 75 - 316 Body & Ends - 316 Ball & Stem - TFM Seat - PTFE Seal - 316L Clamp Ends - Flow Plan 4

Size	Series	Body	Ball & Stem	Seat	Seal	Ends	Ends	Flow Plan	Options						
1/2	75	6	316 Stainless Steel	M	TFM Seat	T	PTFE	8	316L Stainless Steel	CE	Clamp Ends	1	EP	Electro Polish	
3/4		8	316L Stainless Steel	C	TFM Cavity Fill							2	X	Oxygen Service	
1													3	3	15RA Polish
1-1/2													4		
2													5		
2													6		
3													7		
												8			
												9			
												10			
												12			
												13			