

Series 60

Class 2500 Ball Valve

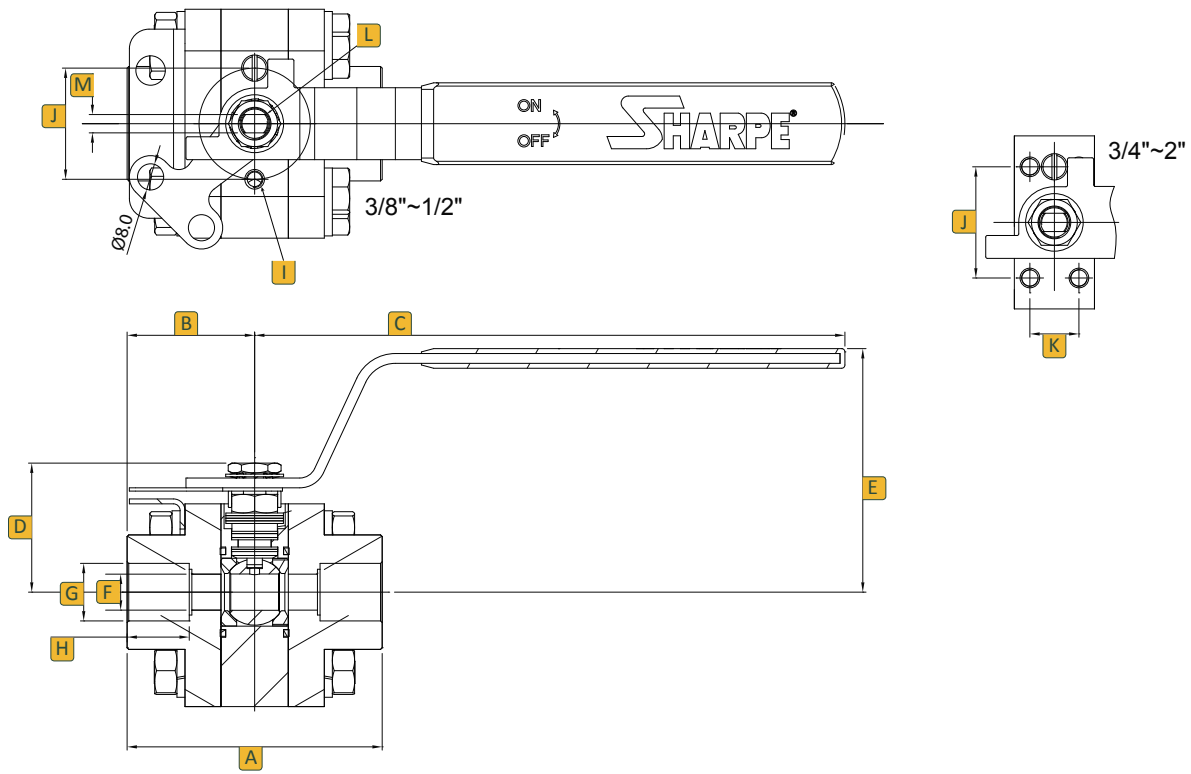


Valves, Automation & Controls

Features

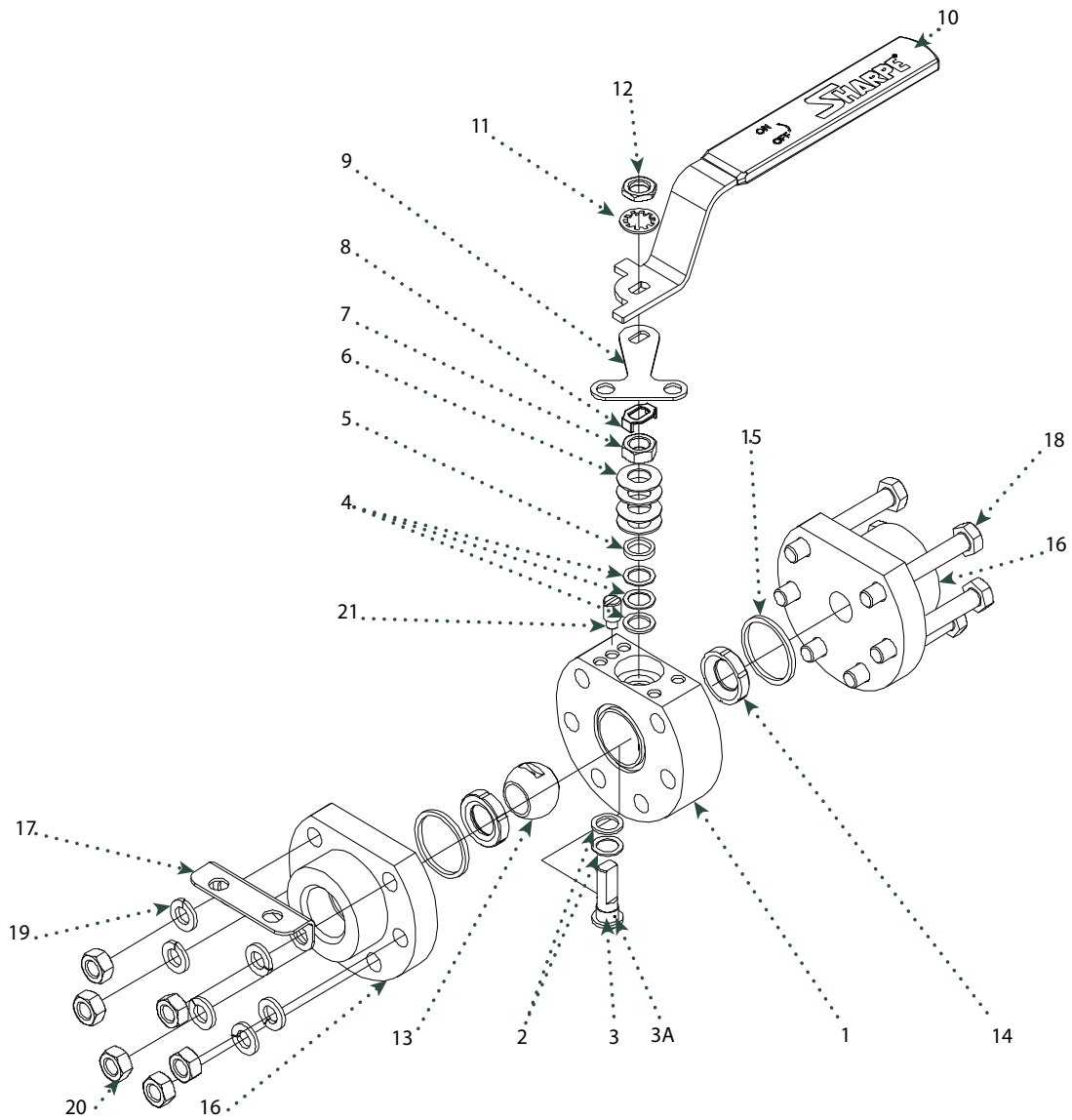
- ASME B16.34 design
- Class 2500
- NACE MR0175 compliant
- Blow-out proof stem
- 17-4PH high strength stem
- Anti-static
- Live loaded stem
- Encapsulated body seals
- ISO 5211 mounting pad
- Locking handle
- Relief slot in seat
- Choice of seats and seals
- Floating ball design





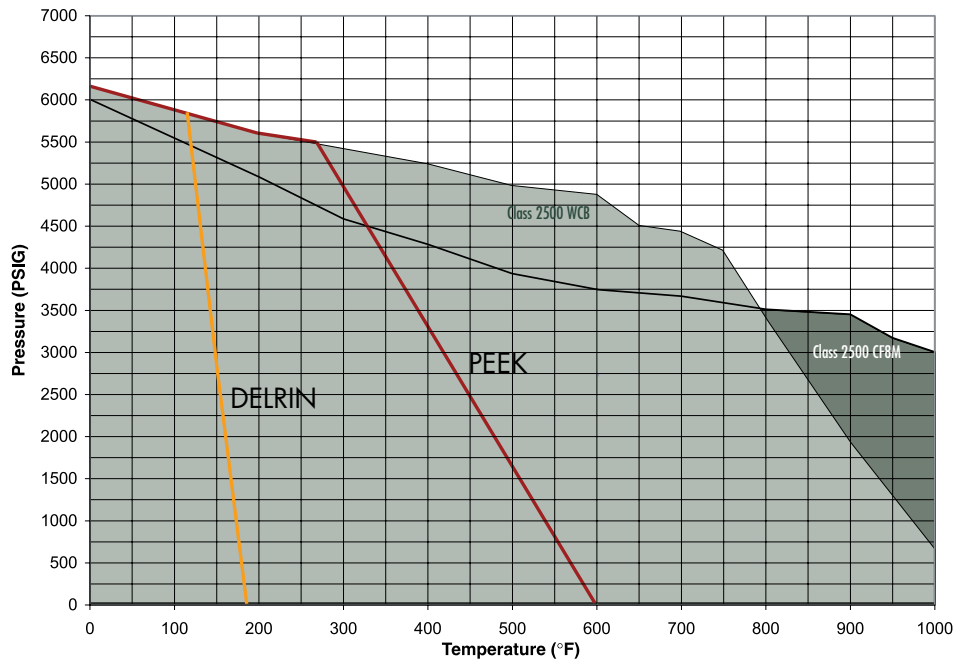
Dimensions (Inches)

| Size | A | B | C | D | E | F | G | H | I | J | K | L | M |
|-------|------|------|-------|------|------|------|------|------|------|------|------|-------------|------|
| 1/4 | 3.07 | 1.53 | 7.11 | 1.55 | 2.93 | 0.43 | 0.69 | 0.74 | M5x2 | 1.34 | - | 3/8-24 UNF | 0.22 |
| 3/8 | 3.07 | 1.53 | 7.11 | 1.55 | 2.93 | 0.43 | 0.69 | 0.74 | M5x2 | 1.34 | - | 3/8-24 UNF | 0.22 |
| 1/2 | 3.07 | 1.53 | 7.11 | 1.55 | 2.93 | 0.43 | 0.85 | 0.71 | M5x2 | 1.34 | - | 3/8-24 UNF | 0.22 |
| 3/4 | 3.49 | 1.74 | 7.11 | 1.68 | 3.06 | 0.56 | 1.07 | 0.63 | M5x5 | 1.34 | 0.59 | 3/8-24 UNF | 0.22 |
| 1 | 4.00 | 2.00 | 7.69 | 2.16 | 2.48 | 0.81 | 1.33 | 0.98 | M5x5 | 1.65 | 0.94 | 7/16-20 UNF | 0.22 |
| 1-1/2 | 5.07 | 2.54 | 11.53 | 2.89 | 3.15 | 1.25 | 1.91 | 0.94 | M6x5 | 1.57 | 1.42 | 9/16-18 UNF | 0.30 |
| 2 | 6.14 | 3.07 | 11.53 | 3.08 | 3.29 | 1.50 | 2.41 | 1.06 | M6x5 | 1.97 | 1.57 | 9/16-18 UNF | 0.34 |



| No. | Part Name | Qty | Material |
|-----|----------------------|-----|--|
| 1 | Body | 1 | Carbon Steel ASTM A216 WCB or 316 Stainless Steel ASTM A351 CF8M |
| 2 | Thrust Bearing | 2 | Nova, Peek |
| 3 | Stem | 1 | 17-4PH |
| 3A | Anti-Static Device | 1 | 316 Stainless Steel |
| 4 | Stem Packing | 1 | Peek |
| 5 | Gland Packing | 1 | 304 Stainless Steel |
| 6 | Belleville Washer | 4 | 301 Stainless Steel |
| 7 | Packing Nut | 1 | 304 Stainless Steel |
| 8 | Lock Tab | 1 | 304 Stainless Steel |
| 9 | Upper Locking Device | 1 | 304 Stainless Steel |
| 10 | Handle | 1 | 304 Stainless Steel |
| 11 | Lock Washer | 1 | 304 Stainless Steel |
| 12 | Handle Nut | 1 | 304 Stainless Steel |
| 13 | Ball | 1 | 316 Stainless Steel |
| 14 | Seat | 2 | Delrin, Peek |
| 15 | Body Seal | 2 | Grafoil, Viton, PTFE |
| 16 | Pipe Ends | 2 | Carbon Steel ASTM A216 WCB or 316 Stainless Steel ASTM A351 CF8M |
| 17 | Lower Locking Device | 1 | 304 Stainless Steel |
| 18 | Body Bolts | 6 | B8 304 Stainless Steel |
| 19 | Body Washers | 6 | 304 Stainless Steel |
| 20 | Body Nuts | 6 | 316 Stainless Steel |
| 21 | Stop Pins | 1 | 304 Stainless Steel |

Class 2500 Temperature / Pressure Rating



| Size | Cv | Weight* |
|-------|-----|---------|
| 1/4 | 5 | 3.55 |
| 3/8 | 8 | 3.55 |
| 1/2 | 23 | 3.50 |
| 3/4 | 61 | 5.30 |
| 1 | 73 | 9.90 |
| 1-1/2 | 82 | 21.00 |
| 2 | 150 | 29.00 |

* Threaded and Socket Weld Valves

Ordering

Fig: 1 - 1/2 - 60 - 4 - 6 - D - T - TE

Description: 1-1/2" - 60 - Carbon Steel - 17-4PH Trim - Delrin Seat - TFE Seal - Threaded Ends

| Size | Series | Body & Ends | Trim | Seat | Seal | Ends | Options |
|-------|--------|-------------------|----------------------------|----------|-----------|--------------------------|--|
| 1/4 | 60 | 4 Carbon Steel | 6 Stainless Steel (17-4PH) | D Delrin | T TFE | TE Threaded | 1 ANSI CL1500 RF Flange 1J ANSI CL 1500 RTJ Flange 2 ANSI CL2500 RF Flange 2J ANSI CL2500 RTJ Flange 3 SAE J518 Flange E Extended Stem L Lockable Extended Stem D Leak Detection Stem GO Gear Operator |
| 3/8 | | 6 Stainless Steel | | P Peek | G Grafoil | SW Socket Weld | |
| 1/2 | | | | | V Viton | BW Butt-weld (Sch 160) | |
| 3/4 | | | | | | TS Threaded SAE | |
| 1 | | | | | | SWE Extended Socket Weld | |
| 1-1/2 | | | | | | | |
| 2 | | | | | | | |