

Series D54

Flanged Diverter Ball Valve

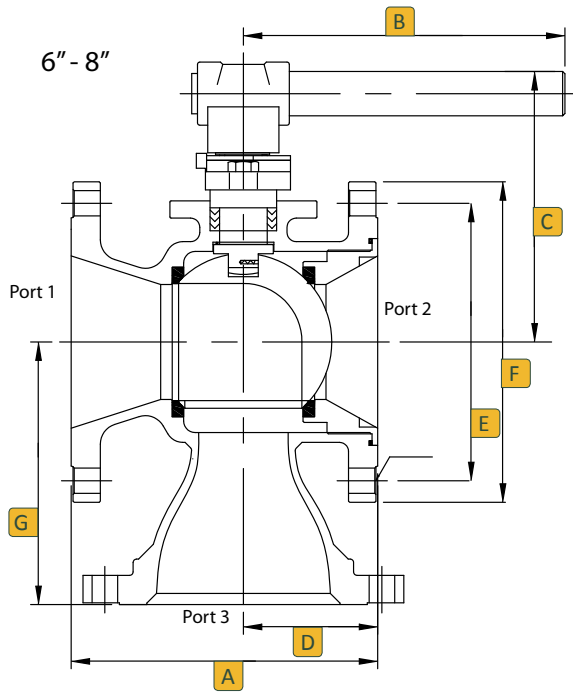
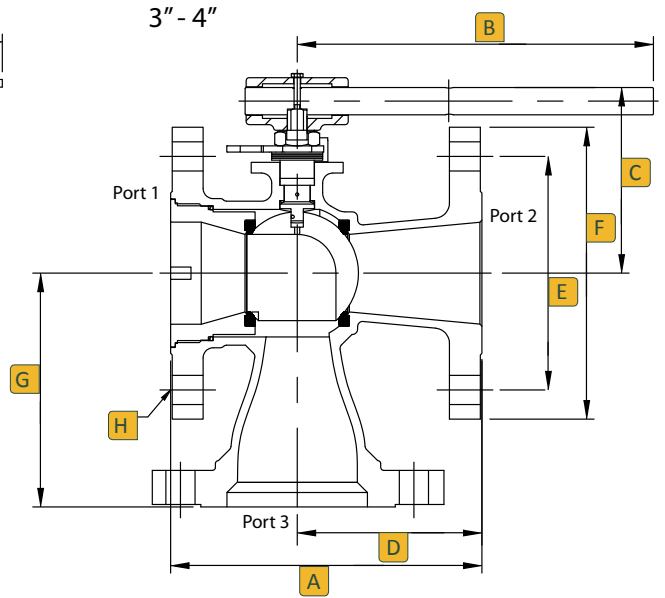
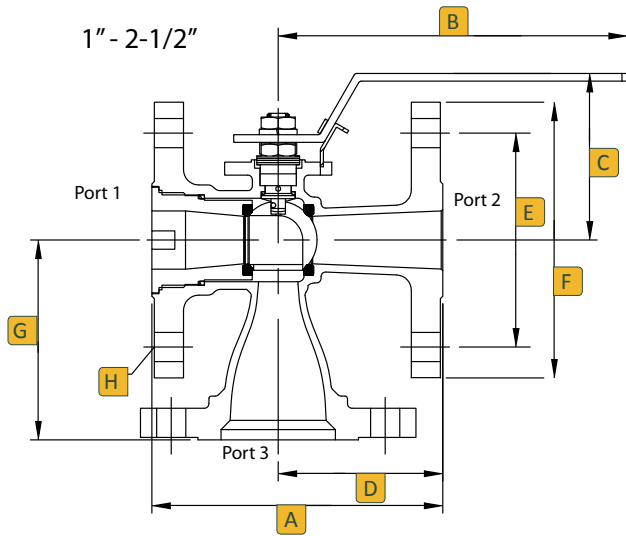


Valves, Automation & Controls

Features

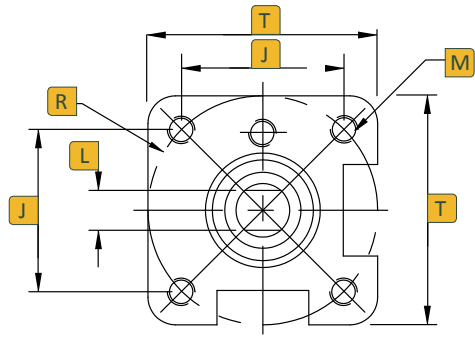
- Standard port
- Class 150
- Locking device
- Blow-out proof stem
- NACE MR-0175
- ISO 5211 mounting pad
- ASME B16.10 face to face (Port 1 to Port 2 only)
- ASME B16.34 shell wall thickness, basic design & pressure testing
- ASME B16.5 flange dimensions
- API 598 pressure testing (optional)



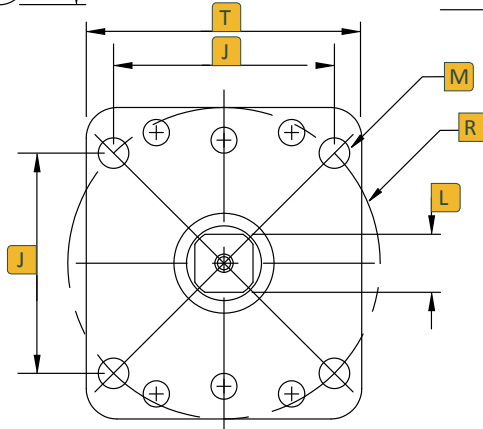


Size	A	B	C	D	E	F	G	H	L	Port 1	Port 2
1	5.00	4.75	3.60	2.50	3.12	4.25	3.13	4	0.63	0.75	0.62
1-1/2	6.50	6.30	4.00	3.64	3.88	5.00	4.00	4	0.63	1.25	1.00
2	7.00	8.98	4.50	4.41	4.75	6.00	5.00	4	0.75	1.50	1.25
2-1/2	7.50	9.00	5.50	3.94	5.50	7.00	5.50	4	0.75	2.00	1.50
3	8.00	13.74	6.57	4.00	6.00	7.50	6.00	4	0.75	2.50	2.07
4	9.00	13.74	6.95	4.49	7.50	9.00	7.15	4	0.75	3.00	2.47
6	10.50	25.60	9.27	4.61	9.50	11.00	9.00	8	0.86	4.00	3.07
8	11.50	25.60	10.43	5.85	11.75	13.50	11.00	8	0.86	6.00	4.02

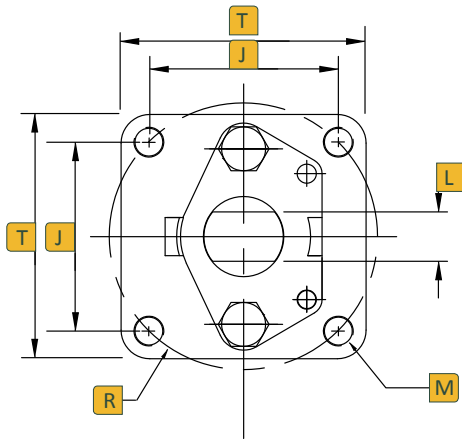
Dimensions



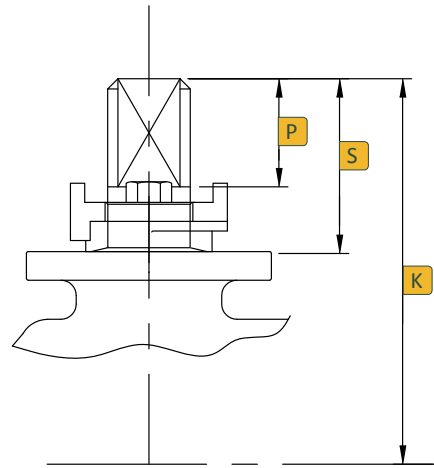
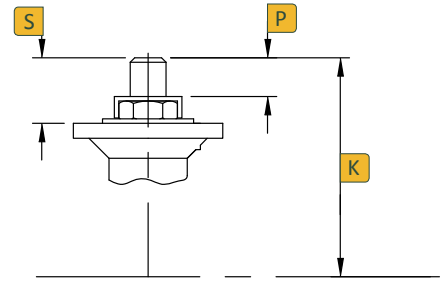
1" - 2-1/2"



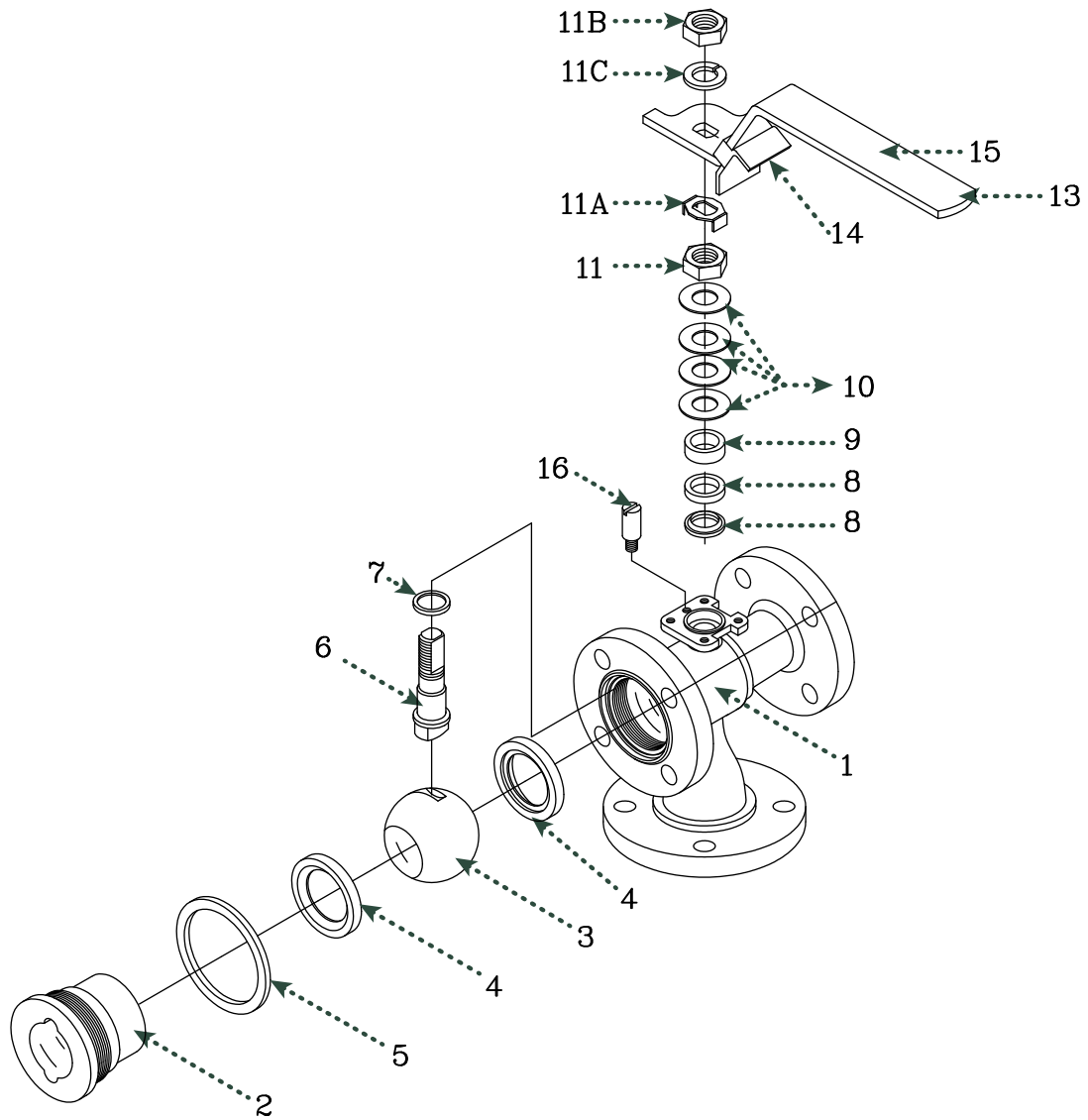
3" - 4"



6" - 8"



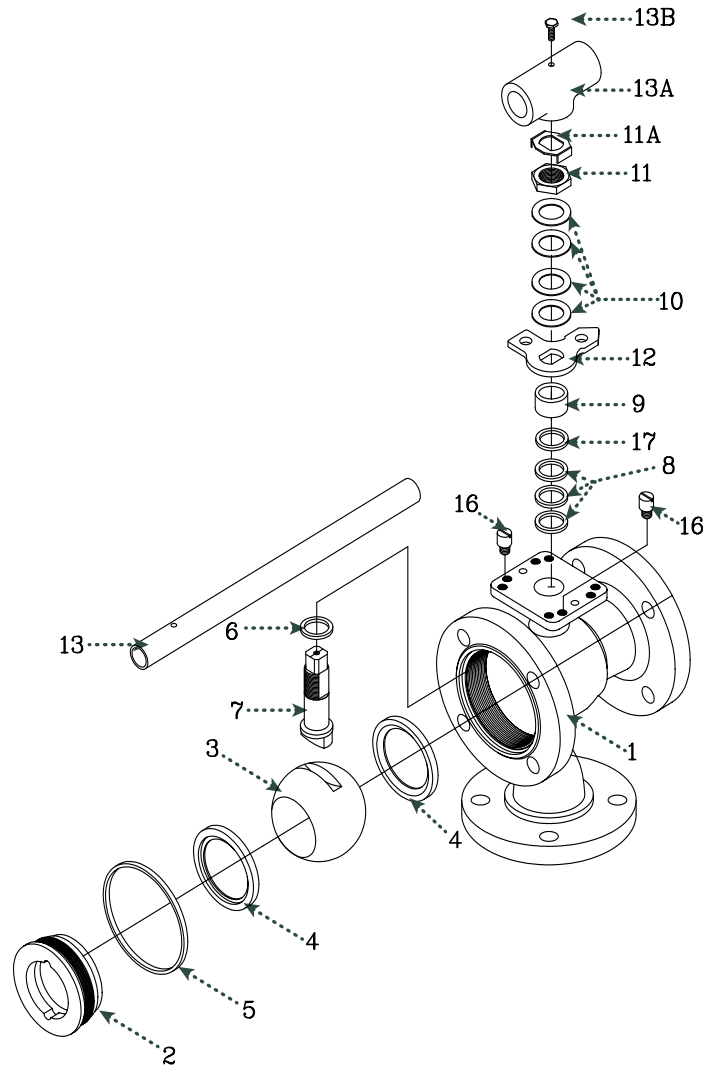
Size	J	K	L	M	P	R	S	T
1	1.39	2.22	0.23	M6 x 1.0	0.30	1.67	0.75	1.97
1-1/2	1.97	2.01	0.35	M8 x 1.25	0.42	2.75	0.83	2.75
2	1.95	2.36	0.35	M8 x 1.25	0.42	2.75	1.14	2.75
2-1/2	1.95	2.63	0.55	M8 x 1.25	0.69	2.75	1.19	2.75
3	2.84	5.71	0.75	M10 x 1.5	0.69	4.02	1.87	3.54
4	2.84	6.15	0.75	M10 x 1.5	0.69	4.02	1.87	3.54
6	2.84	8.22	1.02	5/8-18	1.69	4.02	3.07	4.02
8	3.48	10.44	1.02	M12 x 1.75	1.65	4.92	3.58	4.92



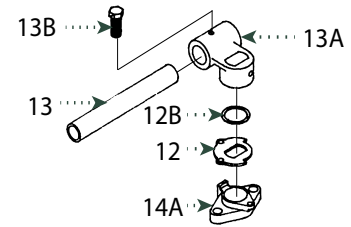
1" - 2-1/2"

No.	Part Name	Qty	Material
1	Body	1	Carbon Steel ASTM A216 WCB, 316 Stainless Steel ASTM A351 CF8M, Alloy 20 ASTM A351 CN7M
2	End	1	Carbon Steel ASTM A216 WCB, 316 Stainless Steel ASTM A351 CF8M, Alloy 20 ASTM A351 CN7M,
3	Ball	1	316 Stainless Steel, Alloy 20
4	Seat	2	TFM, PTFE, RTFE or Nova
5	Body Seal	1	PTFE
6	Stem	1	316 Stainless Steel, Alloy 20, or 17-4PH
7	Thrust Bearing	1	RTFE
8	Stem Packing	2/3	RTFE
9	Gland Packing	1	304 Stainless Steel
10	Belleville Washer (1" to 4")	4	304 Stainless Steel
11	Packing Nut (1" to 4")	1	304 Stainless Steel
11A	Lock Tab (1-1/2" to 4")	1	Stainless Steel

No.	Part Name	Qty	Material
11B	Handle Nut (1-1/2" to 2")	1	304 Stainless Steel
11C	Lock Washer	1	304 Stainless Steel (1-1/2" to 2")
12	Stopper	1	304 Stainless Steel
13	Handle	1	304 Stainless Steel (1-1/2" - 2") Galvanized Steel (2-1/2")
13A	Wrench Block	1	Stainless Steel
13B	Hex Head Bolt	1	304 Stainless Steel
14	Locking Device (1-1/2" & 2")	1	304 Stainless Steel
14A	Gland Flange	1	304 Stainless Steel
15	Sleeve	1	PVC
16	Stop Pin	1	304 Stainless Steel
17	Stem Packing Protector Ring	1	304 Stainless Steel



3" - 4"

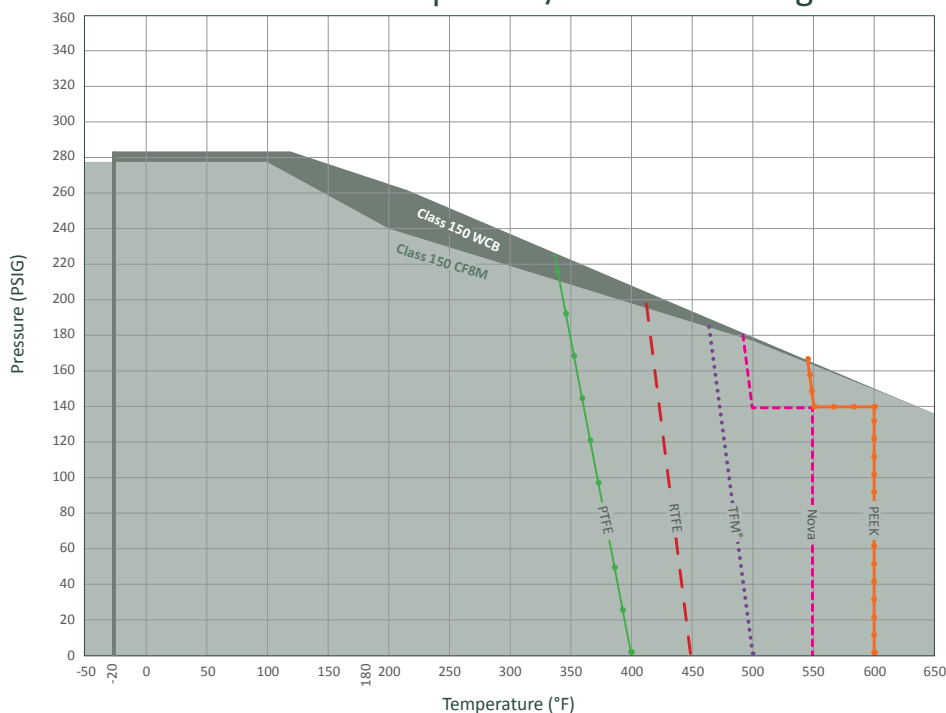


6" - 8"

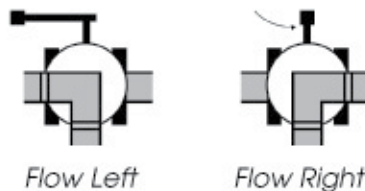
No.	Part Name	Qty	Material
1	Body	1	Carbon Steel ASTM A216 WCB, 316 Stainless Steel ASTM A351 CF8M, Alloy 20 ASTM A351 CN7M
2	End	1	Carbon Steel ASTM A216 WCB, 316 Stainless Steel ASTM A351 CF8M, Alloy 20 ASTM A351 CN7M,
3	Ball	1	316 Stainless Steel, Alloy 20
4	Seat	2	TFM, PTFE, RTFE or Nova
5	Body Seal	1	PTFE
6	Stem	1	316 Stainless Steel, Alloy 20, or 17-4PH
7	Thrust Bearing	1	RTFE
8	Stem Packing	2/3	RTFE
9	Gland Packing	1	304 Stainless Steel
10	Belleville Washer (1" to 4")	4	304 Stainless Steel
11	Packing Nut (1" to 4")	1	304 Stainless Steel
11A	Lock Tab (1-1/2" to 4")	1	Stainless Steel

No.	Part Name	Qty	Material
11B	Handle Nut (1-1/2" to 2")	1	304 Stainless Steel
11C	Lock Washer	1	304 Stainless Steel (1-1/2" to 2")
12	Stopper	1	304 Stainless Steel
13	Handle	1	304 Stainless Steel (1-1/2" - 2") Galvanized Steel (2-1/2")
13A	Wrench Block	1	Stainless Steel
13B	Hex Head Bolt	1	304 Stainless Steel
14	Locking Device (1-1/2" & 2")	1	304 Stainless Steel
14A	Gland Flange	1	304 Stainless Steel
15	Sleeve	1	PVC
16	Stop Pin	1	304 Stainless Steel
17	Stem Packing Protector Ring	1	304 Stainless Steel

Class 150 Temperature / Pressure Rating



P1: 90° Rotation flow from center to right or left



Ordering

Fig: 1 - 1/2 - D54 - 4 - R - P1

Description: 1-1/2" - D54 - 150# Ends - Carbon Steel Body - RTFE Seat - 90° Rotation flow from center to left or right

Size	Series	Class	Alloy	Seat	Options	Ball Configuration
1	D54	11 150#	4 Carbon Steel	T TFE	X Oxygen Service	P1 90° Rotation flow from center to left or right
1-1/2			6 Stainless Steel	R RTFE	OH Oval Handle	
2			2 Alloy 20	N Nova	F Fugitive Emissions Certified ANSI 593.00.01	
2-1/2				M TFM	E Extended Stem	
3				P Peek	L Lockable Handle	
4					D Leak Detection Stem	
6					GO Gear Operator	
8					7 17-4PH Stem	
				A NACE		