

Series 58876

1-Piece Ball Valve



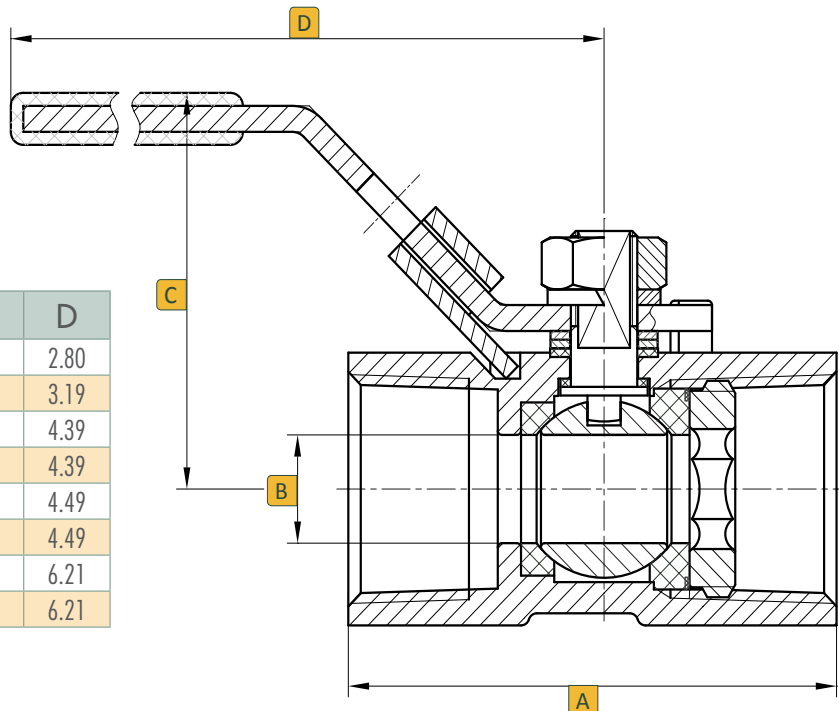
Valves, Automation & Controls

Features

- Unibody design
- Body 316 Stainless Steel ASTM A351 CF8M
- 800 WOG
- Blow-out proof stem
- Locking device
- NPT threaded ends
- Optional oval handle



Dimensions

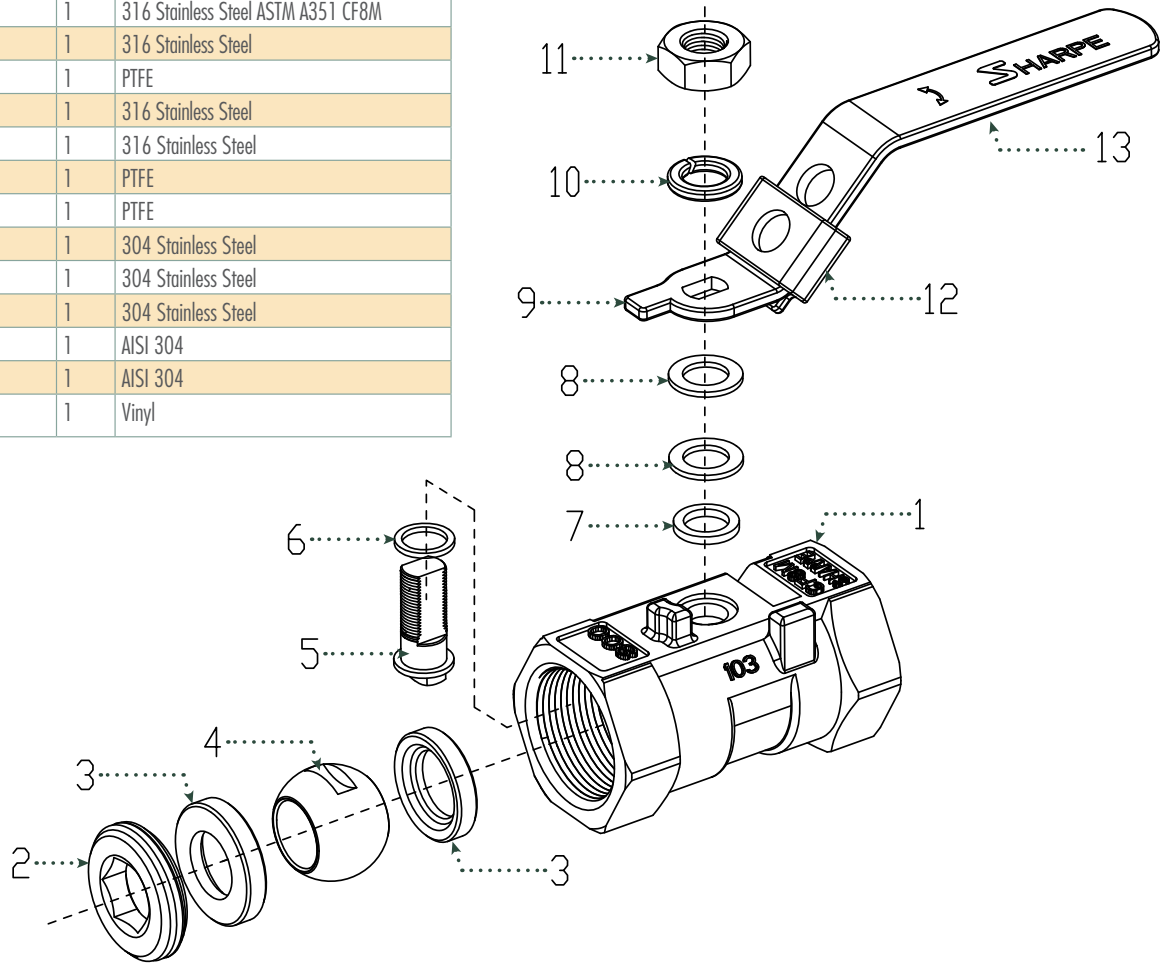


Dimensions (Inches)

Size	A	B	C	D
1/4	1.56	0.20	1.33	2.80
3/8	1.75	0.28	1.41	3.19
1/2	2.22	0.36	1.67	4.39
3/4	2.32	0.49	1.80	4.39
1	2.80	0.61	1.92	4.49
1-1/4	3.07	0.79	2.10	4.49
1-1/2	3.27	0.98	2.35	6.21
2	3.95	1.26	2.66	6.21

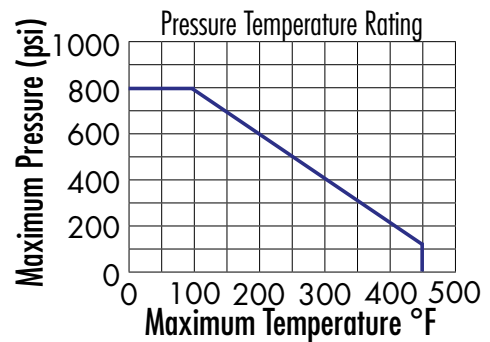
Parts & Materials

No.	Part Name	Qty	Material
1	Body	1	316 Stainless Steel ASTM A351 CF8M
2	Seat Retainer	1	316 Stainless Steel
3	Seat	1	PTFE
4	Ball	1	316 Stainless Steel
5	Stem	1	316 Stainless Steel
6	Thrust Washer	1	PTFE
7	Gland Washer	1	PTFE
8	Stem Washer	1	304 Stainless Steel
9	Handle	1	304 Stainless Steel
10	Lock Washer	1	304 Stainless Steel
11	Stem Nut	1	AISI 304
12	Locking Device	1	AISI 304
13	Handle Sleeve	1	Vinyl



Technical Information

Size	CV	Weight
1/4	1.0	0.15
3/8	2.50	0.24
1/2	5.5	0.37
3/4	10.0	0.55
1	15.5	0.95
1-1/4	20.0	1.53
1-1/2	37.0	1.89
2	60.0	3.34



Ordering

Fig: 1/2 - 58876 - OH
Description: 1/2" - Series 58876 - Oval Handle

Size	Series	Options
1/4	58876	OH Oval Handle
3/8		
1/2		
3/4		
1		
1-1/4		
1-1/2		
2		

Due to continuous development of our product range, we reserve the right to change the dimensions and information for this product as required.