

Series 3903

3-Piece Ball Valve

SHARPE[®]

Valves, Automation & Controls

Features

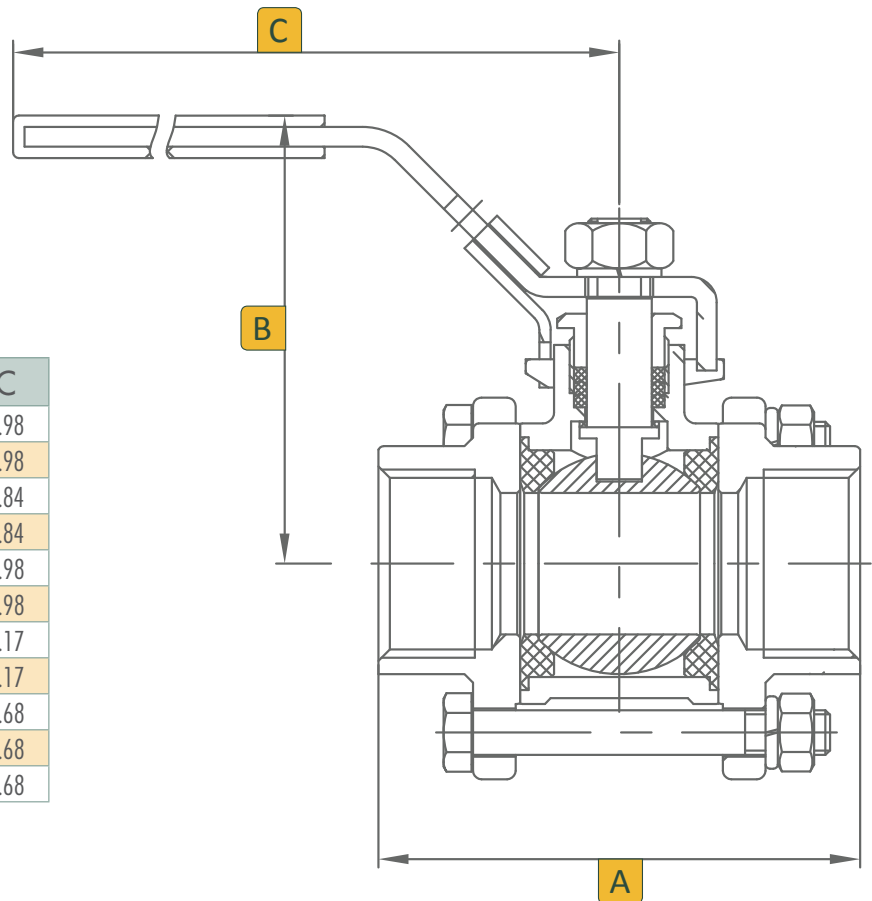
- Full port
- 1000 WOG
- Blow-out proof stem
- Locking device
- ASME B16.11 socket weld and threaded ends
- ASME B16.34
- Optional oval handle



Dimensions

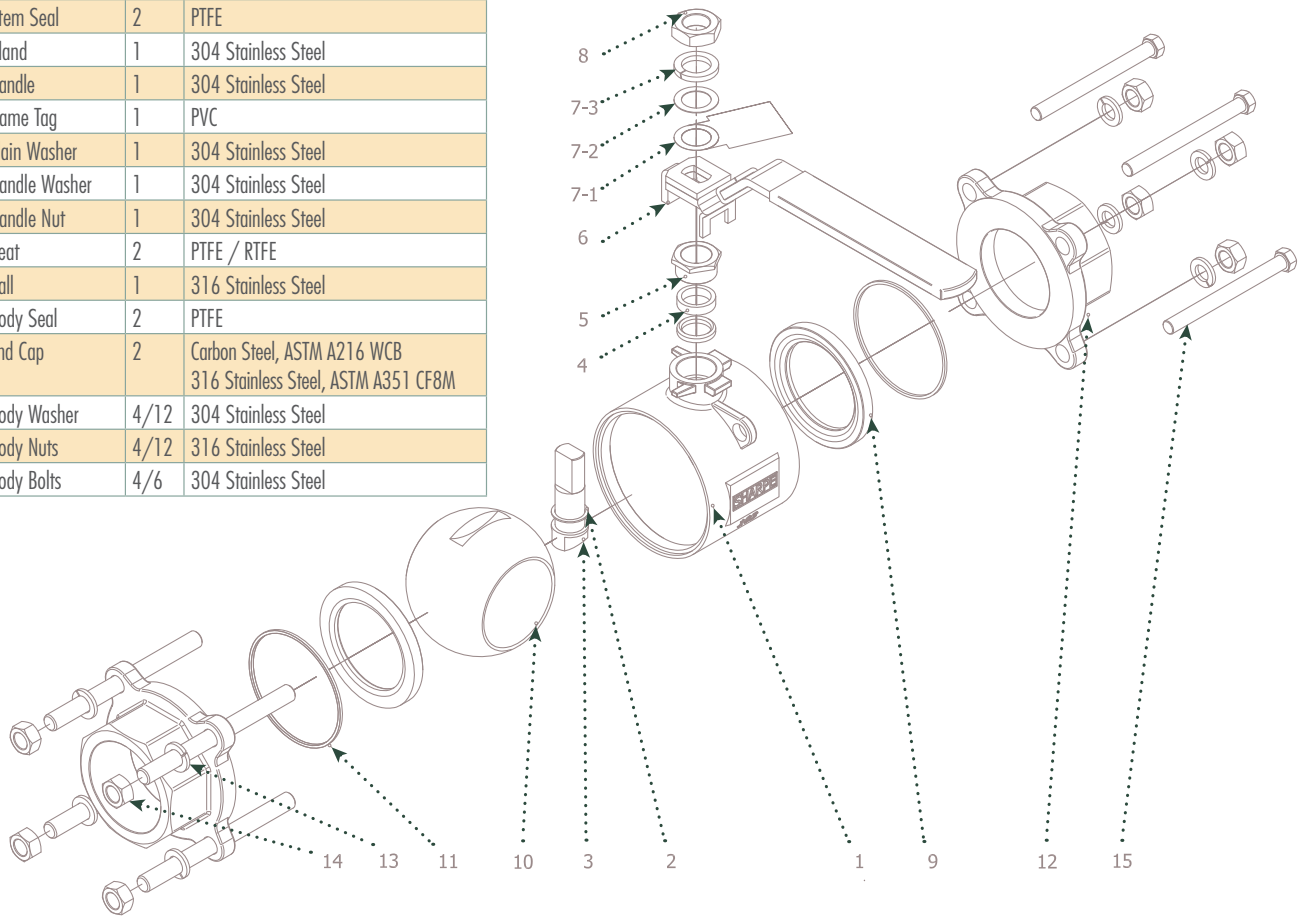
Dimensions (Inches)

Size	A	B	C
1/4	2.28	2.20	3.98
3/8	2.28	2.20	3.98
1/2	2.48	2.54	4.84
3/4	2.87	2.66	4.84
1	3.35	3.11	5.98
1-1/4	3.78	3.29	5.98
1-1/2	4.49	3.62	7.17
2	5.28	3.90	7.17
2-1/2	7.09	5.35	9.68
3	7.87	5.75	9.68
4	8.98	6.67	9.68



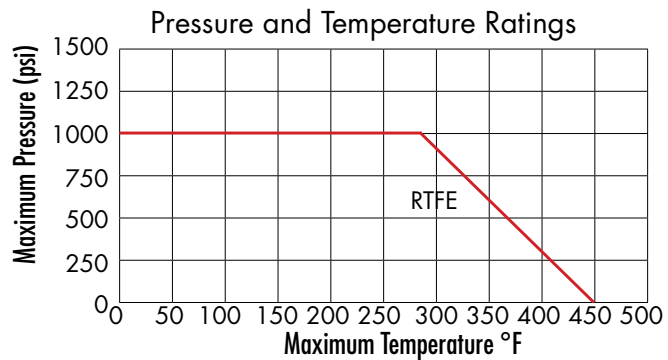
Parts & Materials

No.	Part Name	Qty	Material
1	Body	1	Carbon Steel, ASTM A216 WCB 316 Stainless Steel, ASTM A351 CF8M
2	Thrust Washer	1	PTFE
3	Stem	1	316 Stainless Steel
4	Stem Seal	2	PTFE
5	Gland	1	304 Stainless Steel
6	Handle	1	304 Stainless Steel
7-1	Name Tag	1	PVC
7-2	Plain Washer	1	304 Stainless Steel
7-3	Handle Washer	1	304 Stainless Steel
8	Handle Nut	1	304 Stainless Steel
9	Seat	2	PTFE / RTFE
10	Ball	1	316 Stainless Steel
11	Body Seal	2	PTFE
12	End Cap	2	Carbon Steel, ASTM A216 WCB 316 Stainless Steel, ASTM A351 CF8M
13	Body Washer	4/12	304 Stainless Steel
14	Body Nuts	4/12	316 Stainless Steel
15	Body Bolts	4/6	304 Stainless Steel



Technical Information

Size	Cv	Weight
1/4	20	0.7
3/8	25	0.6
1/2	28	1.1
3/4	50	1.4
1	70	2.0
1-1/4	112	2.8
1-1/2	170	4.2
2	395	7.3
2-1/2	835	15.90
3	860	27.70
4	1780	43.10



Ordering

Size		Series	Body & Ends	Ends	Options
1/4	1-1/2	3903	4 Carbon Steel	TE Threaded	OH Oval Handle
3/8	2		6 316 Stainless Steel	SW Socket Weld	
1/2	2-1/2				
3/4	3				
1	4				
1-1/4					

Fig: 1/2 - 3903 - 6 - TE
Description: 1/2" - Series 3903 - 316 Body - Threaded

SHARPE - SERIES 3903 | 3-Piece Ball Valve
 Toll Free (877) 774-2773 | Local (708) 562-9221 | Fax (708) 562-0890 | www.sharpevalves.com