

Series 30276

Gate Valve

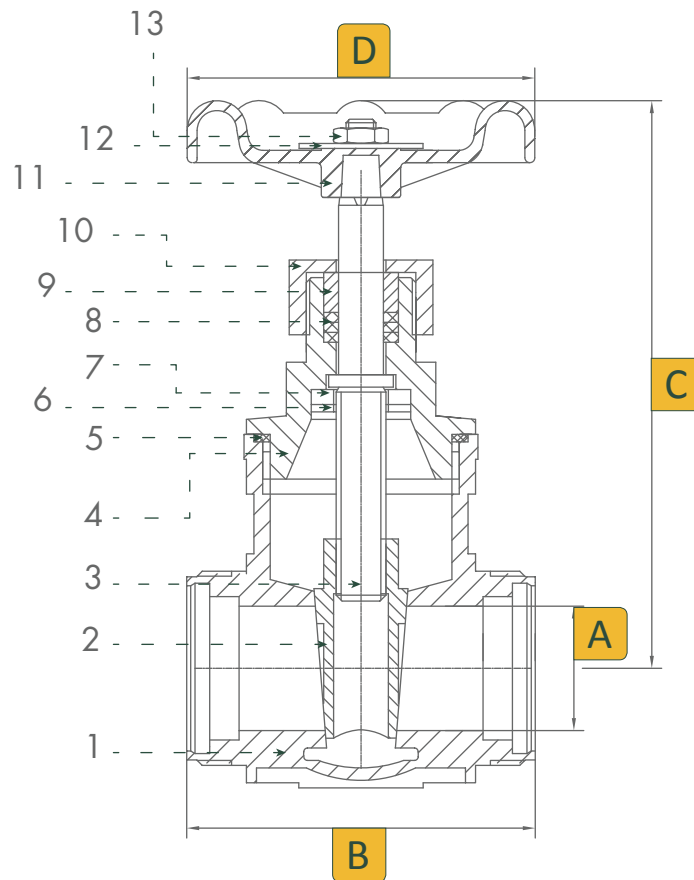
Features

- 200 WOG @ 350 °F
- 316 stainless steel
- Screwed bonnet
- Solid wedge disc
- Non-rising stem
- Hydrostatic shell test at 300 psi
- Hydrostatic seat test at 220 psi
- Threaded or socket weld ends



Valves, Automation & Controls





Dimensions (Inches)

Size	A	B	C	D
1/2	0.59	2.16	4.76	2.76
3/4	0.79	2.36	5.04	2.76
1	0.98	2.68	5.43	3.15
1-1/4	1.26	2.99	6.10	3.15
1-1/2	1.56	3.15	7.36	3.94
2	1.97	3.66	8.50	3.94
2-1/2	2.56	4.60	10.35	4.53
3	3.15	5.12	11.61	4.53

No.	Part Name	Qty	Material
1	Body	1	316 Stainless Steel
2	Core	1	316 Stainless Steel
3	Bonnet	1	316 Stainless Steel
4	Packing	1	PTFE
5	Gland Nut	1	304 Stainless Steel
6	Hand Wheel	1	Aluminum
7	Name Plate	1	Aluminum
8	Nut	1	304 Stainless Steel
9	Stem	1	316 Stainless Steel
10	Metal Padding	1	304 Stainless Steel
11	Washer	1	316 Stainless Steel
12	Seal	1	PTFE

Ordering

Fig: 1 - 30276 - SW

Description: 1" - Stainless Steel Gate - Socket Weld

Size	Series	Ends
1/2	30276	TE Threaded
3/4		SW Socket Weld
1		
1-1/4		
1-1/2		
2		
2-1/2		
3		

Due to continuous development of our product range, we reserve the right to change the dimensions and information for this product as required.