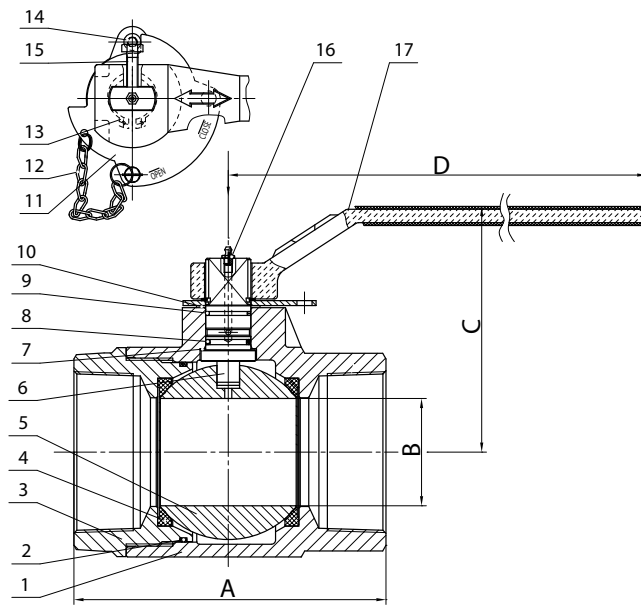


# FIG. OP54DA6RV

## OIL PATCH DUCTILE IRON BALL VALVE

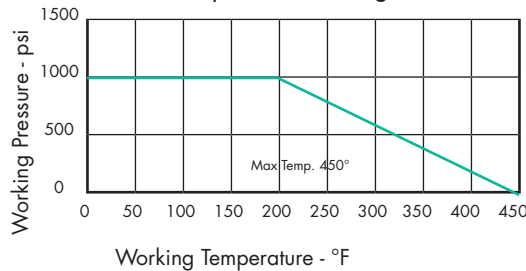


- Ductile Iron Body
- 1000 psi
- Standard Port
- 2 Piece
- RPTFE Seats
- Nace MR-01-75 Compliant
- Heavy Duty Locking Device
- Blow-out Proof Stem
- Double O-Ring Stem Seal
- Grease Fitting for Constant Lubrication and Protection Against Corrosion and Moisture



No.	Part	Material
1	Body	Ductile Iron
2	Seat Ring	Viton
3	Bonnet	Ductile Iron
4	Seat	RPTFE
5	Ball	AISI 420 Stainless Steel
6	Stem	AISI 420 Stainless Steel
7	Thrust Washer	PTFE
8	Stem Seal	Viton
9	Stem Seal	Viton
10	Stem Packing	PTFE
11	Locating Plate	Steel
12	Clip Spring	Spring Steel
13	Pin with Chain	Copper & Steel
14	Handle Screw	Steel
15	Stop Bolt	Steel
16	Grease Zerk	SS201
17	Handle	Ductile Iron

Pressure Temperature Ratings



Size IN	Part Number	Weight LB	A IN	B IN	C IN	D IN
2	SVOP54DA6RV020	10.4	5.51	1.50	5.59	8.50
3	SVOP54DA6RV030	20.0	7.28	2.00	5.87	8.50
4	SVOP54DA6RV040	39.7	8.74	2.99	6.85	14.96

# SHARPE®

USA 877.774.2773

Fax 708.562.9221

www.sharpevalves.com

Chicago, IL

Los Angeles, CA

Atlanta, GA

Vancouver, WA

Houston, TX