

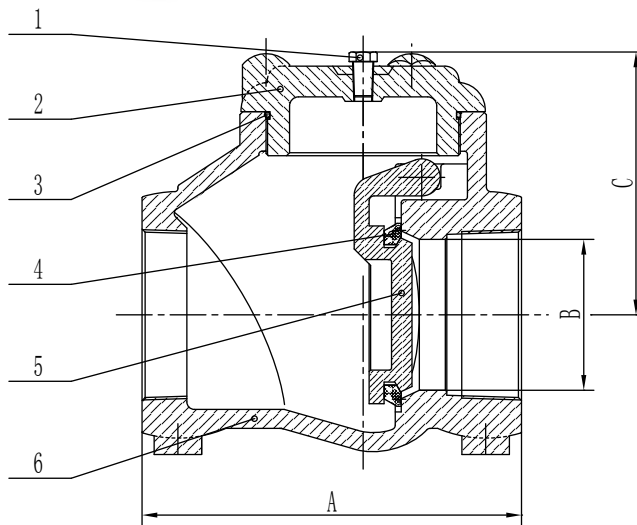
FIG. OP20DB6VV

OIL PATCH DUCTILE IRON SWING CHECK VALVE



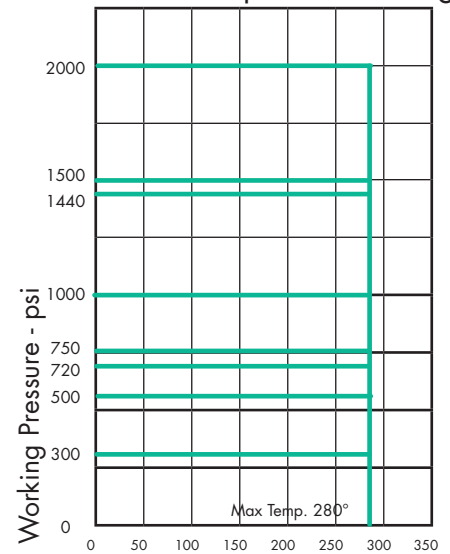
- Ductile Iron Body
- 300, 600, 720, 750, 1000, 1440, 1500, or 2000 psi
- Nace MR-01-75 Compliant
- 316 Stainless Steel, One-Piece Hanger and Disc
- Full Flow When Open
- Top Entry Swing Check

No.	Part	Material
1	Bonnet Plug	Carbon Steel (2" and above)
2	Bonnet	Ductile Iron
3	O-Ring	Viton
4	Seat	Viton
5	Disc	316 Stainless Steel
6	Body	Ductile Iron



Size IN	Weight LB	A IN	B IN	C IN
1	6.0	4.25	1.00	3.23
2	11.7	6.30	2.00	4.21
3	27.8	8.27	3.00	5.24
4	59.5	10.00	4.00	7.79

Pressure Temperature Ratings



Working Temperature - °F

Size	Part Number	Pressure Rating psi
1	SVOP20DB6VV010	300
2	SVOP20DB6VV020	600
3	SVOP20DB6VV030	720
4	SVOP20DB6VV040	750
		1000
		1440
		1500
		2000

Ordering: **Part Number - Pressure Rating**
 Example: SVOP20DB6VV020 - 1000
 Description: 2" - Ductile Iron Swing Check - 1000 psi

SHARPE®

USA 877.774.2773

Fax 708.562.9221

www.sharpevalves.com

Chicago, IL

Los Angeles, CA

Atlanta, GA

Vancouver, WA

Houston, TX