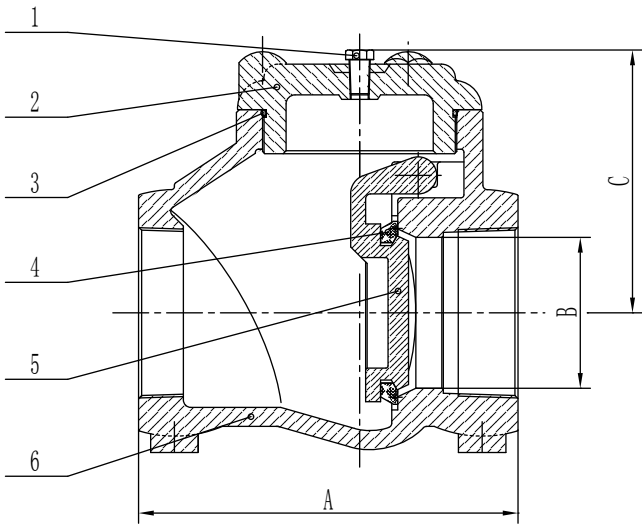


FIG. OP20CC6VV

OIL PATCH CARBON STEEL SWING CHECK VALVE



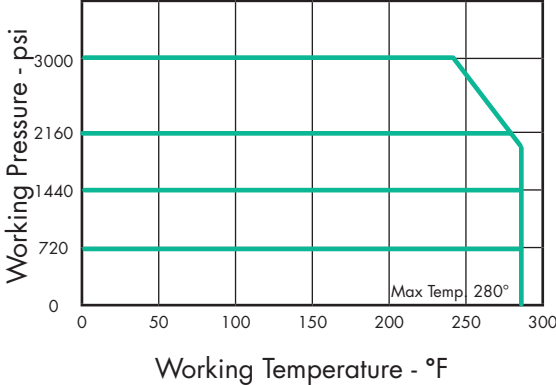
- Carbon Steel Body
- 720, 1440, 2160, 3000 psi
- Nace MR-01-75 Compliant
- 316 Stainless Steel, One-Piece Hanger and Disc
- Full Flow When Open
- Top Entry Swing Check



No.	Part	Material
1	Bonnet Plug	Carbon Steel
2	Bonnet	WCB
3	O-Ring	Viton
4	Seat	Viton
5	Disc	316 Stainless Steel
6	Body	WCB

Size IN	Weight LB	A IN	B IN	C IN
1	6.5	4.25	1.00	3.23
2	12.0	6.30	2.00	3.86
3	33.0	8.75	3.00	5.38

Pressure Temperature Ratings



USA 877.774.2773

Fax 708.562.9221

www.sharpevalves.com

Chicago, IL

Los Angeles, CA

Atlanta, GA

Vancouver, WA

Houston, TX

Ordering: **Part Number - Pressure Rating**

Example: SVOP20CC6VV020 - 1440

Description: 2" - Carbon Steel Swing Check - 1440 psi

Size	Part Number	Pressure Rating psi
1	SVOP20CC6VV010	720
2	SVOP20CC6VV020	1440
3	SVOP20CC6VV030	2160
		3000

SHARPE[®]