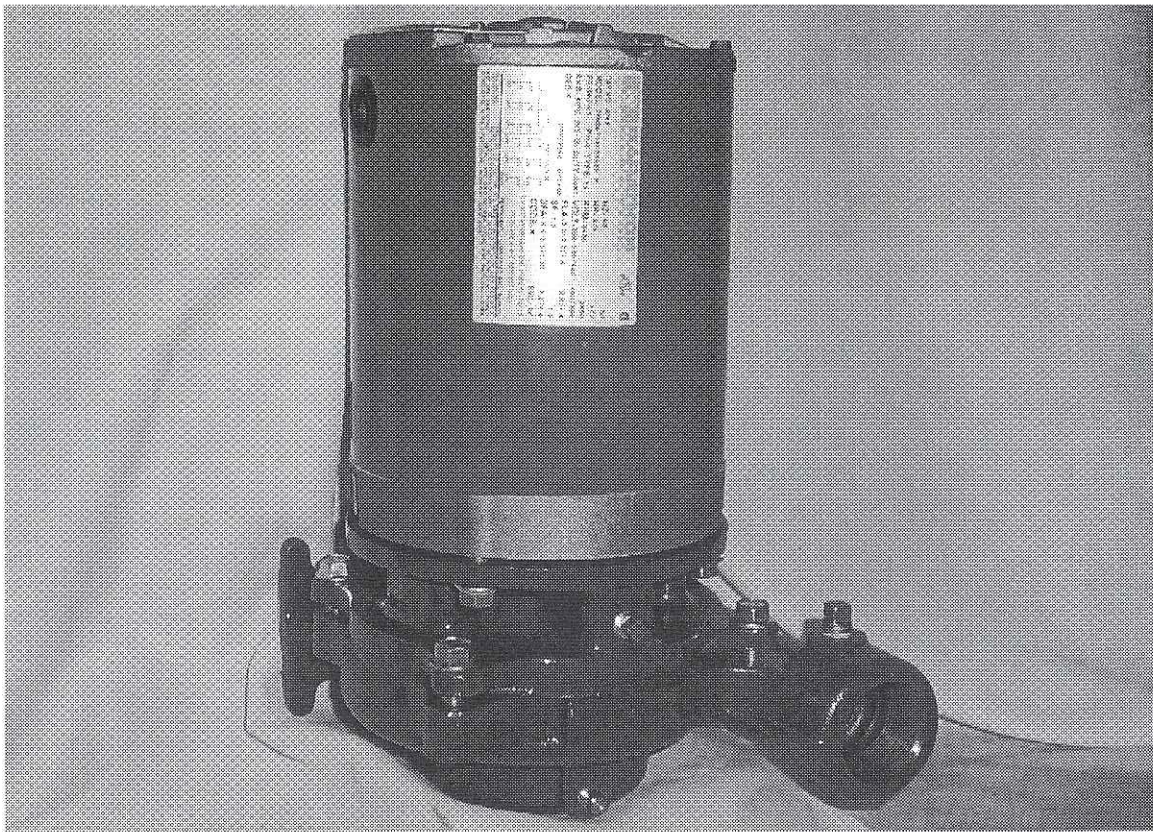


RUSSELL PUMP

Model VA512

Tank Mounted, Close Coupled, Bronze Fitted
Centrifugal Pump

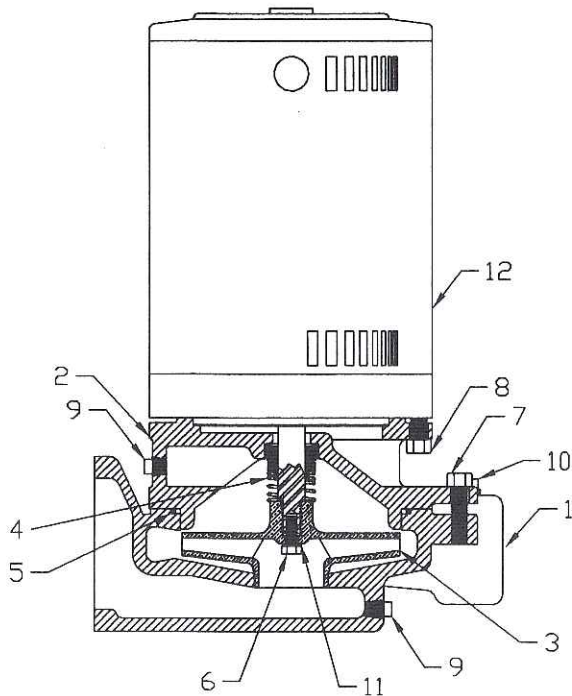


TYPICAL APPLICATIONS INCLUDE: Condensate Return, Boiler Feed

RUSSELL PUMP AND ENGINEERING
1701 OLSON WAY MARSHALLTOWN, IA 50158
641-752-4637

DESIGN FEATURES

- CASING** - Constructed as ASTM A48 class 30 cast iron. 1/8 npt drain port and 1/4 npt discharge tapping is standard. Back pull out design allows the pump to be serviced without disturbing the piping. The volute was designed to maximize hydraulic efficiency.
- MECHANICAL SEAL** - Type 21 buna-n seal is rated to 225°F and pressures to 175PSI. Carbon seal face mates with the ceramic seat providing years of trouble free service. Alternate seals available upon request.
- IMPELLER** - The hydraulic design of the impeller maximizes pressure and gpm while minimizing horsepower. The enclosed impeller is made of cast bronze.
- ADAPTER** - The precise machining of the adapter allows for easy assembly of the pump. A 1/8 npt hole is provided if a seal flush line is added. Construction consists of ASTM A48 class 30 cast iron.
- MOTOR** - The NEMA 56J motor utilizes a 416 stainless steel shaft. The motor's heavy duty ball bearings withstand axial and radial thrust loads with no problem. Standard enclosure type is drip-proof but alternates are available.



1	CASING VA512	CLASS 30 CAST IRON	40026	1
2	ADAPTER A510	CLASS 30 CAST IRON	30000	1
3	IMPELLER A510	BRONZE	20000	1
4	MECHANICAL SEAL	BUNA-N	S-100	1
		EPT	S-101	
		VITON	S-102	
5	O-RING CASING	BUNA-N	S-109	1
		EPT	S-110	
		VITON	S-111	
6	CAP SCREW	1/4-28UNF X 5/8 SS	70040	1
7	CAP SCREW	3/8-16 X 1 1/4 STEEL	19932	4
8	CAP SCREW	3/8-16 X 1 STEEL	19931	4
9	PIPE PLUG	1/8 NPT BRONZE	69845	5
10	PIPE PLUG	1/4 NPT BRONZE	68585	2
11	LOCKWASHER	1/4 303 SS	0130197	1
12	MOTOR	NEMA 56J	-	1