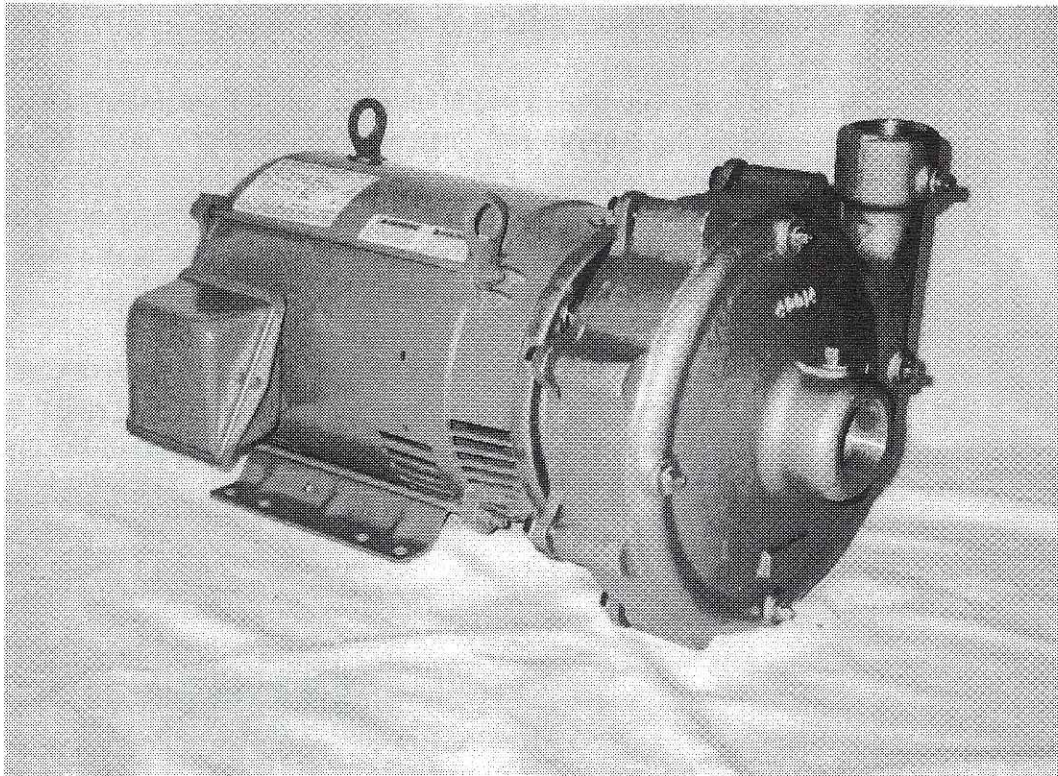


RUSSELL PUMP

Model A915

End Suction, Close Coupled, Bronze Fitted,
Centrifugal Pump

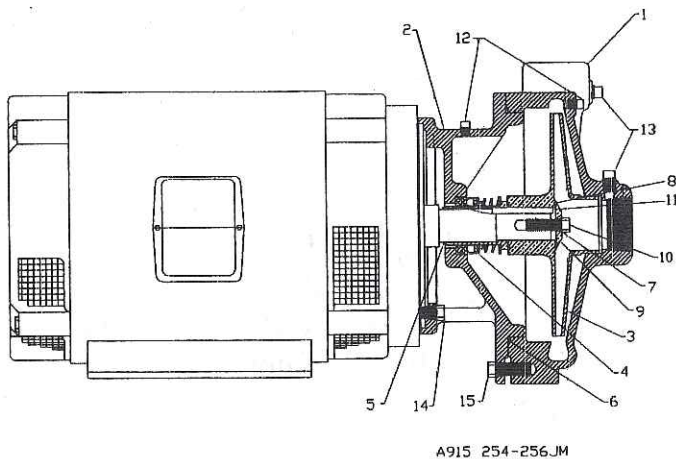


TYPICAL APPLICATIONS INCLUDE: General Purpose, OEM, Boosters,
Cooling Towers, Boiler Feed,
Process Fluids, HVAC, Irrigation,
Hot and Chilled Water
Circulation

RUSSELL PUMP AND ENGINEERING
1701 OLSON WAY MARSHALLTOWN, IA 50158
641-752-4637

DESIGN FEATURES

- CASING** - Constructed as ASTM A48 class 30 cast iron. The discharge can be mounted in any 90° position. Drain and air ports are also positioned every 90°, 1/4 npt suction and discharge tappings are standard. Back pull out design allows the pump to be serviced without disturbing the piping. The volute was designed to maximize hydraulic efficiency.
- MECHANICAL SEAL** - Type 21 buna-n seal is rated to 225°F and pressures to 175PSI. Carbon seal face mates with the ceramic seat providing years of trouble free service. Alternate seals available upon request.
- IMPELLER** - The hydraulic design of the impeller maximizes pressure and gpm while minimizing horsepower. The enclosed impeller is made of cast bronze.
- ADAPTER** - The precise machining of the adapter allows for easy assembly of the pump. A 1/8 npt hole is provided if a seal flush line is added. Construction consists of ASTM A48 class 30 cast iron.
- MOTOR** - The NEMA JM frame motor utilizes a high carbon steel shaft. The motor's heavy duty ball bearings withstand axial and radial thrust loads with no problem. Standard enclosure type is dripproof but alternates are available.



1	CASING A915	CLASS 30 CAST IRON	40014	1
	ADAPTER A9 143-184JM	BRASS	40012	
	ADAPTER A9 213-215JM	CLASS 30 CAST IRON	40017	
2	ADAPTER A9 254-256JM	BRASS	40024	1
	ADAPTER A9 143-184JM		40012	
	ADAPTER A9 213-215JM		40015	
	ADAPTER A9 254-256JM		40023	
3	IMPELLER A915	SILICON BRONZE	30005	1
	IMPELLER A915	SILICON BRONZE	30006	
	IMPELLER A915			
4	MECHANICAL SEAL	BUNA-N	S-103	
	143-215JM	VITON	S-105	1
		BUNA-N	S-106	
		VITON	S-107	
5	SLEEVE 143-215JM	BRASS	10000	1
	SLEEVE 254-326JM			
		BUNA-N	S-164	
6	O-RING CASING	FPT	S-162	1
		VITON	S-163	
		BUNA-N	S-141	
7	O-RING WASHER	FPT	S-142	1
	143-215JM	VITON	S-143	
		BUNA-N	S-144	
	O-RING WASHER	VITON	S-145	
	254-326JM	VITON	S-146	
		BUNA-N	S-132	
8	O-RING IMPELLER	FPT	S-137	2
	143-215JM	BUNA-N	S-138	
		FPT	S-140	
		VITON		
	IMPELLER WASHER		10002	
9	IMPELLER WASHER	BRASS	10003	1
	254-326JM			
	IMPELLER CAP SCREW	3/8-16 X 1 BRASS	75020	
10	IMPELLER CAP SCREW	1/2-13 X 1 BRASS	75037	1
	254-326JM			
	KEY 143-215JM	STAINLESS STEEL	10004	1
	KEY 254-326JM		10005	
12	PIPE PLUG	1/2 NPT BRASS	69845	2
13	PIPE PLUG	1/4 NPT BRASS	69845	2
14	CAP SCREW 143-184JM	3/8-16 X 1 STEEL	99531	4
	CAP SCREW 213-215JM	1/2-13 X 1 STEEL	99527	4
15	CAP SCREW	1/2-13 X 1 1/4 STEEL	99558	8
16	MOTOR			