



FEATURES

- Forged Brass Bodies and Tailpieces Eliminate Porosity
- Full Port in All Sizes
- 600 WOG Pressure Rating - All Sizes
- 150 PSIG Saturated Steam Rating
- Solid "Non-Hollow" Balls - All Sizes
- Locking Handles Available in Carbon & Stainless Steel
- NPT or Solder Ends Available (NOTE A)
- Extended Solder Ends Available to Allow Soldering or Brazing into Piping without Disassembly
- Ideal when High Temperature Solders or Brazing Must Be Used
- M1-NS has 316SS Ball & Stem and 304SS Handle & Nut

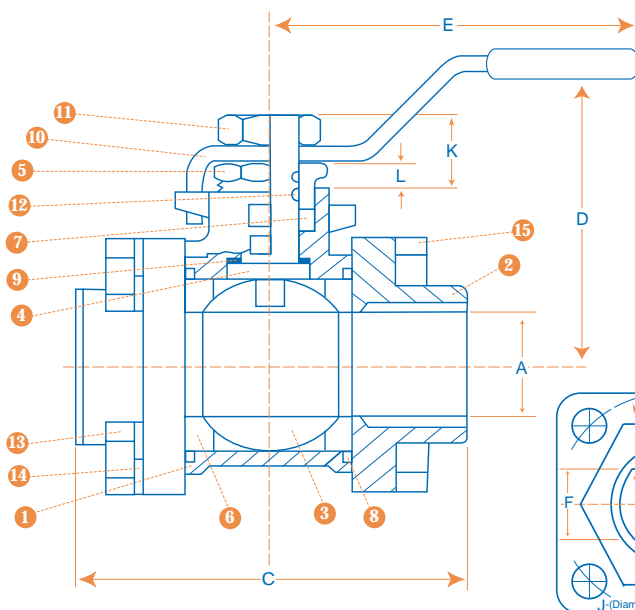
NOTE A: Always disassemble valve and solder tailpieces to tubing, then re-assemble valve unless using extended solder ends.

MATERIALS OF CONSTRUCTION

PART	DESCRIPTION	M1-NP	M1-NS
1	BODY	Brass B124 C37000	Brass B124 C3700
2	TAILPIECE	Brass B124 C37000	Brass B124 C3700
3	BALL	Brass-Chrome Plated	ASTM A276 Gr. 316SS
4	STEM	Brass B16 C36000	ASTM A276 Gr. 316SS
5	PACKING NUT	Brass B16 C36000	Brass B16 C36000
6	SEATS (2)	R-PTFE	R-PTFE
7	PACKING	R-PTFE	R-PTFE
8	BODY SEAL (2)	R-PTFE	R-PTFE
9	THRUST WASHER	R-PTFE	R-PTFE
10	HANDLE ASSY	Carbon Steel-Nickel Plate	304 Stainless Steel
11	HANDLE NUT	Carbon Steel-Nickel Plate	304 Stainless Steel
12	STEM O-RING	Viton-A	Viton-A
13	BODY NUT (4)	Carbon Steel-Nickel Plate	Carbon Steel-Nickel Plate
14	SPRING WASHER (4)	Carbon Steel-Nickel Plate	Carbon Steel-Nickel Plate
15	BODY BOLT (4)	Carbon Steel-Nickel Plate	Carbon Steel-Nickel Plate

RATINGS

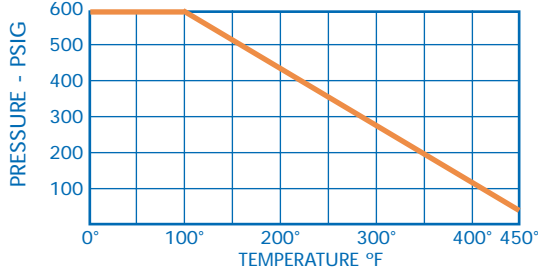
600 PSIG @100F WATER, OIL, GAS
150 PSIG SAT. STEAM (NPT ONLY)



ACTUATOR MOUNTING INFORMATION (NS Only)

SIZE	F Flats	G Stem Dia.	H Tapped Holes	J Bolt Circle
1/4-3/8"	.22	.35	10-24UNCx.32	.94
1/2"	.22	.35	10-24UNCx.32	.94
3/4"	.24	.43	10-24UNCx.32	1.02
1"	.24	.43	10-24UNCx.32	1.02
1-1/4"	.38	.51	1/4-20UNCx.40	1.26
1-1/2"	.38	.51	1/4-20UNCx.40	1.26
2"	.46	.67	1/4-20UNCx.40	1.57

R-PTFE SEATS



DIMENSIONS, WEIGHTS, CV FACTORS & MAXIMUM OPERATING TORQUE

SIZE	A	C NPT	C SOLDER	C-EXTENDED SOLDER ENDS	D	E	K	L	WEIGHT LBS.	Cv	MAX. TORQUE
1/4-3/8"	.56	2.7			1.9	3.0	.51	.12	.86	10	40 IN-LB
1/2"	.56	2.7	2.2	5.5"	1.9	3.0	.51	.12	.86	15	60 IN-LB
3/4"	.81	3.0	3.0	6.0"	2.5	4.7	.63	.14	1.53	32	80 IN-LB
1"	1.0	3.6	3.6	6.5"	2.7	4.7	.63	.14	1.94	62	110 IN-LB
1-1/4"	1.25	4.0	4.0	7.0"	3.2	5.9	.75	.16	3.29	115	150 IN-LB
1-1/2"	1.50	4.6	4.6	7.5"	3.4	5.9	.75	.16	4.37	140	230 IN-LB
2"	2.0	5.4	5.7	8.5"	3.7	7.9	.94	.20	7.81	365	500 IN-LB

Quadrant

VALVE & ACTUATOR, LLC

SERIES M1-NP & NS

NUMBERING SYSTEM ... HOW TO ORDER:

M1 F N S R R SH TT 050

SERIES
M1 =
3 PIECE
BOLTED
600WOG

PORT SIZE
F = FULL

BODY MATERIAL
N = BRASS
Q = BRASS w/SS
BOLTING

BALL/STEM MAT'L
P = PLATED BRASS
S = 316 STAINLESS

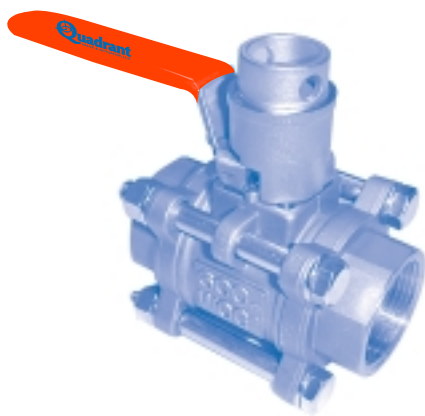
SEAT MAT'L
R = R-PTFE
Z = STEAM
SEATS

SEAL MAT'L
R = R-PTFE
G = GRAPHITE

HANDLE TYPE
LH = CS LEVER
SH = STAINLESS
LEVER
LL = CS LATCH
LOCK
SL = STAINLESS
LATCH LOCK
SO = STAINLESS
OVAL
PA = DOUBLE ACTING
PNEUMATIC
SA = SPRING RETURN
PNEUMATIC
EA = 115v ELECTRIC
ACTIVATED

ENDS
TT = FNPT
CC = SOLDER
ENDS
XC = EXTENDED
SOLDER
ENDS

SIZE
025 = 1/4"
038 = 3/8"
050 = 1/2"
075 = 3/4"
100 = 1"
125 = 1-1/4"
150 = 1-1/2"
200 = 2"



**M1-NS
with Locking
Device**



**M1-NS
with Quadrant C-Series
Pneumatic Actuator**



**M1-NS
with Electric
Actuator**