



# Series UU-CS & UU-SS

## Double Union End High Pressure Ball Valves



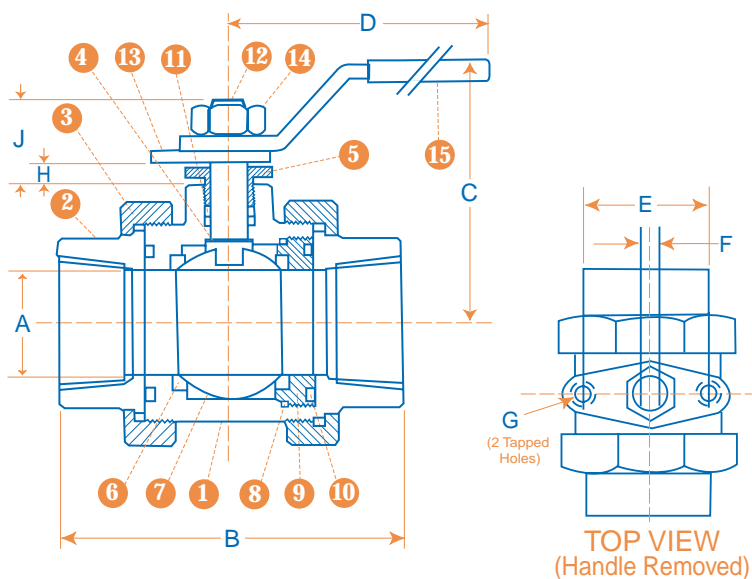
### FEATURES

- Double Union Construction
- Full Port on All Sizes
- 3000WOG Rating on All Sizes (2" requires PEEK Seats)
- 150 PSIG Saturated Steam Rating
- All Models are NACE MR-01-75 Compliant
- Allows Replacement of Body Sub-Assembly without Disturbing Piping
- Union Construction allows Body Assembly to be Removed for Cleaning in "Batch Systems"
- Available in Socket-Weld or NPT Ends
- Standard Actuator Mounting Pads on all Sizes
- Standard Stainless Steel Handles
- The Ultimate Valve for Socket Weld Systems!

### RATINGS

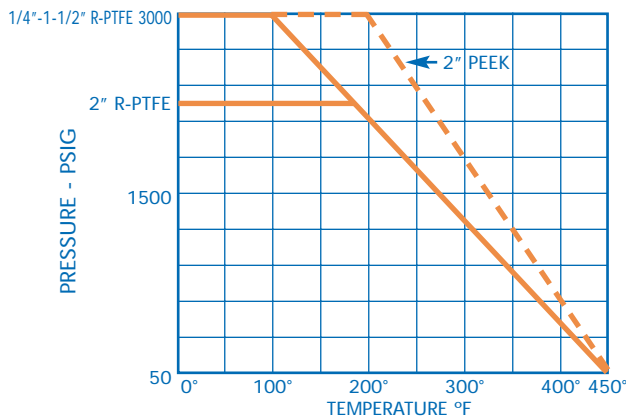
1/4" - 1-1/2": 3000 PSIG @ 100°F (RPTFE)  
 2": 2250 PSIG @ 100°F (RPTFE)  
 2": 3000 PSIG @ 100°F (PEEK)

150 PSIG SATURATED STEAM



### MATERIALS OF CONSTRUCTION

PART	DESCRIPTION	UU-CS (WCB/T316)	UU-SS (CF8M/T316)
1	BODY	ASTM A-216 GR. WCB	ASTM A351 GR. CF8M
2	TAILPIECE (2)	ASTM A-216 GR. WCB	ASTM A351 GR. CF8M
3	UNION NUT (2)	ASTM A-216 GR. WCB	ASTM A351 GR. CF8M
4	THRUST WASHER	R-PTFE	R-PTFE
5	PACKING NUT	ASTM A276 GR. 316 SS	ASTM A276 GR. 316 SS
6	SEATS (2)	R-PTFE (or PEEK-2")	R-PTFE (or PEEK-2")
7	BALL	ASTM A276 GR. 316 SS	ASTM A276 GR. 316 SS
8	RETAINER SEAL	R-PTFE	R-PTFE
9	RETAINER	ASTM A-216 GR. WCB	ASTM A351 GR. CF8M
10	UNION SEAL (2)	PTFE	PTFE
11	STEM PACKING	PTFE	PTFE
12	STEM	ASTM A276 GR. 316 SS	ASTM A276 GR. 316 SS
13	STOP PLATE	304 SS	304 SS
14	HANDLE NUT	304 SS	304 SS
15	HANDLE ASSY.	304 SS	304 SS
16	PIN (Not Shown)	304 SS	304 SS



### DIMENSIONS, WEIGHTS, CV FACTORS & MAXIMUM OPERATING TORQUE

SIZE	A	B	C	D	E	F	G	H	J	WEIGHT LBS.	Cv	MAX. TORQUE
1/4-3/8"	.44	3.6	2.4	4.2	1.12	.20	1/4-20UNC	.21	.62	1.6	10	40 in-lb
1/2"	.62	3.6	2.4	4.2	1.12	.20	1/4-20UNC	.21	.62	1.8	16	75 in-lb
3/4"	.81	3.8	2.8	5.1	1.38	.28	1/4-20UNC	.22	.82	2.8	32	120 in-lb
1"	1.0	4.4	3.0	7.0	1.38	.28	1/4-20UNC	.22	.82	3.7	62	150 in-lb
1-1/4"	1.25	4.9	3.3	7.3	2.00	.35	1/4-20UNC	.22	.85	5.6	115	250 in-lb
1-1/2"	1.50	5.3	3.6	9.9	2.00	.35	1/4-20UNC	.25	.96	8.4	140	350 in-lb
2"	2.00	5.8	3.9	9.9	2.00	.35	1/4-20UNC	.29	1.0	12.2	365	475 in-lb
2" PEEK	2.00	5.8	3.9	9.9	2.00	.35	1/4-20UNC	.29	1.0	12.2	365	750 in-lb



## SERIES UU-CS & UU-SS

NUMBERING SYSTEM ... HOW TO ORDER:

UU F C S R R SH TT 100

SERIES	PORT SIZE	BODY MATERIAL	BALL/STEM MAT'L	SEAT MAT'L	SEAL MAT'L	HANDLE TYPE	ENDS	SIZE
UU = DOUBLE UNION	F = FULL	C = CARBON S = STAINLESS (CF8M)	S = 316 STAINLESS A = ALLOY 20 H = HASTELLOY M = MONEL I = NICKEL	R = R-PTFE A = ACETAL P = PEEK Z = STEAM SEATS	R = R-PTFE P = PEEK G = GRAPHITE	SH = STAINLESS LEVER SL = STAINLESS LATCH LOCK SO = STAINLESS OVAL LO = STAINLESS LOCKING OVAL PA = DOUBLE ACTING PNEUMATIC SA = SPRING RETURN PNEUMATIC EA = 115VAC ELECTRIC ACTUATED	TT = FNPT MT = MxF NPT MM=MxM NPT WW=Socket Weld WT=Socket Weld x FNPT BB=Sch.80 Butt Weld	025 = 1/4" 038 = 3/8" 050 = 1/2" 075 = 3/4" 100 = 1" 125 = 1-1/4" 150 = 1-1/2" 200 = 2"

### OTHER QUADRANT PRODUCTS ... to solve your Fluid Control Problems:

<u><a href="#">SERIES 20-NP</a></u>	Forged Brass 400WOG Reduced Port Ball Valves
<u><a href="#">SERIES 20-BP &amp; BS</a></u>	Cast Bronze 600WOG Full & Reduced Port Ball Valves with Brass or 316SS Trim
<u><a href="#">SERIES 20-CC &amp; CS</a></u>	Carbon Steel Bar Stock 2000WOG Reduced Port Ball Valves with Carbon or 316SS Trim
<u><a href="#">SERIES 21</a></u>	Stainless Steel 2-Piece 1000WOG Full Port Ball Valves
<u><a href="#">SERIES S1</a></u>	Seal Welded Stainless Steel 1000WOG Full Port Ball Valves
<u><a href="#">SERIES S2</a></u>	Seal Welded Stainless Steel 2000WOG Reduced Port Ball Valves
<u><a href="#">SERIES SB</a></u>	Seal Welded Stainless Steel 2160WOG Reduced Port Ball Valves
<u><a href="#">SERIES S3</a></u>	Seal Welded Stainless Steel 3600WOG Reduced Port and Full Port Ball Valves
<u><a href="#">SERIES S5</a></u>	Seal Welded Stainless Steel 5000WOG Reduced and Full Port Ball Valves
<u><a href="#">SERIES S6</a></u>	Seal Welded Stainless Steel 6000WOG Reduced Port and Full Port Ball Valves with FNPT, MxF NPT & Socket Weld Ends
<u><a href="#">SERIES M1</a></u>	3-Piece 4-Bolt Maintenance Design Brass 600WOG Full Port Ball Valves with Plated Brass or 316SS Trim
<u><a href="#">SERIES UU</a></u>	3-Piece Double Union High Pressure Full Port Ball Valves in Carbon and Stainless Steel Construction with FNPT or Socket Weld Ends
<u><a href="#">SERIES BFV-D</a></u>	2"- 48" Ductile Iron Butterfly Valves with Ductile, Aluminum Bronze, or CF8M Discs and Buna-N, EPDM or Viton Seats- Lever, Gear Operators or Pneumatic/Electric Actuators
<u><a href="#">SERIES BFV-A</a></u>	2"- 12" A-395 Ductile Iron Butterfly, Split Shaft, all Disc Materials and Buna-N or Viton Seats, NACE Compliant, Lever, Gear Operators or Electric/Pneumatic Actuators