



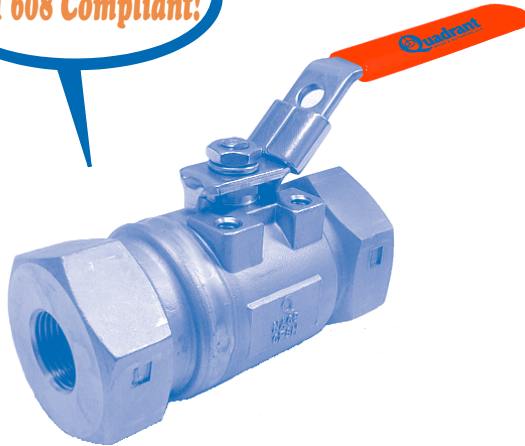
Series S10-SS

Seal Welded Extreme Pressure Ball Valves

FEATURES

- Seal Welded Construction
- All Stainless Construction
- 10,800 WOG Rating (CF8M)
- Fully Compliant with ASME B16.34 Class 4500
- PEEK Seats and Viton Seats Standard
- All Models Comply with NACE MR01-75
- Standard 304SS Locking Handles
- Meets all Requirements of API608
- API607 Fourth Edition Fire Safe
- ISO Mounting Pads
- Available in NPT, Socket Weld, or M/P and H/P Coned and Threaded Tube (9/16")

ASME B16.34 & API 608 Compliant!

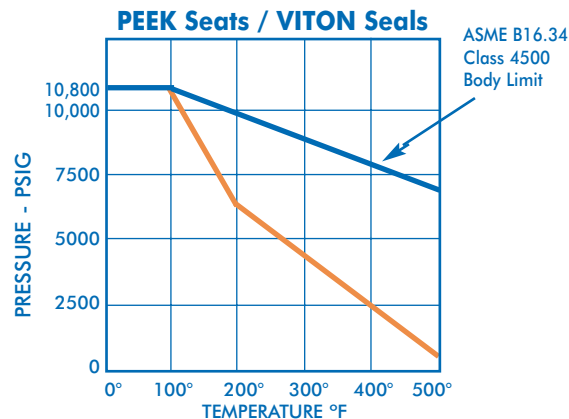
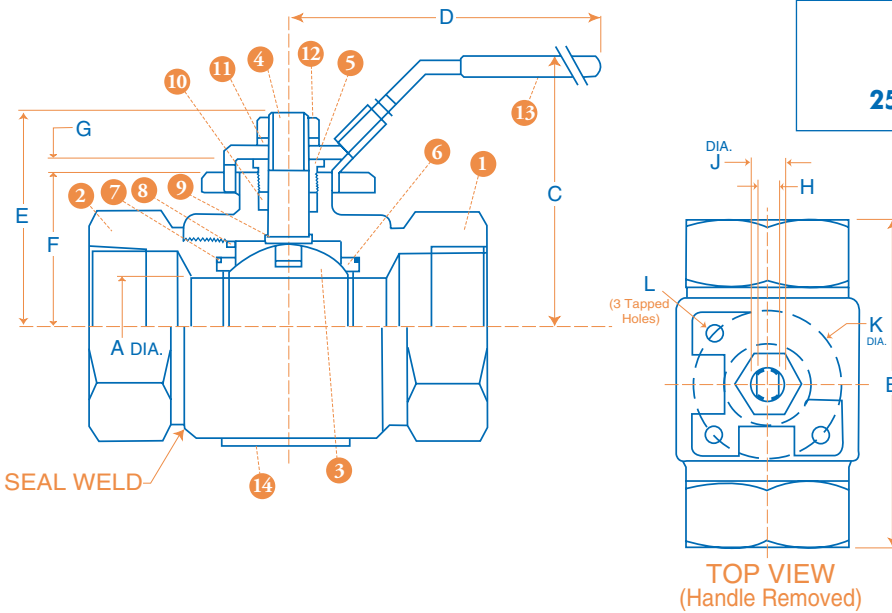


RATINGS

10,800 PSIG @100F Water, Oil Gas
250 PSIG Saturated Steam (PEEK Seats)

MATERIALS OF CONSTRUCTION

PART	DESCRIPTION	STANDARD MATERIAL
1	BODY	ASTM A351 GR. CF8M
2	TAILPIECE	ASTM A351 GR. CF8M
3	BALL	ASTM A276 GR. 316 SS
4	STEM	17-4PH SS
5	PACKING NUT	ASTM A276 GR. 316 SS
6	SEATS (2)	PEEK
7	SEAT SEAL (2)	VITON
8	TAILPIECE SEAL	GRAPHITE
9	THRUST WASHER	PEEK
10	STEM PACKING	GRAPHITE
11	LOCK WASHER	304 SS
12	HANDLE NUT	304 SS
13	HANDLE ASSY.	304 SS
14	NAME PLATE	300 SS



DIMENSIONS, WEIGHTS, CV FACTORS & MAXIMUM OPERATING TORQUE

SIZE	A (BORE)	B	C	D	E	F	G	H	J	K DIA.	L (3 TAPPED HOLES)	ISO PATTERN	WEIGHT LBS.	Cv	MAX. TORQUE (IN-LBS)
1/4"FNPT	.40	4.00	2.27	5.04	1.6	1.0	.19	.20	.31	1.42	1/4"-20 UNC	F03	2.7	6	150
3/8"FNPT	.40	4.00	2.27	5.04	1.6	1.0	.19	.20	.31	1.42	1/4"-20 UNC	F03	2.7	10	150
1/2"FNPT	.40	4.00	2.27	5.04	1.6	1.0	.19	.20	.31	1.42	1/4"-20 UNC	F03	2.6	14	150
1/2"SW	.40	4.00	2.27	5.04	1.6	1.0	.19	.20	.31	1.42	1/4"-20 UNC	F03	2.6	14	150
9/16" Cone & Tube	.40	4.00	2.27	5.04	1.6	1.0	.19	.20	.31	1.42	1/4"-20 UNC	F03	2.6	3	150

Quadrant[®]

VALVE & ACTUATOR, LLC

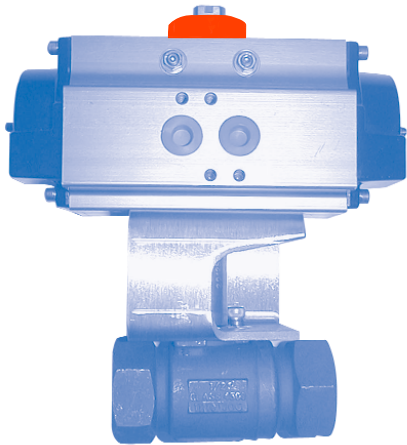
SERIES S10-SS

REV. 9/03

NUMBERING SYSTEM ... HOW TO ORDER:

S10 R S S P F SL TT 075

SERIES	PORT SIZE	BODY MATERIAL	BALL/STEM MAT'L	SEAT MAT'L	SEAL MAT'L	HANDLE TYPE	ENDS	SIZE
S10 = SEAL WELDED 10,800 WOG	R=REDUCED	S = STAINLESS (CF8M)	S = 316 STAINLESS A = ALLOY 20 H = HASTELLOY	P = PEEK	F = VITON	SL = STAINLESS LATCH LOCK LO = LOCKING STAINLESS OVAL ST = 304SS TEE HANDLE PA = DOUBLE ACTING PNEUMATIC SA = SPRING RETURN PNEUMATIC SR = DEADMAN HANDLE EA = 115VAC ELECTRIC ACTUATED	TT = FNPT MT = MXF NPT WW= SOCKET WELD WT = SOCKET WELD xFNPT FC = FEMALE MEDIUM PRESSURE CONED & THREADED TUBE FH = FEMALE HIGH PRESSURE CONED & THREADED TUBE	025 = 1/4" 038 = 3/8" 050 = 1/2" 056 = 9/16" (CONED & THD. TUBE)



S10-SS with
QUADRANT
C-SERIES
PNEUMATIC
ACTUATOR



S10-SS with
QUADRANT
ELECTRIC
ACTUATOR



S10-SS with
LOCKING STAINLESS
OVAL HANDLE



S10-SS with
304SS TEE HANDLE