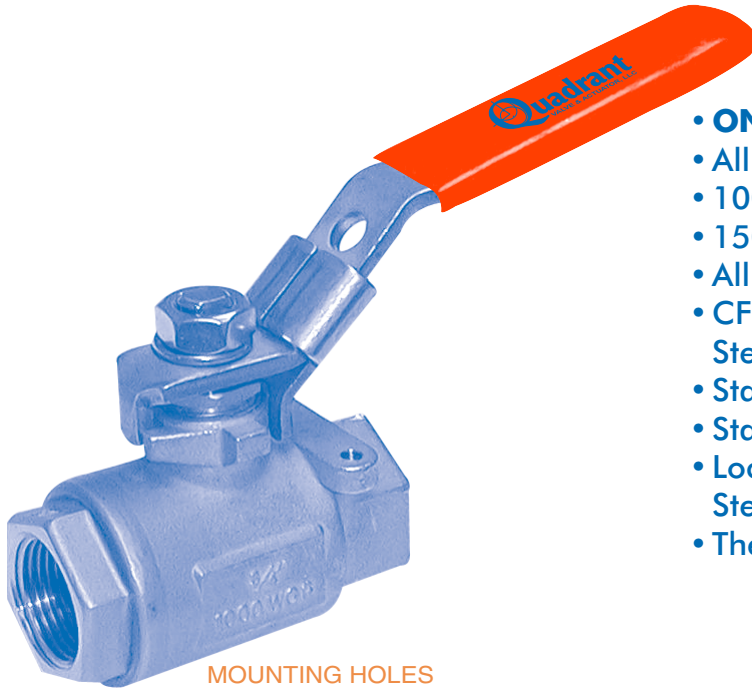




Series S1-SS

Seal Welded Stainless Steel Ball Valve



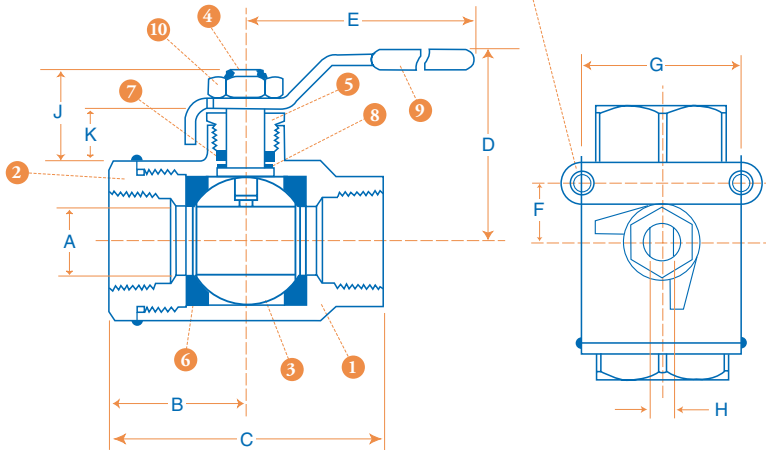
FEATURES

- **ONE PIECE - SEAL WELDED CONSTRUCTION**
- All sizes are Full Port
- 1000 WOG Rating
- 150 PSIG Saturated Steam Rating
- All Models are NACE MR-01-75 Compliant
- CF8M Bodies and Tailpieces, 316 Stainless Steel Internals
- Standard Actuator Mounting Pads on all Sizes
- Standard Stainless Steel Locking Handles
- Locking Oval Handles Available in Stainless Steel
- The Ultimate in Safe Design!

RATINGS

1000 PSIG @100F WATER, OIL, GAS
150 PSIG SATURATED STEAM

MOUNTING HOLES
 1/4" - 3/4" 10-24 NC
 1" - 3" 1/4-20 NC



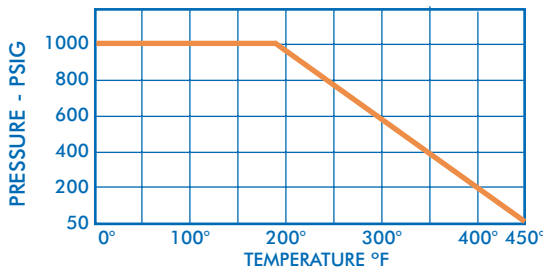
MATERIALS OF CONSTRUCTION

PART	DESCRIPTION	STANDARD MATERIAL	OPTIONAL MAT'L(S)
1	BODY	ASTM A351 Gr. CF8M	
2	TAILPIECE	ASTM A351 Gr. CF8M	
3	BALL	ASTM A276 Gr. 316	
4	STEM	ASTM A276 Gr. 316	
5	PACKING NUT	ASTM A276 Gr. 316	
6	SEATS (2)	R-PTFE	Steam Seats
7	PACKING	R-PTFE	Graphite
8	THRUST WASHER	R-PTFE	
9	HANDLE ASSY	Stainless Steel w/Vinyl	Stainless Locking Oval
10	HANDLE NUT	Stainless Steel	

DIMENSIONS, WEIGHTS, CV FACTORS & MAXIMUM OPERATING TORQUE

SIZE	A	B	C	D	E	F	G	H	J	K	WEIGHT LBS.	Cv	MAX. TORQUE
1/4-3/8"	.43	1.1	2.2	2.2	4.2	.50	1.12	.20	.82	.49	.58	10	60 IN-LB
1/2"	.56	1.3	2.6	2.3	4.3	.50	1.38	.20	.98	.58	.75	16	60 IN-LB
3/4"	.81	1.5	3.0	2.8	5.8	.87	1.38	.28	1.32	.71	1.47	32	120 IN-LB
1"	1.0	1.7	3.5	3.0	5.8	.87	1.50	.28	1.32	.71	2.23	62	160 IN-LB
1-1/4"	1.25	2.0	4.0	3.6	7.5	.93	1.50	.35	1.44	.81	3.47	115	180 IN-LB
1-1/2"	1.5	2.2	4.4	3.9	7.5	.93	1.50	.35	1.46	.81	5.35	140	260 IN-LB
2"	2.0	2.5	5.0	4.3	8.1	1.00	1.50	.35	1.46	.82	7.99	365	400 IN-LB
2-1/2"	2.5	3.3	6.6	5.0	10	1.37	2.75	.39	1.87	.94	15.1	450	500 IN-LB
3"	3.0	3.6	7.2	5.4	10	1.37	2.75	.39	1.80	.85	22.1	1100	800 IN-LB

R-PTFE SEATS



Quadrant[®] VALVE & ACTUATOR, LLC

REV. 9/03

SERIES S1-SS

NUMBERING SYSTEM ... HOW TO ORDER:

S1 F S S R R SL TT 100

SERIES	PORT SIZE	BODY MATERIAL	BALL/STEM MAT'L	SEAT MAT'L	SEAL MAT'L	HANDLE TYPE	ENDS	SIZE
S1 = SEAL WELDED 1000WOG FULL PORT	F = FULL	S = STAINLESS (CF8M)	S = 316 STAINLESS	R = R-PTFE Z = STEAM SEATS	R = R-PTFE G = GRAPHITE	SL = STAINLESS LATCH LOCK SO = STAINLESS OVAL LO = STAINLESS LOCKING OVAL PA = DOUBLE ACTING PNEUMATIC SA = SPRING RETURN PNEUMATIC	TT = FNPT MT = MxF NPT	025 = 1/4" 038 = 3/8" 050 = 1/2" 075 = 3/4" 100 = 1" 125 = 1-1/4" 150 = 1-1/2" 200 = 2" 250 = 2-1/2" 300 = 3"

OTHER QUADRANT PRODUCTS ... *to solve your Fluid Control Problems:*

<u>SERIES 20-NP</u>	Forged Brass 400WOG Reduced Port Ball Valves
<u>SERIES 20-BP & BS</u>	Cast Bronze 600WOG Full & Reduced Port Ball Valves with Brass or 316SS Trim
<u>SERIES 20-CC & CS</u>	Carbon Steel Bar Stock 2000WOG Reduced Port Ball Valves with Carbon or 316SS Trim
<u>SERIES 21</u>	Stainless Steel 2-Piece 1000WOG Full Port Ball Valves
<u>SERIES S1</u>	Seal Welded Stainless Steel 1000WOG Full Port Ball Valves
<u>SERIES S2</u>	Seal Welded Stainless Steel 2000WOG Reduced Port Ball Valves
<u>SERIES SB</u>	Seal Welded Stainless Steel 2160WOG Reduced Port Ball Valves
<u>SERIES S3</u>	Seal Welded Stainless Steel 3600WOG Reduced Port and Full Port Ball Valves
<u>SERIES S5</u>	Seal Welded Stainless Steel 5000WOG Reduced and Full Port Ball Valves
<u>SERIES S6</u>	Seal Welded Stainless Steel 6000WOG Reduced Port and Full Port Ball Valves with FNPT, MxF NPT & Socket Weld Ends
<u>SERIES M1</u>	3-Piece 4-Bolt Maintenance Design Brass 600WOG Full Port Ball Valves with Plated Brass or 316SS Trim
<u>SERIES UU</u>	3-Piece Double Union High Pressure Full Port Ball Valves in Carbon and Stainless Steel Construction with FNPT or Socket Weld Ends
<u>SERIES BFV-D</u>	2"- 48" Ductile Iron Butterfly Valves with Ductile, Aluminum Bronze, or CF8M Discs and Buna-N, EPDM or Viton Seats- Lever, Gear Operators or Pneumatic/Electric Actuators
<u>SERIES BFV-A</u>	2"- 12" A-395 Ductile Iron Butterfly, Split Shaft, all Disc Materials and Buna-N or Viton Seats, NACE Compliant, Lever, Gear Operators or Electric/Pneumatic Actuators