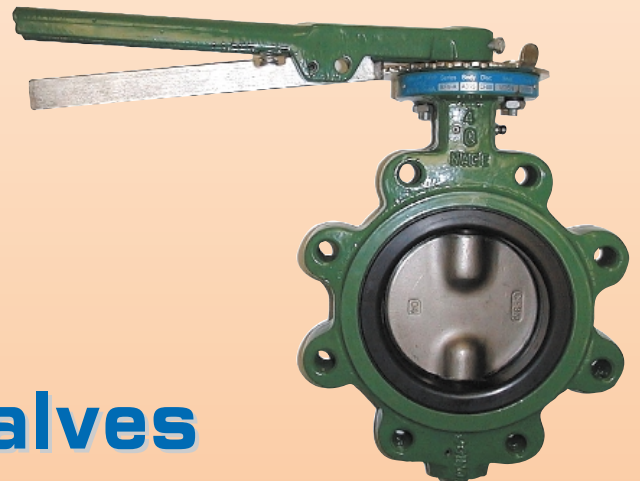
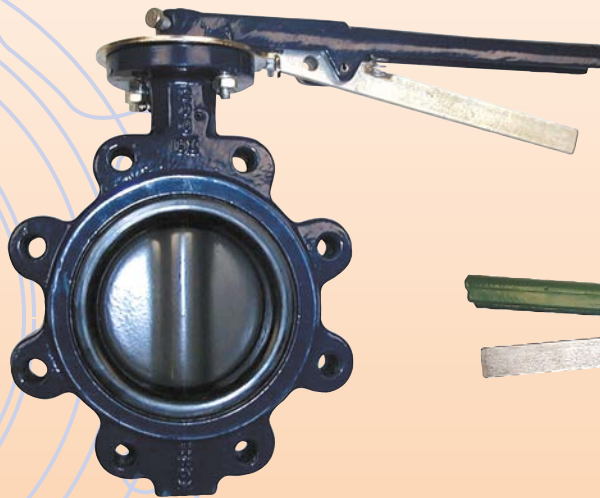
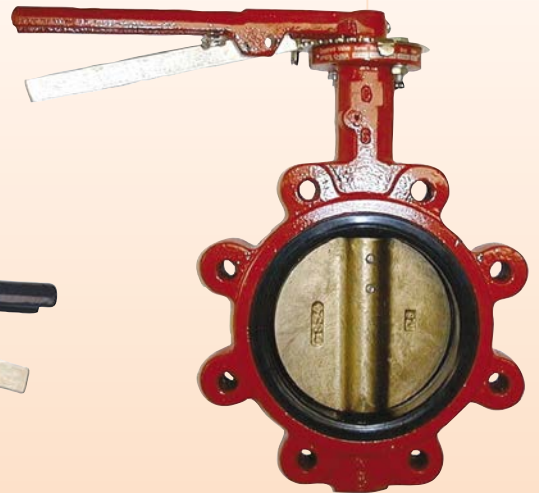
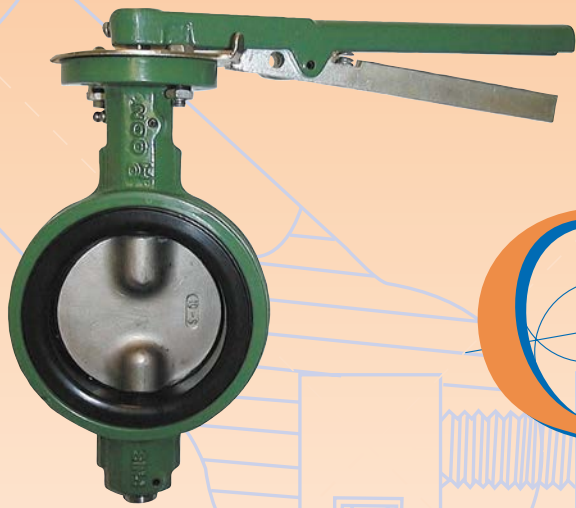


BFV-903

Quadrant[®]

VALVE & ACTUATOR, LLC



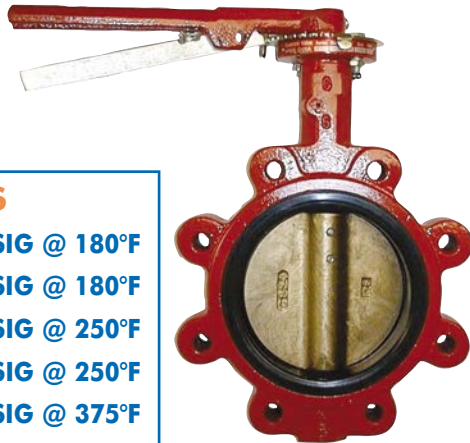
**Lug & Wafer
Style Butterfly Valves**

Series BFV-WD & BFV-LD



**2" to 48"
Sizes**

**Complies with USCG 46CFR
Category B Requirements**



RATINGS

2"-24" BUNA: 200 PSIG @ 180°F
28"-48" BUNA: 150 PSIG @ 180°F
2"-24" EPDM: 200 PSIG @ 250°F
28"-48" EPDM: 150 PSIG @ 250°F
2"-24" VITON: 200 PSIG @ 375°F
28"-48" VITON: 150 PSIG @ 375°F

FEATURES

- Standard ASTM A536 Ductile Iron Bodies
- Unique ISO 5211 Pattern & Square Stem*
- Seat Retaining Bolts on Lug Valves Provide 200PSI Dead-End Service Without Downstream Flange
- Standard Grease Fitting for Stem Lubrication
- 2"-24" Rated @ 200WOG, 28" to 48" Rated @ 150WOG
- Fully Compliant to API 609 & MSS SP-67
- Standard 416SS Shaft

MATERIALS OF CONSTRUCTION

| PART | DESCRIPTION | STANDARD MATERIAL |
|------|------------------------|--|
| 1 | BODY | ASTM A536 Ductile Iron |
| 2 | DISC | See Page 3 |
| 3 | SHAFT | 416SS or 316SS w/CF8M Disc |
| 4 | BEARINGS | Fiberglass Backed PTFE |
| 5 | PIN(S) | 416SS or 316SS w/CF8M Disc |
| 6 | SEAT ASSEMBLY | Buna-N, EPDM or VITON (Phenolic Supported) |
| 7 | SET SCREWS (not shown) | Plated Carbon Steel (Lug only) |
| 8 | STOP PLATE (not shown) | Plated Carbon Steel |
| 9 | FASTENERS (not shown) | Plated Carbon Steel |
| 10 | HANDLE ASSEMBLY | Ductile Iron |
| 11 | LUBE FITTING | Plated Carbon Steel |
| 12 | O-RING | Buna-N |

See Page 4 for Cross Sections.

Series BFV-WC & BFV-LC



**2" to 12"
Sizes**



**.040" Thick
Nylon-II
Coated
Ductile Iron
Disc
Available
On BFV-C!**

RATINGS

BUNA-N SEAT: 200 PSIG @ 180F
EPDM SEAT: 200 PSIG @ 250F
VITON SEAT: 200 PSIG @ 375F

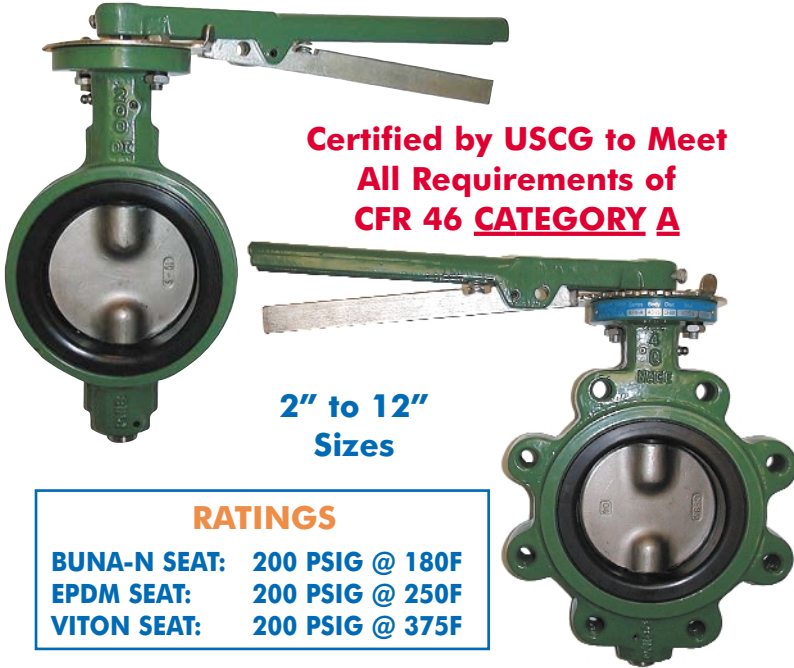
FEATURES

- Standard ASTM A536 Ductile Iron Bodies
- Unique ISO 5211 Pattern & Square Stem*
- Seat Retaining Bolts on Lug Valves Provide 200PSI Dead-End Service Without Downstream Flange
- Standard Grease Fitting for Stem Lubrication
- All Sizes Rated @ 200WOG
- Fully Compliant to API 609 & MSS SP-67
- Standard 416SS Shaft with Internal Drive
- Internal Shaft to Disc Drive Eliminates Disc Pin(s)

MATERIALS OF CONSTRUCTION

| PART | DESCRIPTION | STANDARD MATERIAL |
|------|------------------------|--|
| 1 | BODY | ASTM A536 Ductile Iron |
| 2 | DISC | See Page 3 |
| 3 | SHAFT | 416SS or 316SS w/CF8M Disc |
| 4 | BEARINGS | Fiberglass Backed PTFE |
| 6 | SEAT ASSEMBLY | Buna-N, EPDM or VITON (Phenolic Supported) |
| 7 | SET SCREWS (not shown) | Plated Carbon Steel (Lug only) |
| 8 | STOP PLATE (not shown) | Plated Carbon Steel |
| 9 | FASTENERS (not shown) | Plated Carbon Steel |
| 10 | HANDLE ASSEMBLY | Ductile Iron |
| 11 | LUBE FITTING | Plated Carbon Steel |
| 12 | O-RING | Buna-N |

See Page 4 for Cross Sections.



**Certified by USCG to Meet
All Requirements of
CFR 46 CATEGORY A**

**2" to 12"
Sizes**

RATINGS

BUNA-N SEAT: 200 PSIG @ 180F
EPDM SEAT: 200 PSIG @ 250F
VITON SEAT: 200 PSIG @ 375F

MATERIALS OF CONSTRUCTION

| PART | DESCRIPTION | STANDARD MATERIAL |
|------|------------------------|--|
| 1 | BODY | ASTM A395 Ductile Iron |
| 2 | DISC | See Below |
| 3 | SHAFTS | ASTM A276 316SS |
| 4 | BEARINGS | Fiberglass Backed PTFE |
| 5 | SEAT ASSEMBLY | Buna-N, EPDM or VITON (Phenolic Supported) |
| 6 | SET SCREWS (not shown) | Plated Carbon Steel (Lug only) |
| 7 | ROLL PINS | Plated Carbon Steel |
| 8 | STOP PLATE (not shown) | Plated Carbon Steel |
| 9 | FASTENERS (not shown) | Plated Carbon Steel |
| 10 | HANDLE ASSEMBLY | Ductile Iron |
| 11 | LUBE FITTING | Plated Carbon Steel |
| 12 | O-RING | Buna-N |

See Page 4 for Cross Sections.

FEATURES

- ASTM A-395 Ductile Iron Bodies
- Unique ISO 5211 Mounting Pattern & Square Stem*
- Lug Style Valves have Seat Retaining Bolts allowing Dead-End Service without Downstream Flange
- Standard Grease Fitting for Stem Lubrication and Corrosion Protection
- Available with Buna-N, EPDM or VITON seats
- Standard 316SS Stem
- Ductile Iron, Aluminum Bronze or CF8M Discs
- All sizes rated at 200WOG
- Standard NACE MR01-75, 2000 Revision Compliance
- 2-Piece Shaft and "Thin" Disc for Low Pressure Drop
- Fully Compliant with API 609
- Fully Compliant with MSS SP-67
- 304SS Lock Plates Available
- CF8M Stainless bodies Available
- Standard Locking Handle Accepts Common 5/16" Hasp Locks

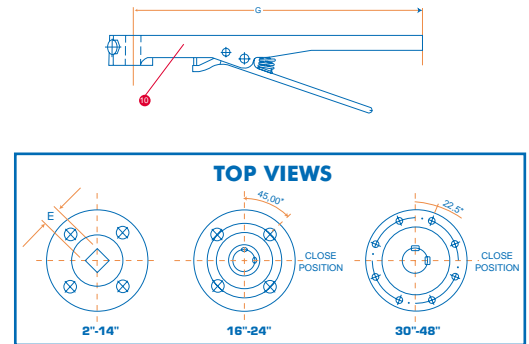
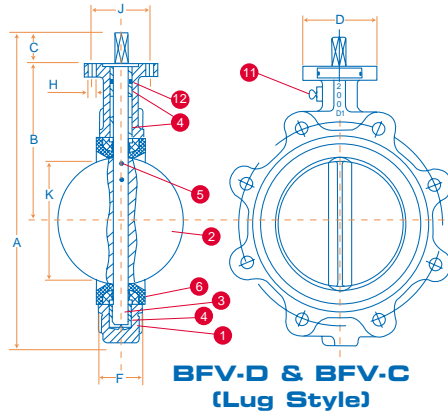
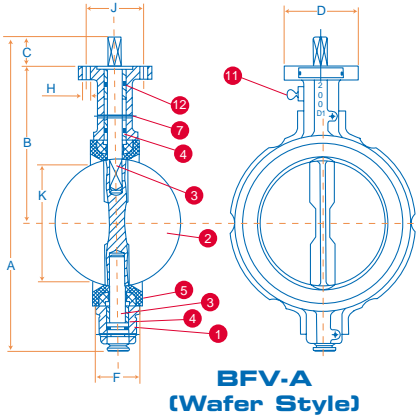
NUMBERING SYSTEM ... HOW TO ORDER:

BFV W D B 4 E C PH 300

| SERIES | BODY STYLE | BODY MATERIAL | DISC MATERIAL | STEM MAT'L | SEAT/SEAL MAT'L | BODY COAT | HANDLE TYPE | SIZE |
|--------|----------------------|---|---|-------------------------------------|-------------------------------------|---|--|---|
| BFV | W = WAFER L = LUG | A = A395 DUCTILE C = A536 DUCTILE INTERNAL DRIVE D = A536 DUCTILE S = CF8M STAINLESS | D = DUCTILE IRON (536) NICKEL PLATED B = ALUMINUM BRONZE (C954) S = CF8M STAINLESS N = .040" THICK NYLON-II COATED DUCTILE IRON (BFV-C ONLY) | 4 = 416SS 3 = 316SS M = MONEL | B = Buna-N E = EPDM F = VITON | P = PAINTED C = EPOXY COATED N = NO COATING | PH = 10 POS. LEVER BH = INFINITE POSITION LOCKING HANDLE GO = GEAR OPERATOR PA = DOUBLE ACTING PNEUMATIC D00 = 16" SA = SPRING RETURN PNEUMATIC EA = ELECTRIC ACTUATED BS = BARE STEM | 200 = 2" 250 = 2-1/2" 300 = 3" 400 = 4" 500 = 5" 600 = 6" 800 = 8" A00 = 10" B00 = 12" C00 = 14" D00 = 16" E00 = 18" F00 = 20" G00 = 24" I00 = 30" K00 = 36" M00 = 42" N00 = 48" |

* PATENT APPLIED FOR

DIMENSIONS, WEIGHTS, CV FACTORS & TORQUES



| SIZE | "A" BFV-A & C | "A" BFV-D | "B" BFV-A & C | "B" BFV-D | "C" | "D" DIA | "E" SQUARE or "E" STEM DIA (16" UP) | "F" | "G" |
|--------|------------------|--------------|------------------|--------------|------|------------|--|-------|------|
| 2" | 8.4 | 10.8 | 3.9 | 6.3 | 1.26 | 3.03 | 11MM | 1.69 | 9.0 |
| 2-1/2" | 9.2 | 11.7 | 4.5 | 6.9 | 1.26 | 3.03 | 11MM | 1.81 | 9.0 |
| 3" | 9.9 | 12.2 | 4.9 | 7.1 | 1.26 | 3.03 | 11MM | 1.81 | 9.0 |
| 4" | 11.8 | 13.7 | 6.0 | 7.9 | 1.26 | 3.62 | 11MM | 2.06 | 11.0 |
| 5" | 12.3 | 14.7 | 6.0 | 8.4 | 1.26 | 3.62 | 14MM | 2.19 | 11.0 |
| 6" | 13.3 | 15.7 | 6.5 | 8.9 | 1.26 | 3.62 | 14MM | 2.19 | 11.0 |
| 8" | 16.8 | 18.9 | 8.1 | 10.2 | 1.77 | 4.92 | 19MM | 2.38 | 15.0 |
| 10" | 19.8 | 21.3 | 10.0 | 11.5 | 1.77 | 5.91 | 22MM | 2.69 | 17.0 |
| 12" | 22.2 | 24.6 | 10.9 | 13.3 | 1.77 | 5.91 | 27MM | 3.06 | 17.0 |
| 14" | 26.8 | 26.8 | 14.5 | 14.5 | 1.77 | 5.91 | 27MM | 3.06 | N/A |
| 16" | | 29.9 | | 15.8 | 2.02 | 7.76 | 33.15MM (5/16" KEYS) | 4.00 | N/A |
| 18" | | 31.6 | | 16.6 | 2.02 | 7.76 | 37.95MM (3/8" KEYS) | 4.50 | N/A |
| 20" | | 35.7 | | 18.9 | 2.53 | 7.76 | 41.12MM (3/8" KEYS) | 5.00 | N/A |
| 24" | | 43.0 | | 22.2 | 2.76 | 10.87 | 50.62MM (1/2" KEYS) | 6.06 | N/A |
| 30" | | 50.7 | | 26.0 | 2.60 | 11.81 | 63.35MM (18MM KEYS) | 6.50 | N/A |
| 36" | | 58.8 | | 28.4 | 4.65 | 11.81 | 75.0MM (20MM KEYS) | 7.88 | N/A |
| 42" | | 70.3 | | 33.8 | 5.91 | 11.81 | 95.0MM (25MM KEYS) | 9.88 | N/A |
| 48" | | 77.0 | | 37.1 | 5.91 | 13.78 | 105.0MM (28MM KEYS) | 10.88 | N/A |

| SIZE DIA | "H" DIA | "J" DIA | "K" DIA (Disc Chord) | ISO PATTERN | WT-LBS WAFER | WT-LBS LUG | MAX TORQUE (IN-LBS) | | Cv FACTOR BFV-A | Cv FACTOR BFV-D & C |
|-------------|------------|------------|-------------------------|----------------|-----------------|---------------|----------------------|-------|--------------------|------------------------|
| | | | | | | | WET | DRY | | |
| 2" | .28 x 4 | 1.97 | 1.27 | F05 | 7.5 | 10.3 | 109 | 119 | 145 | 125 |
| 2-1/2" | .28 x 4 | 1.97 | 1.82 | F05 | 9.0 | 11.2 | 122 | 153 | 225 | 200 |
| 3" | .28 x 4 | 1.97 | 2.54 | F05 | 10.0 | 12.3 | 157 | 200 | 325 | 302 |
| 4" | .39 x 4 | 2.76 | 3.40 | F07 | 12.8 | 21.8 | 283 | 410 | 620 | 600 |
| 5" | .39 x 4 | 2.76 | 4.35 | F07 | 17.4 | 26.0 | 561 | 849 | 1125 | 1022 |
| 6" | .39 x 4 | 2.76 | 5.31 | F07 | 19.1 | 33.3 | 742 | 1014 | 1950 | 1579 |
| 8" | .47 x 4 | 4.02 | 7.58 | F10 | 34.1 | 45.1 | 1344 | 1901 | 3250 | 3136 |
| 10" | .55 x 4 | 4.92 | 9.52 | F12 | 48.4 | 65.1 | 2344 | 3693 | 5500 | 5340 |
| 12" | .55 x 4 | 4.92 | 11.49 | F12 | 77.7 | 94.2 | 3968 | 6311 | 8500 | 8250 |
| 14" | .55 x 4 | 4.92 | 12.68 | F12 | 90.5 | 123.5 | 5310 | 8243 | | 11920 |
| 16" | .71 x 4 | 5.51 | 14.96 | F14 | 135 | 212 | 8727 | 13488 | | 16390 |
| 18" | .71 x 4 | 5.51 | 16.85 | F14 | 175 | 269 | 10628 | 16796 | | 21700 |
| 20" | .71 x 4 | 5.51 | 18.62 | F14 | 283 | 446 | 13277 | 21412 | | 27900 |
| 24" | .91 x 4 | 6.50 | 22.52 | F16 | 415 | 596 | 17332 | 27955 | | 43100 |
| 30" | .71 x 8 | 10.00 | 28.58 | F25 | 926 | 926 | 33336 WET @ 150PSID | | | 73426 |
| 36" | .71 x 8 | 10.00 | 33.11 | F25 | 1455 | 1455 | 46528 WET @ 150PSID | | | 87500 |
| 42" | .71 x 8 | 10.00 | 39.33 | F25 | 1976 | 1976 | 79864 WET @ 150PSID | | | 117500 |
| 48" | .87 x 8 | 11.73 | 44.37 | F30 | 2822 | 2822 | 111112 WET @ 150PSID | | | 154000 |