



Series TB-SS & CS

Seal Welded 3-Way Ball Valves

FEATURES

- Seal Welded Construction for Safety
- Available in WCB Carbon Steel with 316SS Trim, or Full CF8M/316 Stainless Trim
- 2160WOG Rating on CF8M, 2220WOG on WCB
- Fully Compliant with ASME B16.34 Class 900
- All Models are NACE MR-01-75 Compliant
- "L" Port Design can Replace (2) Valves
- Fully Compliant with API608
- Standard ISO Actuator Mounting Pads on all Sizes
- Standard Locking Stainless Steel Handles
- The Safest 3-Way Valve Available!

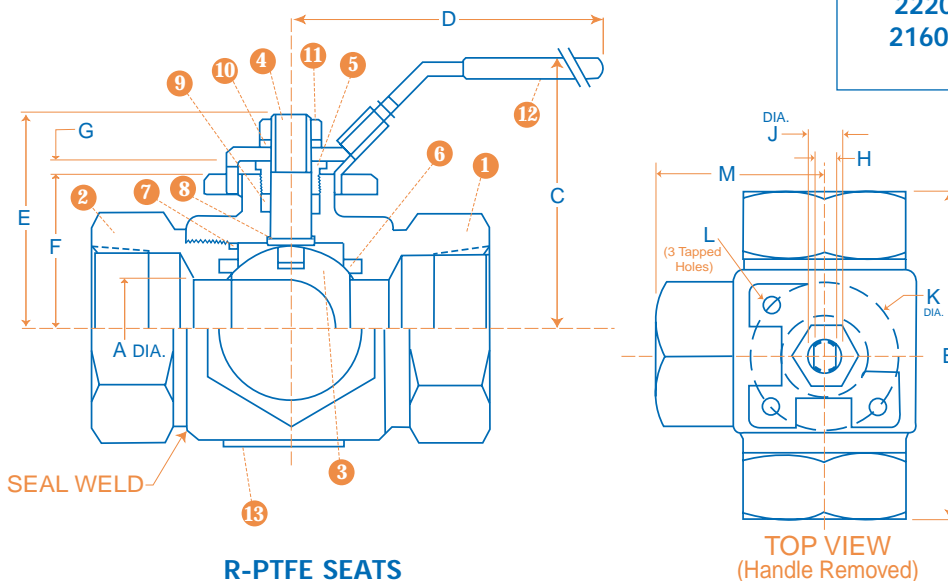


RATINGS

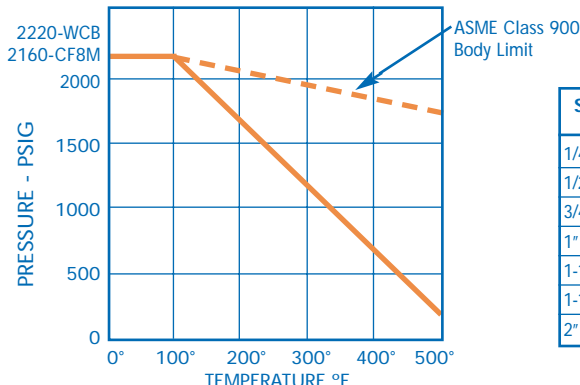
2220 PSIG @100F WATER, OIL, GAS (WCB)
2160 PSIG @100F WATER, OIL, GAS (CF8M)
250 PSIG SAT. STEAM

MATERIALS OF CONSTRUCTION

PART	DESCRIPTION	STANDARD MATERIAL
1	BODY	CF8M or WCB
2	TAILPIECE	CF8M or WCB
3	BALL	ASTM A276 GR. 316 SS
4	STEM	ASTM A276 GR. 316 SS
5	PACKING NUT	ASTM A276 GR. 316 SS
6	SEATS (2)	R-PTFE
7	TAILPIECE SEAL	GRAPHITE
8	THRUST WASHER	PTFE
9	STEM PACKING	GRAPHITE
10	LOCK WASHER	304 SS
11	HANDLE NUT	304 SS
12	HANDLE ASSY.	304 SS
13	NAME PLATE	300 SS



R-PTFE SEATS



DIMENSIONS, WEIGHTS, CV FACTORS & MAXIMUM OPERATING TORQUE

SIZE	A (Port)	B	C	D	E	F	G	H	J DIA	K DIA	L (3 TAPPED HOLES)	M	ISO PATTERN	WT. LBS.	Cv	MAX. TORQUE (R-PTFE)
1/4"-3/8"	0.43	2.7	2.3	5.1	1.53	0.78	0.35	0.20	0.31	1.42	1/4"-20 UNC	1.4	F03	1.3	4	50 in-lb
1/2"	0.43	2.7	2.3	5.1	1.53	0.78	0.35	0.20	0.31	1.42	1/4"-20 UNC	1.4	F03	1.3	5	75 in-lb
3/4"	0.59	3.1	2.8	5.8	2.06	1.03	0.43	0.28	0.44	1.65	1/4"-20 UNC	1.6	F04	2.3	12	120 in-lb
1"	0.79	3.6	2.9	5.8	2.33	1.34	0.40	0.28	0.44	1.65	1/4"-20 UNC	1.8	F04	3.0	15	140 in-lb
1-1/4"	1.00	4.1	3.5	7.4	2.76	1.61	0.45	0.35	0.56	1.97	1/4"-20 UNC	2.1	F05	5.0	20	250 in-lb
1-1/2"	1.25	4.3	3.7	7.4	2.98	1.83	0.45	0.35	0.56	1.97	1/4"-20 UNC	2.2	F05	7.0	33	350 in-lb
2"	1.50	5.0	4.0	7.4	3.18	2.00	0.47	0.35	0.56	1.97	1/4"-20 UNC	2.6	F05	10.5	48	420 in-lb

Quadrant[®]

VALVE & ACTUATOR, LLC

SERIES TB-SS & CS

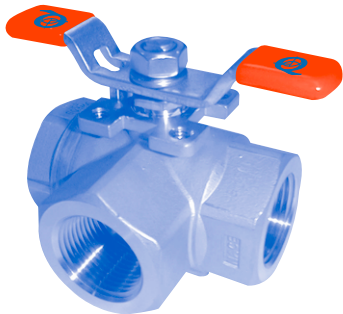
REV. 10/03

NUMBERING SYSTEM ... HOW TO ORDER:

TB R S S R G SL TT 100

SERIES	PORT SIZE	BODY MATERIAL	BALL/STEM MAT'L	SEAT MAT'L	SEAL MAT'L	HANDLE TYPE	ENDS	SIZE
TB = SEAL WELDED 3-WAY 2160WOG(SS) 2220WOG(CS) 1800WOG(A-20)	R=REDUCED F= FULL (1/4"-3/8")	S = STAINLESS (ASTM A351-CF8M) C = CARBON (A216-WCB) A = ALLOY 20 (A351-CN7M)	S = 316 STAINLESS A = ALLOY 20 H = HASTELLOY	R = R-PTFE P = PEEK	G = GRAPHITE R = R-PTFE	SL = STAINLESS LATCH LOCK (STANDARD) SO = STAINLESS OVAL LO = LOCKING STAINLESS OVAL ST = 304SS TEE HANDLE PA = DOUBLE ACTING PNEUMATIC SA = SPRING RETURN PNEUMATIC SR = DEADMAN HANDLE EA = 115VAC ELECTRIC ACTUATED	TT = FNPT	025 = 1/4" 038 = 3/8" 050 = 1/2" 075 = 3/4" 100 = 1" 125 = 1-1/4" 150 = 1-1/2" 200 = 2"

OPTIONS & OTHER QUADRANT PRODUCTS:



TB-SS with 304SS Tee Handle



TB-SS with C-Series Actuator & 304-SS Mounting Kit



TB-SS with 304SS Locking Oval Handle



1" M2-SS with Extended Socket Weld Ends



S10-SS ASME Class 4500 10,800 WOG Ball Valve