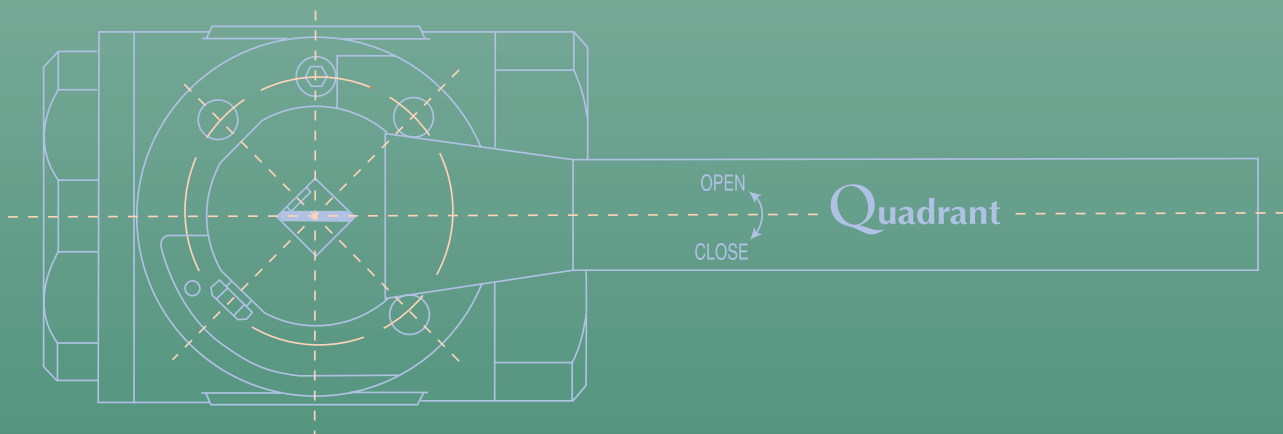


# Quadrant

VALVE & ACTUATOR, LLC



## THREADED OILFIELD BALL VALVES





# Series QA & QH

## Threaded Ductile Iron Oilfield Ball Valves

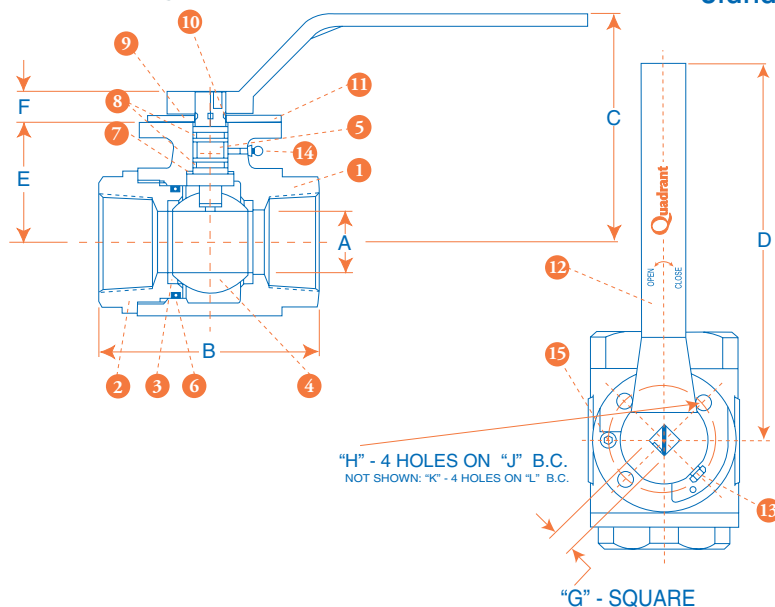


### RATINGS

Series QA: 1" FP – 3" RP 1500 PSI  
 3" FP – 4" RP 1000 PSI  
 Series QH: 1" FP – 2" FP 2000 PSI

### FEATURES

- Standard 2-piece Ductile Iron Construction
- Standard 316 Stainless Steel Trim
- Standard Viton Seals
- Standard Hostaflon (TFM) Seat Material which allows Elevated Temperature Applications (225F @ 1500 PSI)
- NACE MR-01-75 Compliant
- Grease Fitting on Valve Body to Lubricate Stem and Protect Stem Bore from Corrosion
- Standard ISO Actuator Mounting Pads
- Patented Square Stem Design for Direct Mount Actuation
- Standard Locking Devices for Lockout Capabilities



### QA & QH MATERIALS OF CONSTRUCTION

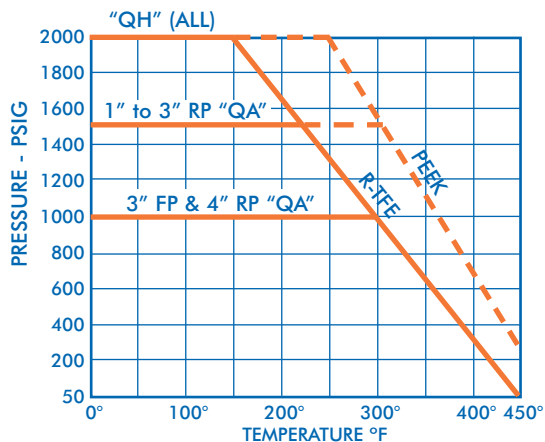
PART	QTY.	DESCRIPTION	STANDARD MATERIAL
1	1	BODY	A395 DUCTILE IRON
2	1	TAILPIECE	A395 DUCTILE IRON
3	2	SEAT	HOSTAFLOX (R-PTFE)
4	1	BALL	316SS
5	1	STEM	316SS
6	1	BODY O-RING	VITON
7	1	THRUST WASHER	PEEK
8	2	STEM O-RING	VITON
9	1	PLATE WASHER	NYLON
10	1	TRU-ARC RING	CARBON STEEL
11	1	STOP PLATE	PLATED CARBON STEEL
12	1	HANDLE	DUCTILE IRON
13	1	HANDLE BOLT	PLATED CARBON STEEL
14	1	GREASE FITTING	PLATED CARBON STEEL
15	1	STOP BOLT	PLATED CARBON STEEL

### DIMENSIONS - SERIES QA

SIZE	A	B	C	D	E	F	G	H(DIA)	J(DIA)	K(DIA)	L(DIA)	ISO	WT(LBS)	CV	MAX TORQUE
1" FP	1.0	4.2	3.5	7.0	2.2	0.76	11MM	0.26	1.97	N/A	N/A	F05	5.0	62	150 IN-LBS
1-1/2" FP	1.5	5.6	5.6	9.5	2.9	0.76	14MM	0.40	2.76	0.26	1.97	F05/07	13.0	140	350 IN-LBS
2" RP	1.5	5.6	5.6	9.5	2.9	0.76	14MM	0.40	2.76	0.26	1.97	F05/07	12.5	115	350 IN-LBS
2" FP	2.0	6.5	6.0	9.5	3.3	0.76	17MM	0.40	2.76	N/A	N/A	F07	19.0	365	500 IN-LBS
2-1/2" RP	2.0	7.3	6.0	9.5	3.3	0.76	17MM	0.40	2.76	N/A	N/A	F07	24.0	265	500 IN-LBS
3" RP	2.0	7.3	6.0	9.5	3.3	0.76	17MM	0.40	2.76	N/A	N/A	F07	23.0	265	500 IN-LBS
3" FP	3.0	8.8	7.0	14.0	4.5	0.76	22MM	0.40	2.76	N/A	N/A	F07	52.0	1100	1000 IN-LBS
4" RP	3.0	8.8	7.0	14.0	4.5	0.76	22MM	0.40	2.76	N/A	N/A	F07	47.0	680	1000 IN-LBS

### DIMENSIONS - SERIES QH

SIZE	A	B	C	D	E	F	G	H(DIA)	J(DIA)	K(DIA)	L(DIA)	ISO	WT(LBS)	CV	MAX TORQUE
1" FP	1.0	4.2	3.5	7.0	2.2	0.76	11MM	0.26	1.97	N/A	N/A	F05	5.0	62	150 IN-LBS
1-1/2" FP	1.5	5.6	5.6	9.5	2.9	0.76	14MM	0.40	2.76	0.26	1.97	F05/07	13.0	140	350 IN-LBS
2" RP	1.5	5.6	5.6	9.5	2.9	0.76	14MM	0.40	2.76	0.26	1.97	F05/07	12.5	115	350 IN-LBS
2" FP	2.0	6.5	6.0	9.5	3.3	0.76	17MM	0.40	2.76	N/A	N/A	F07	19.0	365	500 IN-LBS





# Series QC, QB, QX

## Carbon Steel Oilfield Ball Valves



### RATINGS

#### Series QC

1" FP - 3" RP 2500 PSI  
 3" FP - 4" RP 1500 PSI  
 4" FP - 750 PSI

#### Series QB

1" FP - 3" FP  
 3000 PSI

#### Series QX

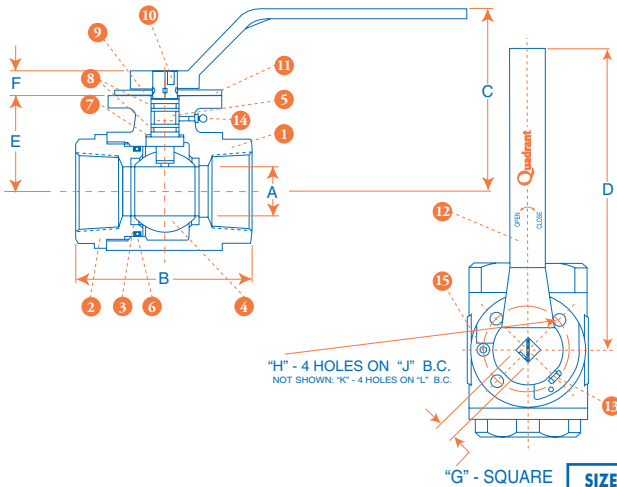
1" FP - 2" RP  
 5000 PSI

### FEATURES

- Standard 2-piece Carbon Steel Construction for High Pressure Service
- Standard 316 Stainless Steel Trim
- Standard Viton Seals
- NACE MR-01-75 Compliant
- Grease Fitting on Valve Body to Lubricate Stem and Protect Stem Bore from Corrosion
- Standard ISO Actuator Mounting Pads
- Patented Square Stem Design for Direct Mount Actuation
- Standard Locking Devices for Lockout Capabilities
- 2" FP - 3" FP Series QB & all Series QX Valves include Standard PEEK Seats for Elevated Pressure and Temperature Requirements

### QC, QB, QX MATERIALS OF CONSTRUCTION

PART	QTY.	DESCRIPTION	STANDARD MATERIAL
1	1	BODY	ASTM A216 GRADE WCB
2	1	TAILPIECE	ASTM A216 GRADE WCB
3	2	SEAT	HOSTAFLOX (R-PTFE)
3A	2	SEAT	PEEK (2" FP to 3" FP QB & ALL QX)
4	1	BALL	316SS
5	1	STEM	316SS
6	1	BODY O-RING	VITON
7	1	THRUST WASHER	PEEK
8	2	STEM O-RING	VITON
9	1	PLATE WASHER	NYLON
10	1	TRU-ARC RING	CARBON STEEL
11	1	STOP PLATE	PLATED CARBON STEEL
12	1	HANDLE	DUCTILE IRON
13	1	HANDLE BOLT	PLATED CARBON STEEL
14	1	GREASE FITTING	PLATED CARBON STEEL
15	1	STOP BOLT	PLATED CARBON STEEL



### DIMENSIONS - SERIES QC

SIZE	A	B	C	D	E	F	G	H(DIA)	J(DIA)	K(DIA)	L(DIA)	ISO	WT(LBS)	CV	MAX TORQUE
1" FP	1.0	4.2	3.5	7.0	2.2	0.76	11MM	0.26	1.97	N/A	N/A	F05	5.0	62	150 IN-LBS
1-1/2" FP	1.5	5.6	5.6	9.5	2.9	0.76	14MM	0.40	2.76	0.26	1.97	F05/07	13.0	140	350 IN-LBS
2" RP	1.5	5.6	5.6	9.5	2.9	0.76	14MM	0.40	2.76	0.26	1.97	F05/07	12.5	115	350 IN-LBS
2" FP	2.0	6.5	6.0	9.5	3.3	0.76	17MM	0.40	2.76	N/A	N/A	F07	19.0	365	500 IN-LBS
2-1/2" RP	2.0	7.3	6.0	9.5	3.3	0.76	17MM	0.40	2.76	N/A	N/A	F07	24.0	265	500 IN-LBS
3" RP	2.0	7.3	6.0	9.5	3.3	0.76	17MM	0.40	2.76	N/A	N/A	F07	23.0	265	500 IN-LBS
3" FP	3.0	8.8	7.0	14.0	4.5	0.76	22MM	0.40	2.76	N/A	N/A	F07	52.0	1100	1000 IN-LBS
4" RP	3.0	8.8	7.0	14.0	4.5	0.76	22MM	0.40	2.76	N/A	N/A	F07	47.0	680	1000 IN-LBS
4" FP	4.0	9.4	8.5	24	5.5	0.91	22MM	0.48	4.02	0.40	2.76	F07/F10	60.0	2200	2000 IN-LBS

### DIMENSIONS - SERIES QB

SIZE	A	B	C	D	E	F	G	H(DIA)	J(DIA)	K(DIA)	L(DIA)	ISO	WT(LBS)	CV	MAX TORQUE
1" FP	1.0	4.2	3.5	7.0	2.2	0.76	11MM	0.26	1.97	N/A	N/A	F05	5.0	62	150 IN-LBS
1-1/2" FP	1.5	5.6	5.6	9.5	2.9	0.76	14MM	0.40	2.76	0.26	1.97	F05/07	13.0	140	350 IN-LBS
2" RP	1.5	5.6	5.6	9.5	2.9	0.76	14MM	0.40	2.76	0.26	1.97	F05/07	12.5	115	350 IN-LBS
2" FP	2.0	6.5	6.0	9.5	3.3	0.76	17MM	0.40	2.76	N/A	N/A	F07	19.0	365	1000 IN-LBS
2-1/2" RP	2.0	7.3	6.0	9.5	3.3	0.76	17MM	0.40	2.76	N/A	N/A	F07	24.0	265	1000 IN-LBS
3" RP	2.0	7.3	6.0	9.5	3.3	0.76	17MM	0.40	2.76	N/A	N/A	F07	23.0	265	1000 IN-LBS
3" FP	3.0	8.8	7.0	14.0	4.5	0.76	22MM	0.40	2.76	N/A	N/A	F07	52.0	1100	1800 IN-LBS

### DIMENSIONS - SERIES QX

SIZE	A	B	C	D	E	F	G	H(DIA)	J(DIA)	K(DIA)	L(DIA)	ISO	WT(LBS)	CV	MAX TORQUE
1" FP	1.0	4.2	3.5	7.0	2.2	0.76	11MM	0.26	1.97	N/A	N/A	F05	5.5	62	600 IN-LBS
1-1/2" FP	1.5	5.6	5.6	9.5	2.9	0.76	14MM	0.40	2.76	0.26	1.97	F05/07	14.0	140	1200 IN-LBS
2" RP	1.5	5.6	5.6	9.5	2.9	0.76	14MM	0.40	2.76	0.26	1.97	F05/07	13.5	116	1200 IN-LBS

