



Series 22BP & BS

2-Piece Bronze Ball Valve

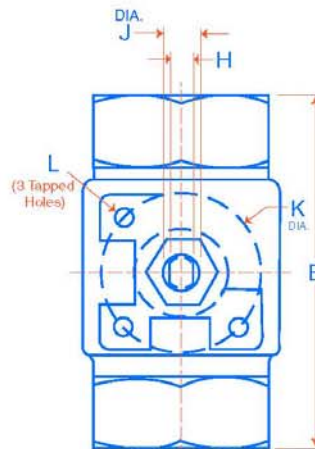
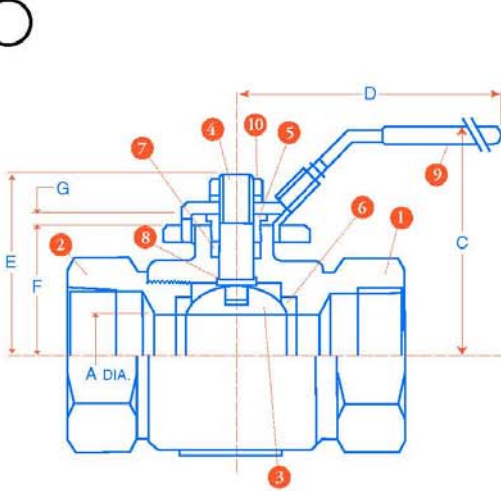


FEATURES

- Cast Heavy Wall Bronze Bodies
- Full Port 1/4"-1" Sizes
- 600 WOG Pressure Rating - All Sizes
- 250 PSIG Saturated Steam Rating
- 316 Stainless Steel Ball & Stem Available
- Locking Handles Available in Carbon and Stainless Steel
- 22-BS includes 316SS Ball & Stem and 304SS Handle & Nut
- ISO 5211 Tapped Mounting Pads

RATINGS

600 PSIG @100F WATER, OIL, GAS
250 PSIG SAT. STEAM



TOP VIEW
(Handle Removed)

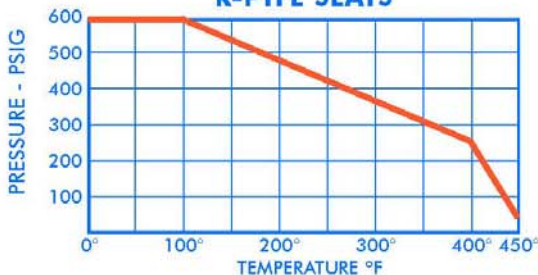
MATERIALS OF CONSTRUCTION

PART DESCRIPTION	22-BP	22-BS
1 BODY	Bronze B584 C84400	Bronze B584 C84400
2 TAILPIECE	Brass B124 C37700	Brass B124 C37700
3 BALL	Brass Chrome Plated	ASTM A276 Gr. 316SS
4 STEM	Brass B16 C36000	ASTM A276 Gr. 316SS
5 PACKING NUT	Brass B16 C36000	Brass B16 C36000
6 SEATS (2)	TFM	TFM
7 PACKING	Graphite	Graphite
8 THRUST WASHER	R-PTFE	R-PTFE
9 HANDLE ASSY	Carbon Steel - Zinc Plate	304 Stainless Steel
10 HANDLE NUT	Carbon Steel - Zinc Plate	304 Stainless Steel

DIMENSIONS, WEIGHTS, CV FACTORS & MAXIMUM OPERATING TORQUE

SIZE	A	B	C	D	E	F	G	H	J	K DIA.	L (3 TAPPED HOLES)	ISO PATTERN	WEIGHT LBS.	Cv	MAX. TORQUE (R-PTFE)
1/4-3/8"	.38	2.0	1.9	4.0	1.3	.7	.35	.20	.31	1.42	1/4"-20 UNC	F03	.7	9	60 IN-LB
1/2"	.50	2.4	1.9	4.0	1.6	.8	.35	.20	.31	1.42	1/4"-20 UNC	F03	.9	16	70 IN-LB
3/4"	.75	2.9	2.2	4.8	2.1	1.0	.43	.28	.44	1.65	1/4"-20 UNC	F04	2.2	35	100 IN-LB
1"	1.0	3.4	2.5	4.8	2.2	1.3	.40	.28	.44	1.65	1/4"-20 UNC	F04	2.4	60	160 IN-LB
1-1/4"	1.0	4.0	2.7	4.8	2.6	1.4	.45	.35	.56	1.97	1/4"-20 UNC	F05	2.6	52	200 IN-LB
1-1/2"	1.25	4.3	3.1	6.9	2.8	1.7	.45	.35	.56	1.97	1/4"-20 UNC	F05	3.6	80	250 IN-LB
2"	1.5	4.6	3.3	6.9	3.1	1.9	.47	.35	.56	1.97	1/4"-20 UNC	F05	5.6	115	370 IN-LB
2-1/2"	2.0	5.9	3.6	6.9	3.3	2.2	.47	.35	.56	1.97	1/4"-20 UNC	F05	9.0	265	440 IN-LB
3"	2.5	7.1	4.5	7.9	4.1	2.8	.49	.47	.75	2.76	5/16"-20 UNC	F07	16.0	420	500 IN-LB
4"	3.0	7.5	4.8	7.9	4.4	3.1	.49	.47	.75	2.76	5/16"-20 UNC	F07	17.0	500	580 IN-LB

R-PTFE SEATS



Quadrant[®]

VALVE & ACTUATOR, LLC

SERIES 22 BP & BS

REV. 3/05

NUMBERING SYSTEM ... HOW TO ORDER:

22 F B P R G LH TT 050

SERIES	PORT SIZE	BODY MATERIAL	BALL/STEM MAT'L	SEAT MAT'L	SEAL MAT'L	HANDLE TYPE	ENDS	SIZE
22 = 2 PIECE	F=FULL (1/4" - 1") R=REDUCED (1-1/4" - 2")	B=BRONZE	P=PLATED BRASS S=316 STAINLESS	R=TFM(R-PTFE) V=VIRGIN PTFE U=UHMW	G=GRAPHITE R=R-PTFE V=VIRGIN PTFE U=UHMW	LH=CS LEVER LL= CS LATCH LOCK SL= STAINLESS LATCH LOCK TH= TEE HANDLE CO=CS OVAL LO=LOCKING STAINLESS OVAL XH=EXTENDED HANDLE BS= BALANCING STOP HANDLE	TT=FNPT MT=MxF NPT	025 = 1/4" 038 = 3/8" 050 = 1/2" 075 = 3/4" 100 = 1" 125 = 1-1/4" 150 = 1-1/2" 200 = 2" 250 = 2-1/2" 300 = 3" 400 = 4"



**22 Series with ISO
Extended Topworks**



**22 Series Safety
Exhaust Valve**



**22 Series with
Oval Handle and
Locking Bracket**