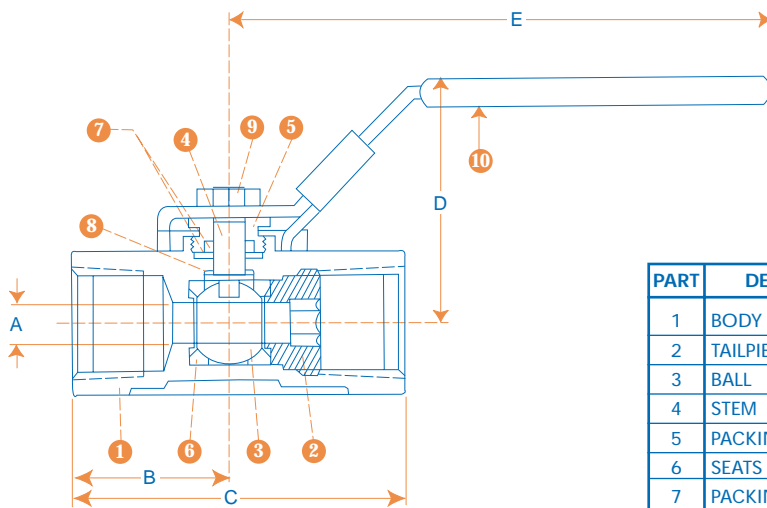


FEATURES

- Investment Cast CF8M Stainless or WCB Carbon Steel Bodies
- 2000 WOG - All Sizes
- All Models are NACE Compliant
- All Models are API 607 4th Edition Fire Safe
- Standard Latch-Lock Handles
- Standard 316SS Ball & Stem
- 250 PSI Saturated Steam Rating



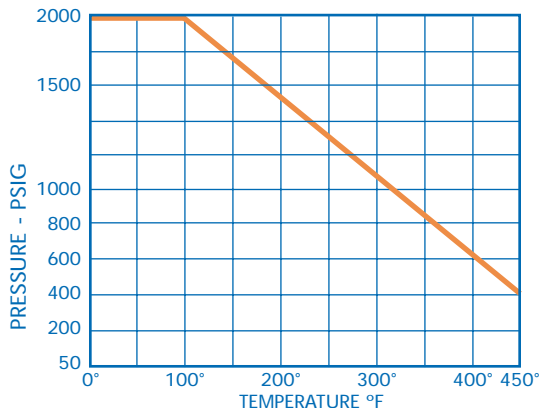
RATINGS

2000 PSIG @100F Water, Oil, Gas
All Sizes ... 250 PSIG Saturated Steam

MATERIALS OF CONSTRUCTION

PART	DESCRIPTION	12-CS	12-SS
1	BODY	ASTM A216 WCB	ASTM A351 Gr. CF8M
2	TAILPIECE	AISI 1017 CS	ASTM A276 Gr. 316SS
3	BALL	ASTM A276 Gr. 316SS	ASTM A276 Gr. 316SS
4	STEM	ASTM A276 Gr. 316SS	ASTM A276 Gr. 316SS
5	PACKING NUT	ASTM A276 Gr. 316SS	ASTM A276 Gr. 316SS
6	SEATS (2)	R-PTFE	R-PTFE
7	PACKING	Graphite	Graphite
8	THRUST WASHER	R-PTFE	R-PTFE
9	HANDLE NUT	Carbon Steel - Plated	304 Stainless Steel
10	HANDLE ASSY	Carbon Steel - Plated	304 Stainless Steel

R-PTFE SEATS



DIMENSIONS, WEIGHTS, CV FACTORS & MAXIMUM OPERATING TORQUE

SIZE	A	B	C	D	E	WEIGHT LBS.	Cv	MAX. TORQUE
1/4-3/8"	0.31	1.10	2.28	1.97	4.30	.7	4.0	60 IN-LB
1/2"	0.31	1.20	2.60	1.97	4.30	.7	4.0	60 IN-LB
3/4"	0.47	1.31	2.83	2.20	4.30	1.0	8.0	75 IN-LB
1"	0.62	1.50	3.23	2.56	5.75	1.6	14.0	150 IN-LB
1-1/4"	0.81	1.65	3.54	2.76	5.75	2.3	19.0	180 IN-LB
1-1/2"	1.00	1.85	3.86	3.29	7.40	3.3	33.0	300 IN-LB
2"	1.25	2.10	4.33	3.49	7.40	4.7	51.0	400 IN-LB

Quadrant

VALVE & ACTUATOR, LLC

SERIES 12 CS & SS

NUMBERING SYSTEM ... HOW TO ORDER:

12 D S S R G SL TT 100

SERIES	PORT SIZE	BODY MATERIAL	BALL/STEM MAT'L	SEAT MAT'L	SEAL MAT'L	HANDLE TYPE	ENDS	SIZE
12 = UNIBODY INVESTMENT CAST	D = DOUBLE REDUCED PORT	C = A216 GRADE WCB S = A351 GRADE CF8M	S = 316 STAINLESS	R = R-PTFE P = PEEK	G = GRAPHITE	LL = CS LATCH LOCK SL = STAINLESS LATCH LOCK LO = LOCKING ST = 304SS TEE HANDLE	TT = FNPT	025 = 1/4" 038 = 3/8" 050 = 1/2" 075 = 3/4" 100 = 1" 125 = 1-1/4" 150 = 1-1/2" 200 = 2"



12DSS with
SS Latching Oval



12DCS with
SS Tee Handle