



## TYPE D & D2 DIFFERENTIAL PRESSURE VALVE

SIZES 1/4" – 1/2"  
PRESSURES to 600 PSIG at 750°F

- Self-contained
- Direct Operated
- Normally Open
- Packless Construction
- Accurate Regulation Unaffected by Service Conditions
- Easy In-line Maintenance
- Five Spring Ranges for Improved Control
- Utilizes Many Standard D/D2 Pilot Components

### APPLICATION DATA

- Pressure Regulating for Steam Distribution
- Regulating for Fluid, Gas and Vapor Process Control
- Processes with Small, Relatively Steady Flow Rates

### VALVE RATINGS

Construction	Pressure PSIG (bar)	Temperature °F (°C)
Cast Iron	250 (17.2)	@ 400 (204)
Cast Steel	600 (41.4)	@ 750 (400)

### SPRING PRESSURE RANGES (PSIG)

TYPE D	TYPE D2
3-20	100-300
5-50	
10-100	
20-150	

Canadian Registration # OC 0591.9C

*Installation Tip:* Add Uniflex Pipe Coupling for ease of maintenance  
SEE PAGE 102

### MODELS

- **TYPE D VALVE** — ±1 PSI control of delivery pressure between 3 and 150 PSI
- **TYPE D2 VALVE** — ±2 PSI control of delivery pressure between 100 and 300 PSI

### OPTIONS

- Enclosed Spring Chamber Handwheel
- Adjusting
- Composition Disc
- Locking Device
- Wall Bracket

### TYPICAL CONFIGURATIONS

PRESSURE REDUCING .....TYPE D VALVE  
PRESSURE REDUCING .....TYPE D2 VALVE

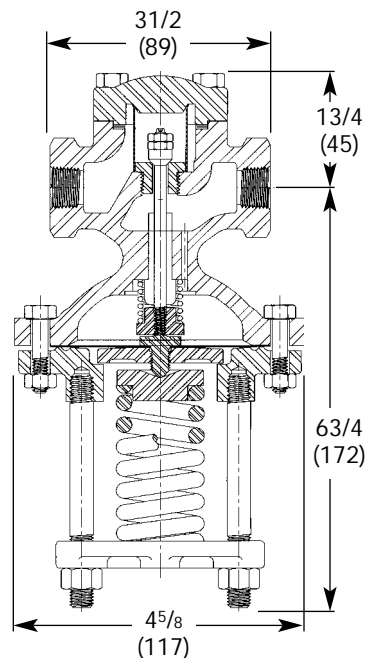
# TYPE D & D2 DIFFERENTIAL PRESSURE VALVE

## SPECIFICATION

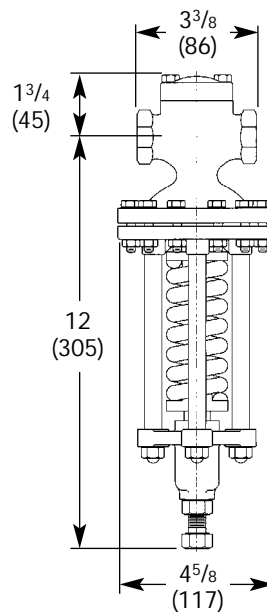
The Valve shall be of normally open design with packless construction. A strainer Screen shall be built into the valve inlet. The valve shall be single- seated, spring loaded and diaphragm actuated.

## MATERIALS OF CONSTRUCTION

Body, Cast Iron .....ASTM A126 CI B  
 Body, Cast Steel .....ASTM A216 GR. WCB  
 Stem .....303 St. Stl. ASTM A582 COND A  
 Disc .....440 St. St. ASTM A276-75 COND A  
 Seat .....420 St. Stl ASTM A276 COND A  
 Gasket .....Non-Asbestos  
 Diaphragm .....301 St. Stl. MIL-5-5059C  
 Spring .....Inconel



**D VALVE**  
**7.3 LBS.**  
**(3.3 KG)**



**D2 VALVE**  
**10.6 LBS.**  
**(4.8 KG)**

NOTES: