

LIQUIDATOR UMT-TD Series Thermodynamic Steam Trap

Applications

- Unit Heaters
- Steam Tracing
- Drip Legs
- Tire Presses
- Laundry Equipment
- Plating Tanks
- Platen Presses
- Cooking Equipment

Pressures To 450 PSIG
Temperatures to 650°F

Easily Maintained

Four bolt cover permits easy in-line rebuilding for less than the cost of replacement.

Optional Integral Strainer

Helps prevent dirt and scale build-up on valve seat.

Excellent Energy Savings

Positive shutoff assures no loss of steam during normal operation.

Fits all Universal Connectors

Liquidator body will replace any manufacturers' universal mount trap body.

Easily Replaced

Two bolt design permits rapid removal without breaking pipe connections.

Freeze Proof

Self draining when installed vertically.

Durability and Long Service Life

Stainless steel body and cover with stainless steel Celtron® Cartridge for maximum corrosion, thermal and hydraulic shock resistance.

Unaffected by Ambient Conditions

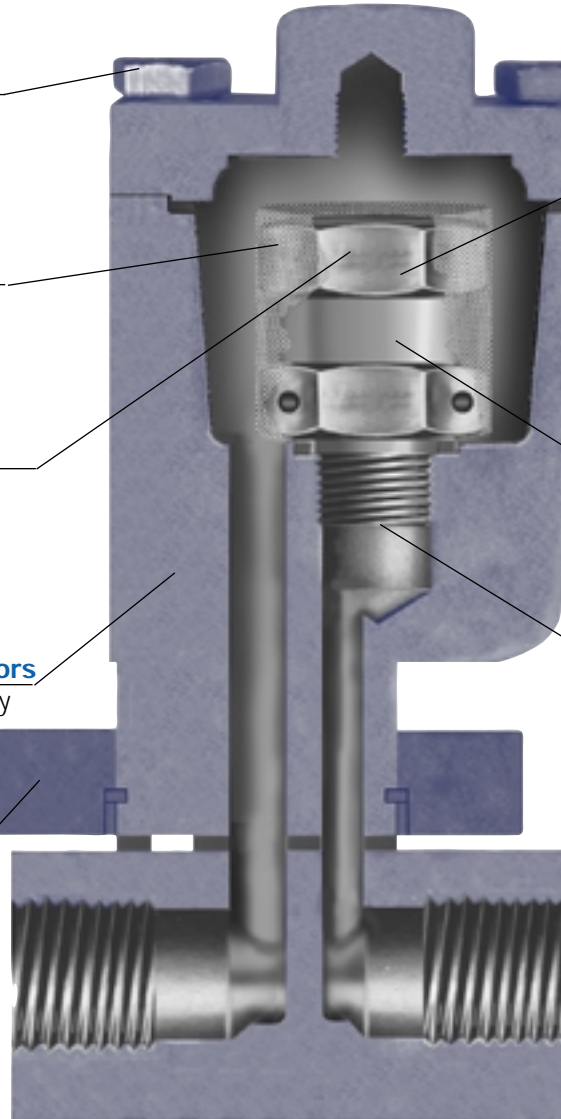
Steam jacketing minimizes steam loss.

Blast Discharge

Clears away dirt and scale.

3 Year Guarantee

Guaranteed against defects in material and workmanship.



THERMODYNAMIC STEAM TRAPS

NICHOLSON has a wide variety of Thermodynamic Steam Traps to accommodate applications through 600 psi. Most models utilize **NICHOLSON**'s exclusive Celtron® Cartridge. The Celtron® facilitates inline maintenance while simultaneously providing superior performance. The all-stainless NTD 600 is the value leader of the line, providing the performance **NICHOLSON** users have come to expect in a conventional, recognizable design.