

# PIPE GUIDES



For almost 100 years, **Keflex™** has set a standard of quality that few can match. Our products perform under the most demanding conditions and our service record is impeccable. **Keflex™** pipe guides are designed to ensure positive pipe alignment by restricting lateral pipe movement while allowing for movement along the axis of the pipe. The pipe guide consists of a spider guide that is clamped to the pipe whose movement is to be controlled. The guide body is anchored. The spider moves through the body as the pipe expands and contracts along the axis of the centerline. The pipe movement is directed into the expansion device for problem free operation. Used in conjunction with expansion joints, loops, and compensators, **Keflex™** pipe guides protect the integrity of the pipe, expansion devices and mechanical equipment for proper operation.

## Key Benefits:

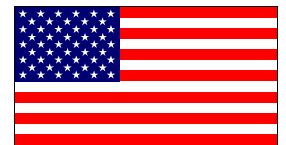
- All guides are constructed of carbon steel and coated for protection.
- Spider-housing design ensures positive pipe alignment, protecting pipe, expansion devices, and mechanical equipment.
- Bolted, split-housing construction is designed for easy assembly.
- Axial movement selection is specific to application requirements.
- Orders shipped unassembled for fast field installation.
- Pre-insulated models match insulated system piping to reduce time and labor on the job. (Requires field assembly.)

## Other Literature that pertains to this product line:

- Pipe Slides
- SEP—Single Externally Pressurized Expansion Joints
- DEP—Dual Externally Pressurized Expansion Joint
- Multi-Ply Expansion Joints
- Bellows Type Pump Connectors
- Compensators

## KEFLEX™ ADVANTAGES:

- ▶ Durable & Versatile
- ▶ Fast Lead Times
- ▶ Multiple Configurations
- ▶ Easy to Install
- ▶ Insulated or Uninsulated
- ▶ Proven Technology
- ▶ Engineering Assistance with Pipe Guide Location and Sizing Available At No Cost



**100%**  
**American Made**

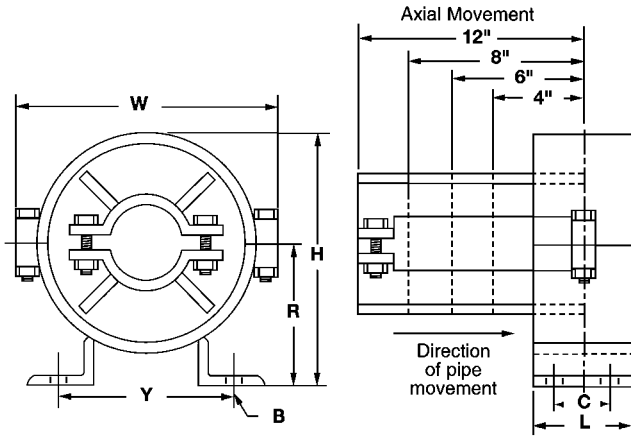
# PIPE GUIDES

Catalog#: KPG/0603

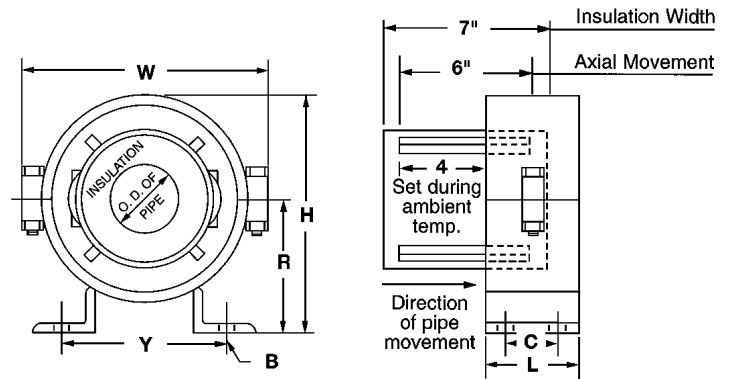
## PIPE GUIDE DIMENSIONS

Pipe guide data can be determined from the part number by using the chart below. Determine the housing size from the part number. Locate the housing size on the chart. The dimensions and approximate weight are given for that housing size. The length of the spider is the same as the axial movement.

### Uninsulated P & PC SERIES



### Pre-Insulated CP SERIES



HOUSING SIZE	PHYSICAL DIMENSIONS (INCHES)							APPROX. WEIGHT (LBS.)
	H	R	W	Y	B	C	L	
04	5-7/8	3-1/2	6-1/8	4-1/8	5/8	1-3/4	3	7
05	6-3/4	4	7-1/8	4-3/8	5/8	1-3/4	3	8
06	7-5/8	4-3/8	8-1/8	5-1/8	5/8	1-3/4	3	9
08	9-1/4	5-1/4	10-1/8	6-1/8	5/8	1-3/4	3	11
10	11-5/8	6-1/4	12-1/8	7	5/8	2-3/4	4	17
12	13-3/8	7	14-1/8	8-1/4	5/8	2-3/4	4	20
14	15-1/8	7-7/8	16-1/8	9-7/8	3/4	4	6	40
16	17	8-7/8	18-1/8	10-7/8	3/4	4	6	48
18	18-3/4	9-3/4	20-1/8	11-7/8	3/4	4	6	54
20	21	10-7/8	22-1/8	11-3/4	3/4	4	6	61
22	23-1/8	12-1/8	24-1/8	14-1/2	7/8	6	8	89
24	25	13	26-1/8	15-1/2	7/8	6	8	102
26	27-3/4	14-3/4	28-1/8	17-1/8	1-1/8	6	8	110
30	31-1/2	16-1/2	32-1/8	19-1/4	1-1/8	6	8	150

Cross-referencing to other manufacturer's pipe guides / equivalents is available upon request.

# PIPE GUIDES

## CP SERIES—INSULATED PIPE GUIDES

To order, you need to know pipe size, insulation thickness and axial movement. Cross-reference pipe size and allowable insulation thickness to locate part number. **Standard insulated pipe guides accommodate 6" of axial movement.**



Pipe guide with  
1" insulation

PIPE SIZE (inches)	PRE-INSULATION THICKNESS			
	1-1/2"	2"	3"	4"
1/2	F004CP25014	F004CP26020	F004CP27030	F004CP28040
3/4	F006CP25014	F006CP26020	F006CP27030	F006CP27040
1	F010CP25014	F010CP26020	F010CP27030	F010CP28040
1-1/4	F012CP26014	F012CP26020	F012CP27030	F012CP28040
1-1/2	F014CP26014	F014CP26020	F014CP27030	F014CP28040
2	F020CP26014	F020CP27020	F020CP28030	F020CP28040
2-1/2	F024CP26014	F024CP27020	F024CP28030	F024CP29040
3	F030CP27014	F030CP27020	F030CP28030	F030CP29040
4	F040CP27014	F040CP28020	F040CP29030	F040CP30040
5	F050CP28014	F050CP28020	F050CP29030	F050CP30040
6	F060CP28014	F060CP29020	F060CP30030	F060CP31040
8	F080CP29014	F080CP30020	F080CP31030	F080CP32040
10	F100CP31014	F100CP31020	F100CP32030	F100CP33040
12	F120CP32014	F120CP32020	F120CP33030	F120CP34040
14	F140CP32014	F140CP33020	F140CP34030	F140CP35040
16	F160CP33014	F150CP34020	F160CP35030	F160CP36040
18	F180CP34014	F180CP35020	F180CP36030	F180CP36040

**Description of Part Number: ex: F014CP25014**

F = Flex-Weld

014 = I.D. in 1/8" increments (in this case, 014 would be 1-1/2")

CP = Insulated Carbon Steel Pipe Guide

25 = Housing Size (predetermined)

014 = Insulation Thickness in 1/8" increments (in this case, 014 would be 1-1/2")

**NOTES:**

- Sizes 8" and above are supplied with 4 bolts.
- For sizes over 24" - contact Flex-Weld, Inc.
- Insulated pipe guides require field assembly.

# PIPE GUIDES

## P & PC\* SERIES—UNINSULATED PIPE GUIDES

To order, you need to know pipe size, insulation thickness and axial movement. Cross-reference pipe size and allowable insulation thickness to locate part number. Pipe guides can accommodate up to 12" axial movement, unless specified, minimum movement will be assumed. **It is critical to match the guide movement to the movement of the expansion joint selected for the individual pipe run.**



Pipe guide with 4" axial movement spider



Pipe guide with 8" axial movement spider



Pipe guide with 12" axial movement spider

Pipe Size (inches)	Allowable Insulation Thickness						
	1"	1-1/2"	2"	2-1/2"	3"	3-1/2"	4"
1/2	F004P23	F004P23	F004P24	F004P25	F004P26	F004P26	F004P27
3/4	F006P23	F006P24	F006P25	F006P26	F006P26	F006P27	F006P27
1	F010P23	F010P24	F010P24	F010P26	F010P26	F010P27	F010P27
1-1/4	F012P23	F012P24	F012P25	F012P26	F012P26	F012P27	F012P27
1-1/2	F014P24	F014P24	F014P25	F014P26	F014P26	F014P27	F014P27
2	F020P24	F020P25	F020P26	F020P26	F020P27	F020P27	F020P28
2-1/2	F024P25	F024P25	F024P26	F024P26	F024P27	F024P27	F024P28
3"	F030P25	F030P26	F030P26	F030P27	F030P27	F030P28	F030P28
4	F040P26	F040P26	F040P27	F040P27	F040P28	F040P28	F040P29
5	F050P27	F050P27	F050P27	F050P28	F050P28	F050P29	F050P30
6	F060P27	F060P27	F060P28	F060P28	F060P29	F060P30	F060P30
8	F080P28	F080P28	F080P29	F080P30	F080P30	F080P31	F080P31
10	F100P30	F100P30	F100P30	F100P31	F100P31	F100P32	F100P32
12	F120P31	F120P31	F120P31	F120P32	F120P32	F120P33	F120P33
14	F140P32	F140P32	F140P32	F140P32	F140P33	F140P33	F140P34
16	F160P33	F160P33	F160P33	F160P33	F160P34	F160P34	F160P35
18	F180P34	F180P34	F180P34	F180P34	F180P35	F180P35	F180P36
20	F200P35	F200P35	F200P35	F200P35	F200P36	F200P36	F200P36
24	F240P36	F240P36	F240P36	F240P36	-	-	-

Description of Part Number: ex: F010P23 or F010PC23

F = Flex-Weld  
 O10= Size in 1/8" increments (in this case, O10 would be 1")  
 P = Uninsulated Guide for Carbon Steel Pipe  
 PC = Uninsulated Guide for Copper Tube

**NOTES:**

- Copper tube guides are supplied with dielectric spacers.
- Use the 1" thickness column when no insulation is required.

Toll Free: 1-800-323-6893