



Date: 10/03/11
To: Asahi/America Distributors
From: Asahi/America Sales and Engineering
Subject: Type 57IL Part Number Modification
Size Range: 3” – 14” Lever and Plasgear™

Asahi/America has modified our current part numbering system for our Type 57IL Isolator Lug Butterfly Valves. These changes will affect items found on pages ' , ž' - ž(' ž((/ ' () ' in our 46A Valves List Price Book.

This change is being implemented to eliminate confusion regarding which valve body you will be receiving when you order a 57IL Butterfly Valve. This change only affects the PVC body valves.

The new part numbering system will be as follows:

- All ' ž(ž* ž, žž\$ ž / ' ž ž ' Type 57IL PVC body Butterfly Valves will start with the number “11.” The “11” signifies that the valve you have ordered will be manufactured using the new Type 57IL body with molded-in lugs.
- All žžž žž žžž / ' ž ž ' Type 57 lugged PVC body Butterfly Valves will maintain its 7 digit core part number which begins with a “3.” These sizes will be manufactured using the Type 57 PVC body and factory installed lugs.

Included in this package is a supplemental price sheet with the correct part numbers listed for all Type 57IL Butterfly Valves. In addition, you will find a copy of the Type 57IL data sheet.

Please note, we will NOT be printing a version of this supplement and it will only be available in electronic format. It will be available in print as part of our next price sheet, 47A. The datasheets will be printed as part of our new Valve and Actuation Catalog, which will be available later this month.

We believe this modification will benefit you and your customers and apologize for any inconvenience.

Should you have any questions or concerns regarding this please contact Noreen Smith in our Customer Service Department at 781-321-5409.

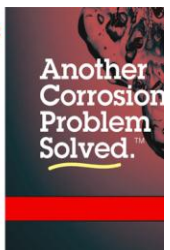
Sincerely,
Dan Anderson
Vice President of Sales & Marketing
Asahi/America Inc.

Ä



Thermoplastic
Valves,
Actuation
& Controls

www.asahi-america.com



Asahi / America Thermoplastic Valves & Actuators List Price Sheet #46A-Supplimental Type-57IL Butterfly Valves



Another
Corrosion
Problem
Solved.™



NEW!



Type-57 IL
Lever

Type-57 Butterfly Valves Lug Style - Lever Operation			
Size	PVC Body PP Disc Lug Style	EPDM Seat/Seals	
		316 SS Lugs Part Number	List Price
1-1/2"	T-57 Lever	3772015	673.00
2"	T-57 Lever	3772020	684.00
2-1/2"	T-57 Lever	3772025	717.00
3"	T-57 IL Lever	113772030	707.00
4"	T-57 IL Lever	113772040	1199.00
6"	T-57 IL Lever	113772060	1562.00
8"	T-57 IL Lever	113772080	2110.00
Discount Code			B

Type-57 Butterfly Valves Lug Style - Lever Operation			
Size	PVC Body PP Disc Lug Style	Nitrile Seat/Seals	
		316 SS Lugs Part Number	List Price
1-1/2"	T-57 Lever	3873015	673.00
2"	T-57 Lever	3873020	684.00
2-1/2"	T-57 Lever	3873025	717.00
3"	T-57 IL Lever	113873030	707.00
4"	T-57 IL Lever	113873040	1199.00
6"	T-57 IL Lever	113873060	1562.00
8"	T-57 IL Lever	113873080	2110.00
Discount Code			B

Type-57 Butterfly Valves Lug Style - Lever Operation			
Size	PVC Body PP Disc Lug Style	FKM Seat/Seals	
		316 SS Lugs Part Number	List Price
1-1/2"	T-57 Lever	3776015	700.00
2"	T-57 Lever	3776020	656.00
2-1/2"	T-57 Lever	3776025	809.00
3"	T-57 IL Lever	113776030	713.00
4"	T-57 IL Lever	113776040	1119.00
6"	T-57 IL Lever	113776060	1572.00
8"	T-57 IL Lever	113776080	2201.00
Discount Code			C

Type-57 IL Isolator Lug Butterfly Valves - Lever PVC/PVC

NEW!



Type-57 IL
Lever

Type-57 Butterfly Valves Lug Style - Lever Operation			
Size	PVC Body PVC Disc Lug Style	EPDM Seat/Seals	
		316 SS Lugs	List Price
		Part Number	
1-1/2"	T-57 Lever	3780015	701.00
2"	T-57 Lever	3780020	720.00
2-1/2"	T-57 Lever	3780025	755.00
3"	T-57 IL Lever	113780030	756.00
4"	T-57 IL Lever	113780040	1253.00
6"	T-57 IL Lever	113780060	1650.00
8"	T-57 IL Lever	113780080	2219.00
Discount Code			B

Type-57 Butterfly Valves Lug Style - Lever Operation			
Size	PVC Body PVC Disc Lug Style	Nitrile Seat/Seals	
		316 SS Lugs	List Price
		Part Number	
1-1/2"	T-57 Lever	3875015	701.00
2"	T-57 Lever	3875020	720.00
2-1/2"	T-57 Lever	3875025	755.00
3"	T-57 IL Lever	113875030	756.00
4"	T-57 IL Lever	113875040	1253.00
6"	T-57 IL Lever	113875060	1650.00
8"	T-57 IL Lever	113875080	2219.00
Discount Code			B

Type-57 Butterfly Valves Lug Style - Lever Operation			
Size	PVC Body PVC Disc Lug Style	FKM Seat/Seals	
		316 SS Lugs	List Price
		Part Number	
1-1/2"	T-57 Lever	3784015	700.00
2"	T-57 Lever	3784020	656.00
2-1/2"	T-57 Lever	3784025	809.00
3"	T-57 IL Lever	113784030	713.00
4"	T-57 IL Lever	113784040	1119.00
6"	T-57 IL Lever	113784060	1572.00
8"	T-57 IL Lever	113784080	2201.00
Discount Code			C

Butterfly Valves

NEW!



Type-57 IL
Lever

Type-57 Butterfly Valves Lug Style - Lever Operation			
Size	PVC Body PVDF Disc Lug Style	EPDM Seat/Seals	
		316 SS Lugs Part Number	List Price
1-1/2"	T-57 Lever	3857015	562.00
2"	T-57 Lever	3857020	570.00
2-1/2"	T-57 Lever	3857025	611.00
3"	T-57 IL Lever	113857030	623.00
4"	T-57 IL Lever	113857040	989.00
6"	T-57 IL Lever	113857060	1431.00
8"	T-57 IL Lever	113857080	2014.00
Discount Code			C

Type-57 Butterfly Valves Lug Style - Lever Operation			
Size	PVC Body PVDF Disc Lug Style	FKM Seat/Seals	
		316 SS Lugs Part Number	List Price
1-1/2"	T-57 Lever	3859015	782.00
2"	T-57 Lever	3859020	737.00
2-1/2"	T-57 Lever	3859025	908.00
3"	T-57 IL Lever	113859030	831.00
4"	T-57 IL Lever	113859040	1253.00
6"	T-57 IL Lever	113859060	1886.00
8"	T-57 IL Lever	113859080	2707.00
Discount Code			C

Type-57 IL Isolator Lug Butterfly Valves - Gear

PVC/PP

NEW!



Type-57 IL Gear

Type-57 Butterfly Valves Lug Style - Gear Operation			
Size	PVC Body PP Disc Lug Style	EPDM Seat/Seals	
		316 SS Lugs	List Price
		Part Number	
1-1/2"	T-57 Plasgear	3773015	1110.00
2"	T-57 Plasgear	3773020	1118.00
2-1/2"	T-57 Plasgear	3773025	1151.00
3"	T-57 IL Plasgear	113773030	1143.00
4"	T-57 IL Plasgear	113773040	1634.00
6"	T-57 IL Plasgear	113773060	1997.00
8"	T-57 IL Plasgear	113773080	2308.00
Discount Code			B
10"	T-57 IL Plasgear	113773100	2934.00
12"	T-57 IL Plasgear	113773120	3715.00
14"	T-57 Plasgear	3773140	8593.00
Discount Code			C

Type-57 Butterfly Valves Lug Style - Gear Operation			
Size	PVC Body PP Disc Lug Style	Nitrile Seat/Seals	
		316 SS Lugs	List Price
		Part Number	
1-1/2"	T-57 Plasgear	3825015	1110.00
2"	T-57 Plasgear	3825020	1118.00
2-1/2"	T-57 Plasgear	3825025	1151.00
3"	T-57 IL Plasgear	113825030	1143.00
4"	T-57 IL Plasgear	113825040	1634.00
6"	T-57 IL Plasgear	113825060	1997.00
8"	T-57 IL Plasgear	113825080	2308.00
Discount Code			B
10"	T-57 IL Plasgear	113825100	2934.00
12"	T-57 IL Plasgear	113825120	3715.00
14"	T-57 Plasgear	3825140	8593.00
Discount Code			C

Type-57 Butterfly Valves Lug Style - Gear Operation			
Size	PVC Body PP Disc Lug Style	FKM Seat/Seals	
		316 SS Lugs	List Price
		Part Number	
1-1/2"	T-57 Plasgear	3777015	1011.00
2"	T-57 Plasgear	3777020	966.00
2-1/2"	T-57 Plasgear	3777025	1121.00
3"	T-57 IL Plasgear	113777030	1025.00
4"	T-57 IL Plasgear	113777040	1431.00
6"	T-57 IL Plasgear	113777060	1880.00
8"	T-57 IL Plasgear	113777080	2519.00
10"	T-57 IL Plasgear	113777100	4646.00
12"	T-57 IL Plasgear	113777120	6035.00
14"	T-57 Plasgear	3777140	16838.00
Discount Code			C

Butterfly Valves

NEW!



Type-57 IL
Gear

Type-57 Butterfly Valves Lug Style - Gear Operation			
Size	PVC Body PVC Disc Lug Style	EPDM Seat/Seals	
		316 SS Lugs	List Price
		Part Number	
1-1/2"	T-57 Plasgear	3781015	1136.00
2"	T-57 Plasgear	3781020	1156.00
2-1/2"	T-57 Plasgear	3781025	1190.00
3"	T-57 IL Plasgear	113781030	1191.00
4"	T-57 IL Plasgear	113781040	1690.00
6"	T-57 IL Plasgear	113781060	2085.00
8"	T-57 IL Plasgear	113781080	2416.00
Discount Code			B
10"	T-57 IL Plasgear	113781100	3072.00
12"	T-57 IL Plasgear	113781120	3879.00
14"	T-57 Plasgear	3781140	9111.00
Discount Code			C

Type-57 Butterfly Valves Lug Style - Gear Operation			
Size	PVC Body PVC Disc Lug Style	Nitril Seat/Seals	
		316 SS Lugs	List Price
		Part Number	
1-1/2"	T-57 Plasgear	3829015	1136.00
2"	T-57 Plasgear	3829020	1156.00
2-1/2"	T-57 Plasgear	3829025	1190.00
3"	T-57 IL Plasgear	113829030	1191.00
4"	T-57 IL Plasgear	113829040	1690.00
6"	T-57 IL Plasgear	113829060	2085.00
8"	T-57 IL Plasgear	113829080	2416.00
Discount Code			B
10"	T-57 IL Plasgear	113829100	3072.00
12"	T-57 IL Plasgear	113829120	3879.00
14"	T-57 Plasgear	3829140	9111.00
Discount Code			C

Type-57 Butterfly Valves Lug Style - Gear Operation			
Size	PVC Body PVC Disc Lug Style	FKM Seat/Seals	
		316 SS Lugs	List Price
		Part Number	
1-1/2"	T-57 Plasgear	3785015	1038.00
2"	T-57 Plasgear	3785020	1002.00
2-1/2"	T-57 Plasgear	3785025	1160.00
3"	T-57 IL Plasgear	113785030	1073.00
4"	T-57 IL Plasgear	113785040	1484.00
6"	T-57 IL Plasgear	113785060	1969.00
8"	T-57 IL Plasgear	113785080	2629.00
10"	T-57 IL Plasgear	113785100	4785.00
12"	T-57 IL Plasgear	113785120	6196.00
14"	T-57 Plasgear	3785140	17354.00
Discount Code			C

Butterfly Valves

Type-57 IL Isolator Lug Butterfly Valves - Gear

PVC/PVDF

NEW!



Type-57 IL Gear

Type-57 Butterfly Valves Lug Style - Gear Operation			
Size	PVC Body PVDF Disc Lug Style	EPDM Seat/Seals	
		316 SS Lugs	List Price
		Part Number	
1-1/2"	T-57 Plasgear	3817015	874.00
2"	T-57 Plasgear	3817020	881.00
2-1/2"	T-57 Plasgear	3817025	921.00
3"	T-57 IL Plasgear	113817030	934.00
4"	T-57 IL Plasgear	113817040	1300.00
6"	T-57 IL Plasgear	113817060	1742.00
8"	T-57 IL Plasgear	113817080	2154.00
Discount Code			B
10"	T-57 IL Plasgear	113817100	3825.00
12"	T-57 IL Plasgear	113817120	4942.00
14"	T-57 Plasgear	3817140	9948.00
Discount Code			C

Type-57 Butterfly Valves Lug Style - Gear Operation			
Size	PVC Body PVDF Disc Lug Style	FKM Seat/Seals	
		316 SS Lugs	List Price
		Part Number	
1-1/2"	T-57 Plasgear	3819015	1092.00
2"	T-57 Plasgear	3819020	1048.00
2-1/2"	T-57 Plasgear	3819025	1220.00
3"	T-57 IL Plasgear	113819030	1143.00
4"	T-57 IL Plasgear	113819040	1563.00
6"	T-57 IL Plasgear	113819060	2197.00
8"	T-57 IL Plasgear	113819080	3024.00
10"	T-57 IL Plasgear	113819100	5538.00
12"	T-57 IL Plasgear	113819120	7262.00
14"	T-57 Plasgear	3819140	18193.00
Discount Code			C

Butterfly Valves



**35 Green St., Malden, MA 02148
Tel: 800-343-3618; 781-321-5409**

**Direct Sales: East (800)-232-7244
Central (800) 442-7244
West (800) 282-7244**

**Fax: 800-426-7058
www.asahi-america.com
asahi@asahi-america.com**



Type 57IL Isolator Lug Butterfly Valves

Standard Features (Sizes 3" – 12")

- Standard model (3" – 12") has PVC Body and PP Disc for superior chemical resistance and elevated temperature capabilities
- Our 316 stainless steel stem has full engagement over the entire length of the disc and is a non-wetted part, totally isolated from the media
- Only solid and abrasion-resistant plastic disc and elastomeric liner are wetted parts
- ISO bolt circle on top flange- no body or stem modifications required for accessories
- Stem retainer-PP retainer to prevent stem removal
- Seat over tightening protection-molded body stops and seat stress relief area
- Spherical disc design offers increased Cv, ultimate sealing and high cycle life
- 316SS Factory Lugs
- Plasgear™ gear operators for 3"- 12" standard

Options

- Pneumatically and electrically actuated with accessories
- Alternate discs:
 - (I) PVC : 3" – 12"
 - (II) PVDF : 3" – 12"
- Stems in 316 stainless steel, titanium, Hastelloy C®
- 2" square nut on stem (3" - 8" only)
- 2" square nut on gear operator (All sizes)
- Stem extensions (single stem and two-piece stem)
- Locking devices (Gear Type – Standard on Lever)
- Chain operators
- Manual limit switch - Asahi P-Series
- Tandem arrangements (Patented by A/A, Inc.)

Specifications

Sizes: Lever: 3" – 8"

Gear: 8" – 12"

Models: Lug Style

Operators: Lever and Gear

Body: PVC

Discs: PVC, PP, and PVDF

Seats: EPDM, FKM and Nitrile

Seals: Same as seating material

Stems: 316 stainless steel,
Titanium, Hastelloy C®‡

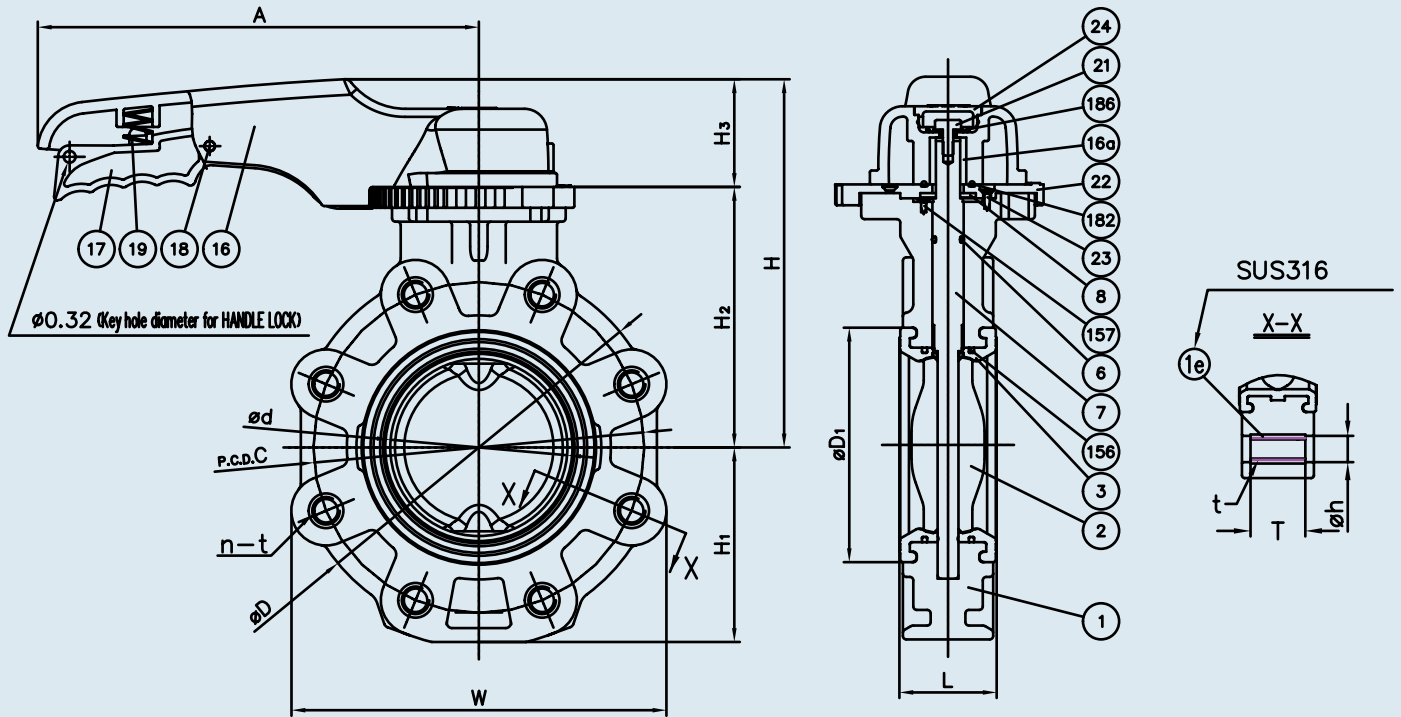
‡ Trademark of Cabot Corporation

Parts List (Lever: Sizes 3" – 8")

PARTS			
NO.	DESCRIPTION	PCS.	MATERIAL
1	Body	1	PVC
1e	Lug	-	Stainless Steel 316
2	Disc	1	PVC, PP, PVDF
3	Seat	1	EPDM, FKM, NBR
6	O-Ring (C)	1	EPDM, FKM, NBR
7	Stem	1	Stainless Steel 316
8	Stem Retainer	1	PP
16	Handle	1	PP
16a	Metal Insert in Handle	1	Stainless Steel 316L
17	Handle Lever	1	PPG
18	Pin	1	PPG
19	Spring	1	Stainless Steel 304
20	Washer (A)	1	Stainless Steel 304
21	Bolt (B)	1	Stainless Steel 304
22	Locking Plate	1	PPG
23	Screw (B)	4	Stainless Steel 304
24	Cap (A)	1	PP
156	Stabilization Ring	2	Stainless Steel (SCS13)
157	Screw (F)	4	Stainless Steel 304



Type 57IL Isolator Lug Lever Butterfly Valve



Dimensions (Lever: Sizes 3" - 8")

NOMINAL SIZE		ANSI CLASS 150					D	D1	L	H	H1	H2	H3	A	W	T	t
INCHES	mm	d	C	n	h												
3	80	3.03	6.00	4	0.75	7.28	4.13	1.81	7.52	3.82	5.31	2.20	9.84	7.09	1.26	5/8-11UNC	
4	100	4.02	7.50	8	0.75	8.27	5.28	2.20	8.11	4.41	5.91	2.20	9.84	8.50	1.52	5/8-11UNC	
6	150	5.91	9.50	8	0.87	10.63	7.48	2.80	9.92	5.55	7.20	2.72	12.60	10.67	1.97	3/4-10UNC	
8	200	7.68	11.75	8	0.87	12.60	9.53	3.43	11.14	6.61	8.43	2.72	15.75	12.76	2.26	3/4-10UNC	

Press vs. Temp

BODY		PVC			
DISC		PP			
NOMINAL SIZE		30° F	121° F	141° F	175° F
INCHES	mm	120° F	140° F	175° F	
3	80	150	70	30	
4	100	150	45	30	
6	150	150	45	30	
8	200	150	40	20	

Vacuum

NOMINAL SIZE		VACUUM SERVICE (INCHES OF MERCURY)
INCHES	mm	
3	80	-29.92
4	100	-29.92
6	150	-29.92
8	200	-29.92
10	250	-29.92
12	300	-24.37

Cv Values

NOMINAL SIZE		Cv (at various opening degrees)		
INCHES	mm	30°	60°	90°
3	80	18	183	300
4	100	28	287	470
6	150	66	671	1100
8	200	150	1525	2500
10	250	232	2355	3860
12	300	342	3477	5700

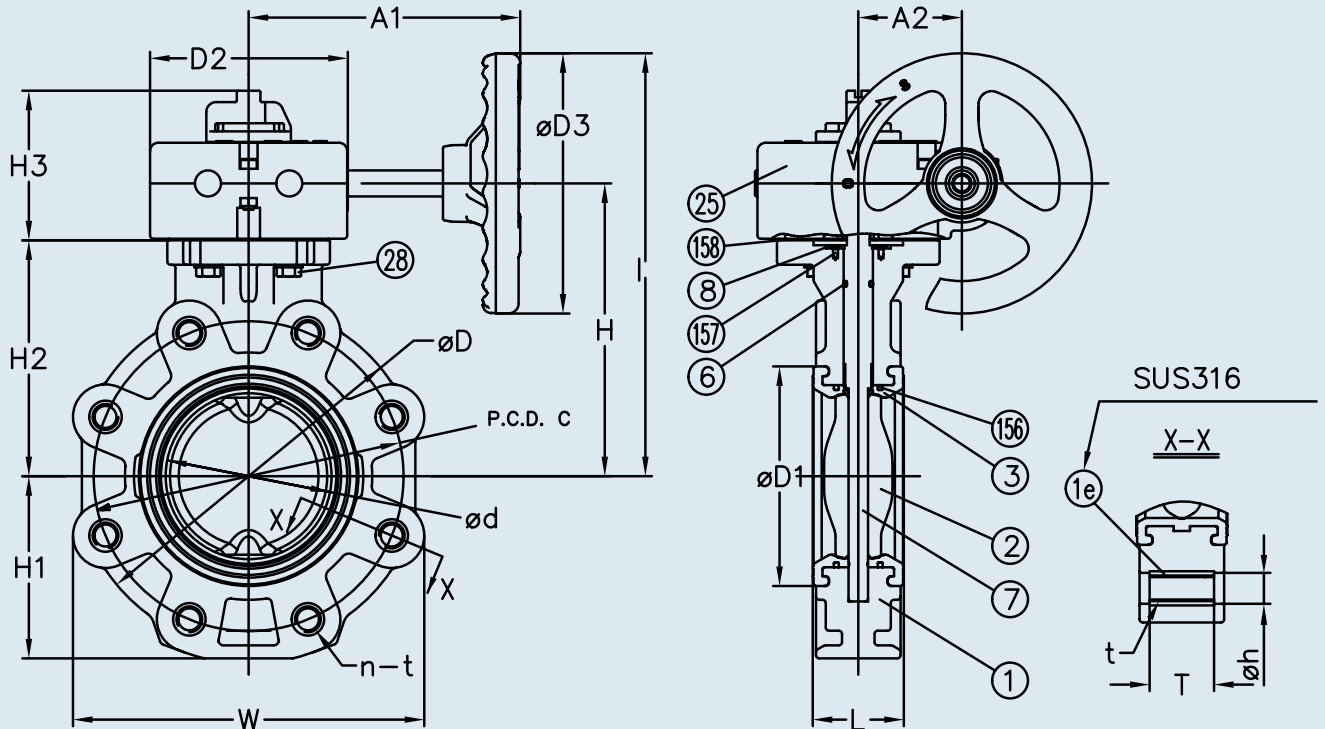
Wt (LBS)

NOMINAL SIZE		LEVER OPERATED	GEAR OPERATED
INCHES	mm		
3	80	5	10
4	100	7	12
6	150	15	20
8	200	25	30
10	250	n/a	41
12	300	n/a	76

Caution

- Never remove valve from pipeline under pressure.
- Always wear protective gloves and goggles.

Type 57IL Isolator Lug Gear Butterfly Valve



Dimensions (Gear: Sizes 3" - 12")

NOMINAL SIZE	ANSI CLASS 150																				Wheel Cycles	Gear box model no.
	INCHES	mm	d	C	n	h	D	D1	D2	D3	L	H	H1	H2	H3	l	A1	A2	W	T		
3	80	3.03	6.00	4	0.75	7.28	4.13	4.80	6.30	1.81	6.50	3.82	5.12	3.62	9.65	6.57	2.52	7.09	1.37	5/8-11UNC	9.5	241
4	100	4.02	7.50	8	0.75	8.27	5.28	4.80	6.30	2.20	7.09	4.41	5.71	3.62	10.24	6.57	2.52	8.50	1.37	5/8-11UNC	9.5	
6	150	5.91	9.50	8	0.87	10.63	7.48	4.80	6.30	2.80	8.27	5.55	6.89	3.62	11.42	6.57	2.52	10.67	2.15	3/4-10UNC	9.5	
8	200	7.68	11.75	8	0.87	12.60	9.53	4.80	6.30	3.43	9.49	6.61	8.11	3.62	12.64	6.57	2.52	12.76	2.15	3/4-10UNC	9.5	
10	250	9.84	14.25	12	0.98	15.75	11.89	4.80	6.30	4.41	10.87	7.95	9.49	3.62	14.01	6.57	2.52	15.91	3.14	7/8-9UNC	9.5	
12	300	11.93	17.01	12	0.98	18.31	14.17	7.40	11.81	5.08	13.39	9.29	11.73	4.25	19.29	9.53	3.90	18.54	3.14	7/8-9UNC	9.5	243

Parts List (Gear)

PARTS			
NO.	DESCRIPTION	PCS.	MATERIAL
1	Body	1	PVC
1e	Lug	-	Stainless Steel 316
2	Disc	1	PVC, PP, PVDF
3	Seat	1	EPDM, FKM, NBR
6	O-Ring (C)	1	EPDM, FKM, NBR
7	Stem	1	Stainless Steel 316
8	Stem Retainer	1	PP
25	Gear Box	1	Plasgear™
28	Bolt (C)	4	Stainless Steel 304
156	Stabilization Ring	2	Stainless Steel (SCS13)
157	Screw (F)	4	Stainless Steel 304
158	Gasket (L)	1	EPDM

Press vs. Temp

BODY		PVC		
DISC		PP		
NOMINAL SIZE		30° F	121° F	141° F
		120° F	140° F	175° F
INCHES	mm			
8	200	150	40	20
10	250	150	40	20
12	300	100	30	15

Type 57IL Isolator Lug Butterfly Valve

Troubleshooting

What if fluid still flows when valve is closed?

1. Make sure lever or gear is in a fully closed position (gear type may require travel stop adjustment).
2. Liner is damaged or worn. Replace liner.
3. Disc is damaged or abraded. Change disc.
4. Foreign material is caught between seat and disc. Remove the substance.
5. Mating flange bolts either over-tightened or unevenly tightened. Retighten properly.

What if fluid leaks outside between seat and mating flange?

1. Seat damage. Change seat.
2. Mating flange bolts not tightened with proper torque or unevenly tightened. Retighten to the appropriate torque.

What if valve does not operate smoothly?

1. Foreign material is caught between disc and seat. Remove the material and clean.
2. Lever or gearbox is damaged. Replace.
3. Mating flange bolts over-tightened. Retighten.

Sample Specification

All solid thermoplastic butterfly valves sizes 3" thru 12" shall be of the TYPE 57IL Isolator Lug PVC lined body design and bubble-tight seal (meeting or exceeding Class VI as defined by American National Standard Institute) with only the liner and disc as wetted parts. The lever handle (sizes 3" thru 8") shall have a molded provision for a padlock. Gear operators shall be worm gear design, self locking Plasgear™

The spherical disc design for higher Cv values shall be of solid abrasion-resistant plastic. Liner shall be molded and formed around the body, functioning as gasket seals with convex ring design on each side of the valve for lower bolt tightening torque and valve body shall have molded body stops and seat relief area to prevent overtightening of mating flanges. Valves shall be molded to accept 316 SS A/A factory molded lugs. Valve shall be capable of having flange removed, while maintaining full line pressure on upstream side for end of line service. Stem shall be of 316 stainless steel, non wetted and have engagement over the full length of the disc. Valves shall have a molded ISO bolt pattern on top flange for actuator mount. PVC shall conform to ASTM D1784 Cell Classification 12454-A, PP conforming to ASTM D4101 Cell Classification PPO210B67272, and All (3" thru 10"), valves shall be rated to 150 psi and 12" rated to 100 psi, Butterfly valves shall be lug style, as manufactured by Asahi/America.