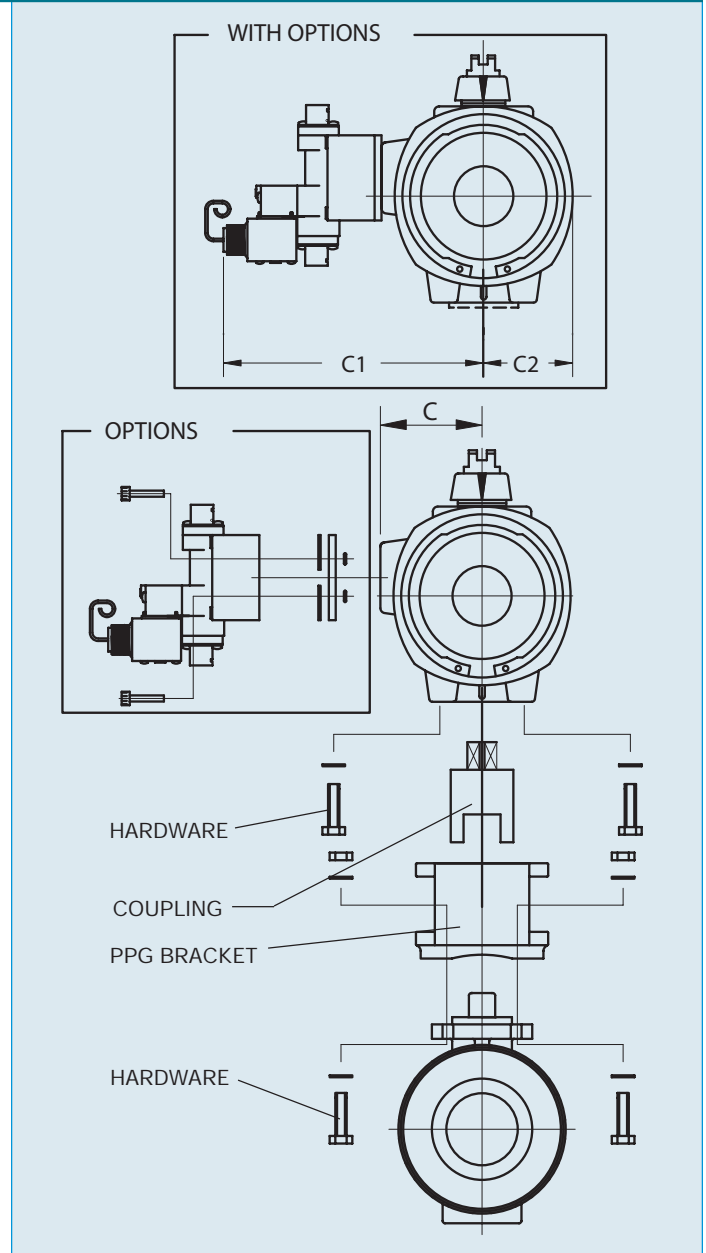
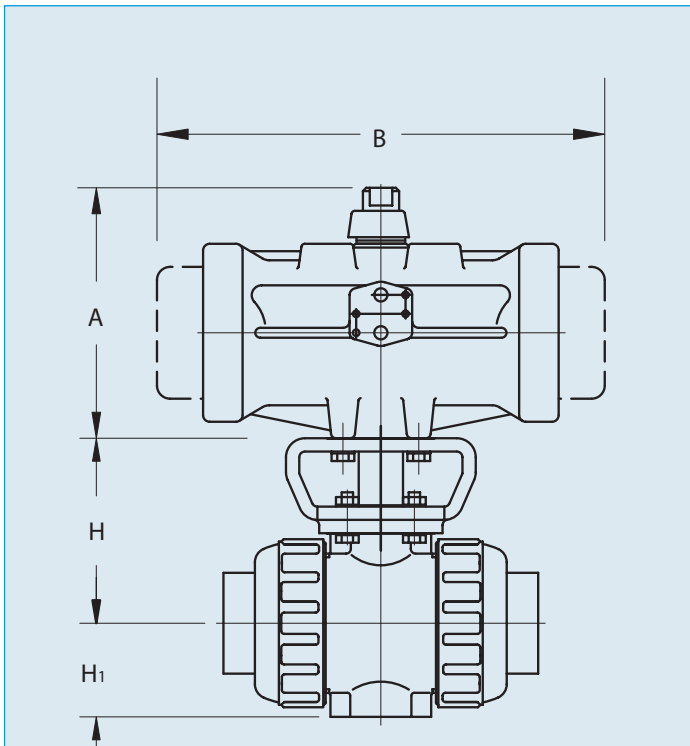


# Pneumatically Actuated Ball Valves



**Type 79P on Type 21 Ball Valve**



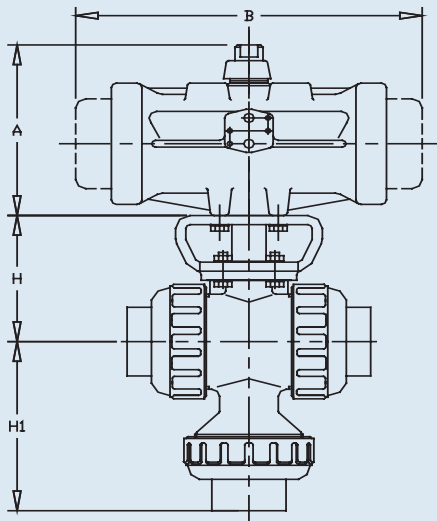
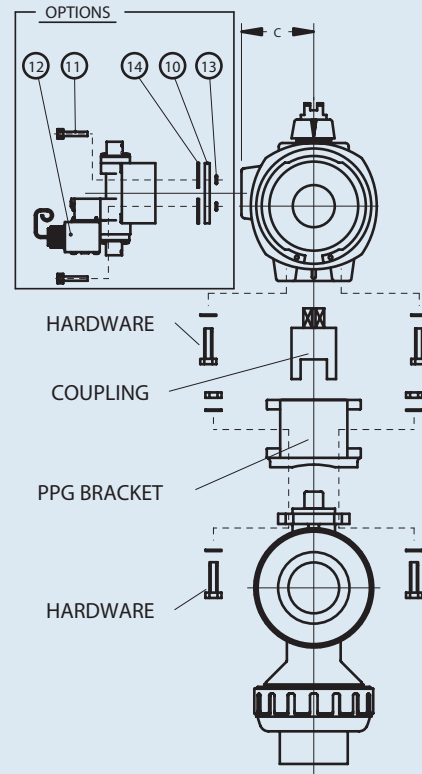
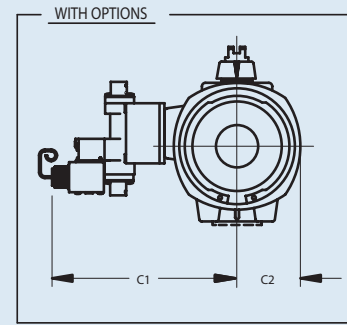
## Dimensions (Sizes 1/2" – 4")

NOMINAL SIZE		Model No. Air-Air	Model No. Air-Spring	H	H1	A		B		C		C1		C2	
						A-A	A-S	A-A	A-S	A-A	A-S	A-A	A-S	A-A	A-S
1/2	15	AP79PN	AP79PSN	2.76	1.14	3.34	3.34	4.22	5.55	1.47	1.47	5.41	5.41	1.21	1.21
3/4	20	AP79PN	AP79PSN	3.01	1.38	3.34	3.34	4.22	5.55	1.47	1.47	5.41	5.41	1.21	1.21
1	25	AP79PN	AP79PSN	3.29	1.54	3.34	3.34	4.22	5.55	1.47	1.47	5.41	5.41	1.21	1.21
1 1/4	32	AP79PN	AP79PSN	3.64	1.85	3.34	3.34	4.22	5.55	1.47	1.47	5.41	5.41	1.21	1.21
1 1/2	40	AP79PN	BP79PSN	3.98	2.17	3.34	4.40	4.22	5.86	1.47	1.73	5.41	5.41	1.21	1.41
2	50	AP79PN	CP79PSN	4.43	2.60	3.34	5.00	4.22	7.64	1.47	1.97	5.41	5.41	1.21	1.85
2 1/2	65	CP79PN	CP79PSN	5.12	2.83	5.00	5.00	7.00	8.74	1.97	1.97	5.89	5.89	1.85	1.85
3	80	CP79PN	DP79PSN	5.47	3.35	5.00	6.49	7.00	11.49	1.97	2.56	5.89	5.89	1.85	2.36
4	100	DP79PN	DP79PSN	6.97	4.33	6.49	6.49	9.21	11.49	2.56	2.56	6.48	6.48	2.36	2.36

# Pneumatically Actuated Type 23



**Series 79P on Multiport Valve**



## Dimensions (Sizes 1/2" - 4")

NOMINAL SIZE		Model No. Air-Air	Model No. Air-Spring	H	H1	A		B		C		C1		C2	
						A-A	A-S	A-A	A-S	A-A	A-S	A-A	A-S	A-A	A-S
INCHES	mm														
1/2	15	AP79PN	AP79PSN	2.76	3.08	3.34	3.34	4.22	5.55	1.47	1.47	5.41	5.41	1.21	1.21
3/4	20	AP79PN	AP79PSN	3.01	3.56	3.34	3.34	4.22	5.55	1.47	1.47	5.41	5.41	1.21	1.21
1	25	AP79PN	AP79PSN	3.29	4.32	3.34	3.34	4.22	5.55	1.47	1.47	5.41	5.41	1.21	1.21
1 1/2	40	AP79PN	BP79PSN	3.98	5.71	3.34	4.40	4.22	5.86	1.47	1.73	5.41	5.66	1.21	1.41
2	50	AP79PN	CP79PSN	4.43	6.66	3.34	5.00	4.22	7.64	1.47	1.97	5.41	5.89	1.21	1.85
3	80	CP79PN	DP79PSN	5.47	9.59	5.00	6.49	7.00	11.49	1.97	2.56	5.89	6.48	1.85	2.36
4	100	DP79PN	DP79PSN	6.97	11.58	6.49	6.49	9.21	11.49	2.56	2.56	6.48	6.48	2.36	2.36

Double-L port ball configuration supplied as a standard for 90 degree rotation