

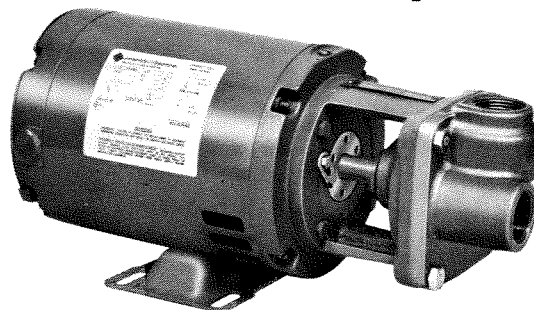
420 EAST THIRD ST. PIQUA, OH. 45356
 PHONE (513) 773-2442 TELEX 288081
 FAX: (513) 773-2238

SERIES CT

Form No.
668

Rev. 2/84

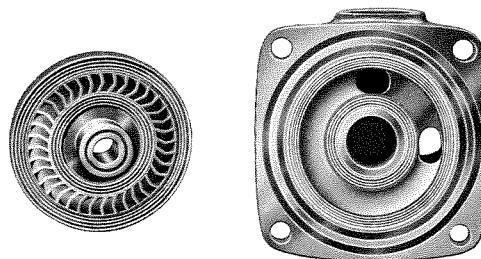
Close Coupled Turbine Pumps



BURKS close coupled turbine pumps, Series CT, 3450 R.P.M. and 4CT, 1725 R.P.M., are available for capacities up to 8 g.p.m.—pressures up to 150 p.s.i. and for temperatures up to 225°F., with standard mechanical shaft seal. Special shaft seals are available for higher temperatures and fluids other than water.

These compact turbine pumps are designed for pumping clear water and many other non-abrasive, lower viscosity liquids. They are especially engineered for boiler feed on steam process applications and will serve up to a 38 hp. boiler at a 3 to 1 safety factor. Available in bronze fitted as standard. All bronze or stainless steel construction also available. These pumps are recommended for many applications requiring higher pressures and lower capacities.

BURKS is the only turbine pump with Life-Lok® External Impeller Adjustment feature that allows readjustment of impeller without disturbing piping, disassembling pump or replacing parts. Gives up to 40% longer service life than turbine pumps of other designs.



PERFORMANCE & SELECTION CHART

Catalog Number		H.P.	Tappings		PSI Feet	TOTAL HEAD														
1-Phase	3-Phase		Suct.	Disch.		8.6 20	17.2 40	26 60	43.3 100	54.1 125	64.9 150	75.8 175	86.6 200	97.4 225	108.3 250	119.1 275	130 300	140.1 325	151.6 350	
CAPACITY IN G.P.M.																				
1725 RPM																				
24CT6M	—	1/4	1	1		2.4	2.2	1.9	1.6	1.4	1.2	1.0	.8	.6	.5	.4	.3			
24CT7M	—	1/4	1	1		3.4	3.1	2.8	2.3	2.1	1.8	1.6	1.4	1.2	1.0	.8	.7			
3450 RPM																				
3CT5M	33CT5M	1/3	1	1		4.2	4.0	3.8	3.4	3.2	3.0	2.9	2.8	2.7	2.6					
5CT5M	35CT5M	1/2	1	1		4.2	4.0	3.8	3.4	3.2	3.0	2.9	2.8	2.7	2.6	2.6	2.5	2.4	2.4	
3CT6M	33CT6M	1/3	1	1		6.0	5.7	5.3	4.8	4.6	4.4	4.3	4.2							
5CT6M	35CT6M	1/2	1	1		6.0	5.7	5.3	4.8	4.6	4.4	4.3	4.2	4.0	3.9	3.8	3.7			
7CT6M	37CT6M	3/4	1	1		6.0	5.7	5.3	4.8	4.6	4.4	4.3	4.2	4.0	3.9	3.8	3.7	3.7	3.6	
5CT7M	35CT7M	1/2	1	1		8.3	7.8	7.4	6.8	6.5	6.2	6.0	5.8	5.5						
7CT7M	37CT7M	3/4	1	1		8.3	7.8	7.4	6.8	6.5	6.2	6.0	5.8	5.5	5.5	5.3	5.2	5.1	5.0	

NOTE: When pumping hot water over 180°F., check the NPSH available in the pumping system against the required pump NPSH shown on pump performance curves. Available NPSH must be greater than required NPSH.

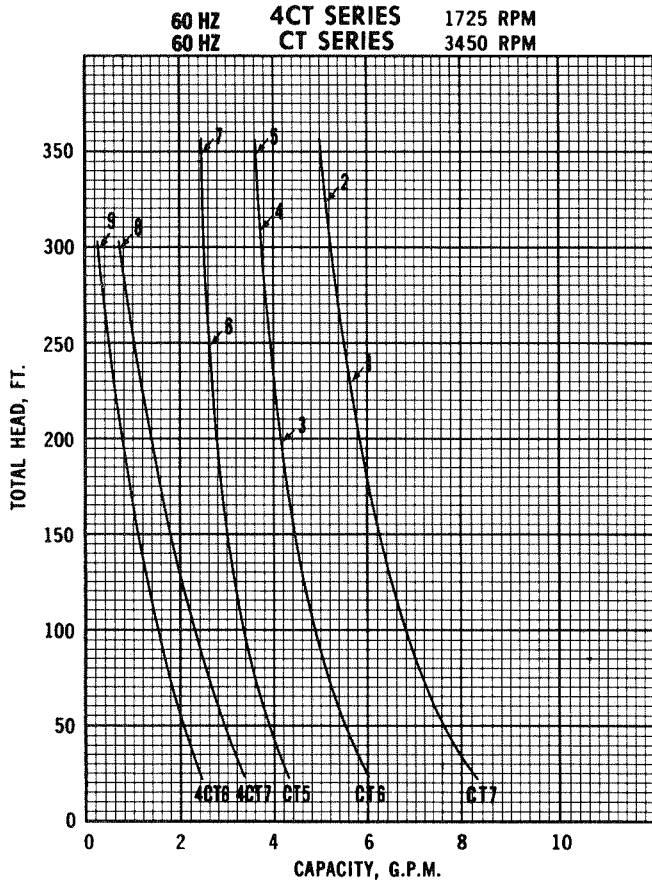
TEMPERATURES TO 500°F

Series CT pumps are available in a patented Jacketed Seal Cavity design for pumping hot oil, hot water and heat transfer fluids in common use in high temperature heating or cooling applications. Add suffix "J" to Catalog Number. Example: 5CT6MJ.

Standard pump motors have open drip proof construction and are rated with jet pump service factors for continuous duty operation at all ratings shown. Single phase motors are 115/230 volt, 60 Hz, capacitor start/induction run with built-in overload protection. Three phase motors require a magnetic type starter which provides full 3-leg overload protection. Failure to use the correct starter and overloads will void the warranty. All three phase motors are 208-230/460 volt, 60/50 Hz, 3450/2850 RPM.

Single phase motors, 1/3, 1/2 & 3/4 hp. are U.L. approved.

PERFORMANCE & SPECIFICATIONS



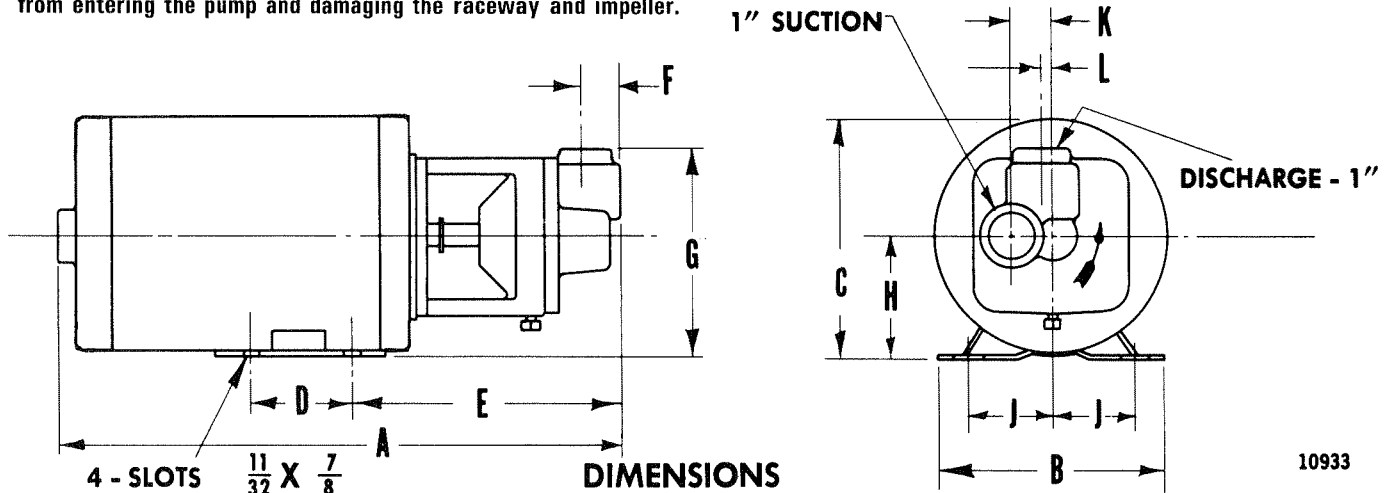
* MAXIMUM HEAD			
Symbol No.	H.P.	Catalog Number	
		1-Phase	3-Phase
1	1/2	5CT7M	35CT7M
2	3/4	7CT7M	37CT7M
3	1/3	3CT6M	33CT6M
4	1/2	5CT6M	35CT6M
5	3/4	7CT6M	37CT6M
6	1/3	3CT5M	33CT5M
7	1/2	5CT5M	35CT5M
8	1/4	24CT7M	
9	1/4	24CT6M	

*For Standard Pumps with ODP Motors
MAXIMUM INLET PRESSURE—100 PSI
MAXIMUM WORKING PRESSURE—250 PSI

MATERIALS OF CONSTRUCTION

Part	Bronze Fitted	All Bronze	Stainless Steel
Frame	Cast Iron	Bronze	#316 Stainless Steel
Impeller	Bronze (Monel Blades)	Bronze (Monel Blades)	#303 Stainless Steel
Raceway	Bronze	Bronze	#303 Stainless Steel
Shaft	#316 Stainless Steel	#316 Stainless Steel	#316 Stainless Steel
Shaft Seal	Carbon-Ceramic-S.S.-Buna N	Carbon-Ceramic-S.S.-Buna N	Carbon-Ceramic-S.S.-Buna N

A strainer, approximately 20 mesh, should be installed on the suction side of the pump to prevent chips, scale or hard foreign particles from entering the pump and damaging the raceway and impeller.



SERIES	HP	TAPPING		1 PH. A	3 PH. A	B	C	D	E	F	G	H	J	K	L
		SUCT.	DISCH.												
4CT	1/4	1	1	16 1/4	A	6 1/2	6 5/8	3	7 7/8	1	5 7/8	3 1/2	2 7/16	1 5/32	3/16
CT	1/3	1	1	16 1/4	16 1/4	6 1/2	6 5/8	3	7 7/8	1	5 7/8	3 1/2	2 7/16	1 5/32	3/16
	1/2	1	1	16 1/4	16 1/4	6 1/2	6 5/8	3	7 7/8	1	5 7/8	3 1/2	2 7/16	1 5/32	3/16
	3/4	1	1	16 1/4	16 1/4	6 1/2	6 5/8	3	7 7/8	1	5 7/8	3 1/2	2 7/16	1 5/32	3/16

Dimensions shown above are approximate maximum dimensions for standard pumps equipped with open drip-proof motors.

DIMENSIONS NOT TO BE USED FOR INSTALLATION OR CONSTRUCTION UNLESS CERTIFIED