



The Moniteur Sentinel VPT is available with an electronic cycle counter that automatically detects when the switches are tripped under power. It has been designed for applications requiring precise monitoring of valve cycle life.

- * **Transparent** - no special control system or programming is required
- * **Tamperproof** - counter cannot be reset in the field
- * **Compact** - counter module fits into the enclosure with two additional limit switches
- * **Battery operated** - does not require separate power or wiring
- * **Protected** - counter display is hidden in the enclosure and shielded from the environment
- * **Full range of Moniteur visual indicators and switches available**

Operation

- * An electronic counter is soldered to the NO contact wires of switch #2 at the terminal block. As the switch trips and voltage is detected through the circuit, the counter advances. No special control system or programming is required.
- * Voltage Detected - 20 to 250 V AC or DC
- * Battery Life - 10 years

Applications

- * Ideal for in-house or field testing of prototype valves - counter function is transparent, and the unit operates identically to standard limit switches.
- * Stealth monitoring of problem valves or applications



Moniteur

Digital Cycle Counter

Intelligent Part Number System

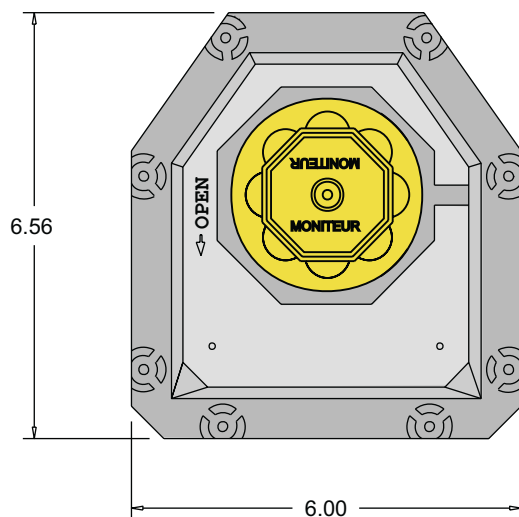
A	M	Y	B	-	1	1	2	0	-	C	T	R
Series	Cover	Moniteur	Bearing		Shaft	Switch	Quantity	Conduit		Counter		

Base unit includes:	Counter Module	(2) 15 A Mechanical SPDT Switches
	Black / Yellow indicator	Bronze bearings and Standard shaft (.249" flats)
	Aluminum Enclosure	(2) 3/4" NPT conduit entries

Description	Code	Description	Code	Description	Code
Series: Sentinel	A	Bearing		Rhodium TTL 1A	
		Bronze	B	SPDT Non-	T
Cover		303 SS	S	ContactBifurcated TTL	
With Moniteur	M			Non-Contact	B
Flat Cover	F	Shaft		Switch Quantity	2
Moniteur		Standard 303 SS	1	Conduit	
No Indicator	N	Standard 316 SS	3	(2) F 3/4" NPT	0
Black / Yellow	Y	NAMUR 303 SS	5	(3) F 3/4" NPT	5
3-Way Path O,T, F	O,T, F	NAMUR 316 SS	7	(2) F 3/4" + (1) F 1/2" NPT	6
4-Way Path	S	Long NAMUR 303 SS	E	(1) M 3/4" + (1) F 1/2" NPT	8
180 degree T port	1	Switch Type (2 switches)		Options	
120 degree	3	Cherry 15A		Counter Module	- CTR
Green / Red	A	SPDT Mechanical	1		
Red / Green	C	Tungsten TTL 3A			
0-100%	P	SPDT Non-Contact	2		

Dimensions

Top View



Side View

