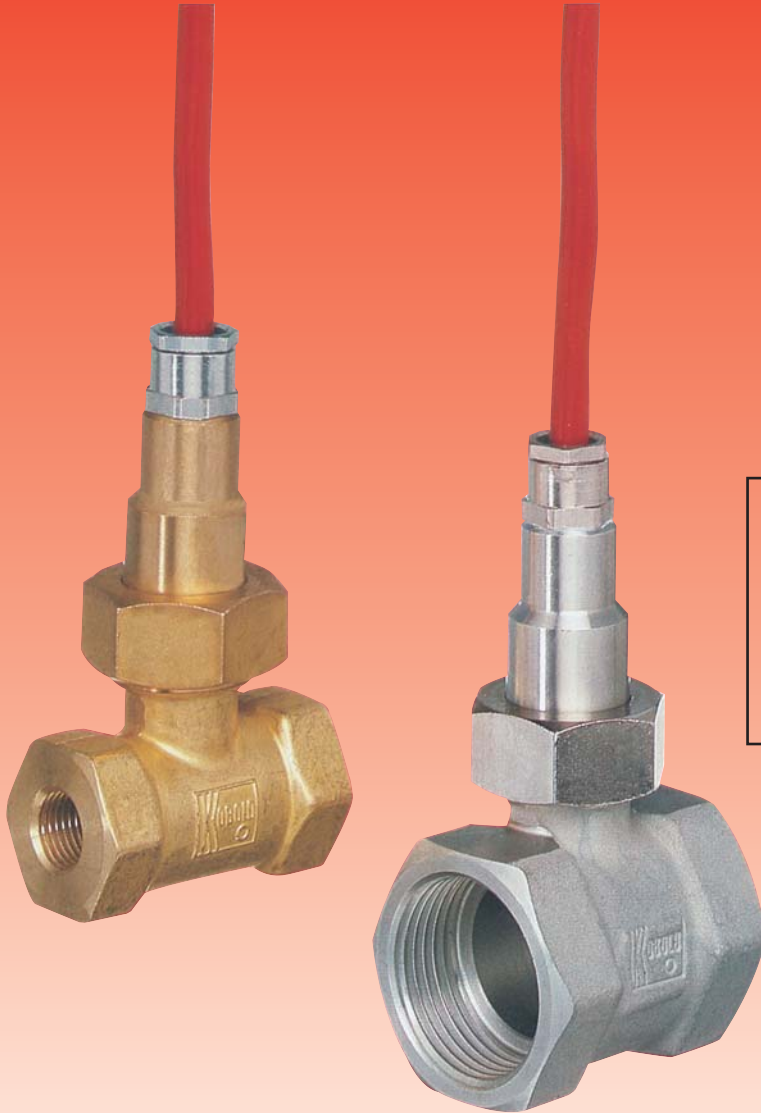


TRS
THERMAL REED TEMPERATURE SWITCH



Flow
Pressure
Level
Temperature
measurement
monitoring
control

T1



- Switchpoints From 50 to 248 F
- For Pipe Sizes 1/4" to 1"
- Brass or SS Wetted Parts
- Simple Installation
- Highly Repeatable Setpoint



USA

KOBOLD Instruments Inc.
1801 Parkway View Drive
USA-Pittsburgh, PA 15205
☎ +1 412-788-2830
Fax +1 412-788-4890
E-mail: info@koboldusa.com



CANADA

KOBOLD Instruments Canada Inc.
9A Aviation
Pointe-Claire, QC H9R 4Z2
☎ +1 514-428-8090
Fax +1 514-428-8899
E-mail: kobold@kobold.ca

Visit KOBOLD Online at
www.koboldusa.com

Model:
TRS

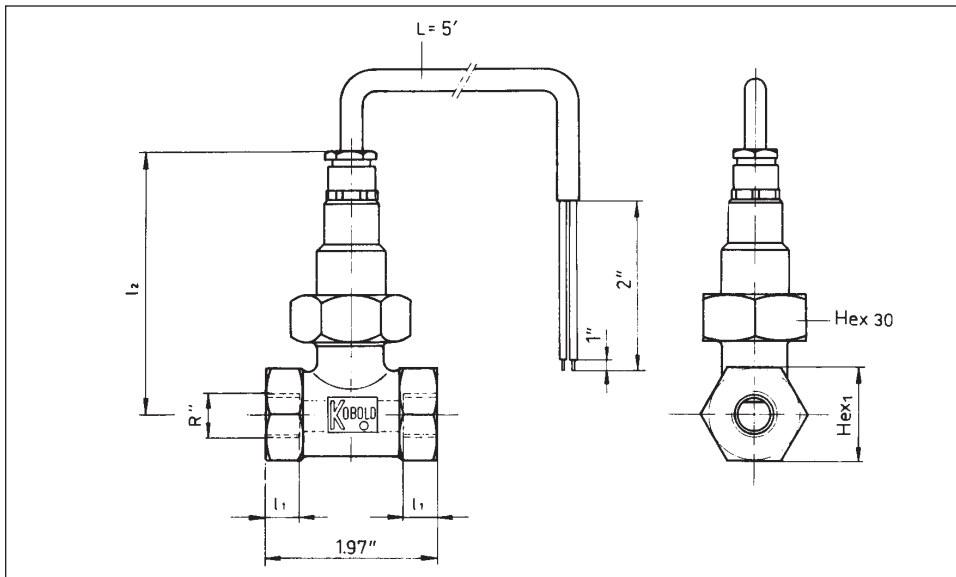
Features

- Switchpoints From 50 to 248 F
- For Pipe Sizes 1/4" to 1"
- Brass or Stainless Steel Wetted Parts
- Simple Installation
- Highly Repeatable Setpoint

Thermal reed switches are used for temperature monitoring and control. They are characterised by their long service life and operational reliability.

A particular advantage is their excellent repeatability, as thermal reed switches are practically insensitive to the service environment. In contrast to bi-metal thermostats, for example, the switch-point is not affected by load current.

The TRS thermal reed switches are supplied in a robust housing made of brass or stainless steel with 1/4" to 1" internal thread on both sides with a 5' silicone sheathed cable. They are thus also suitable for service in rough conditions. The temperature contacts have a fixed switch-point in intervals of 5°C over the range of 10°C to 50°C and in intervals of 10°C over the ranges 50°C to 120°C and are designed as N/C contacts.



Specifications

- Wetted Materials:** Brass or 304 SS, Viton
- Cable:** 5 Ft. Silicone cable
- Process Temp. Range:** 50 to 248°F
- Maximum Pressure**
- Brass:** 230 PSIG
 - Stainless Steel:** 360 PSIG
- Setpoint Accuracy:** ±5°F
- Setpoint Hysteresis:** 7-14°F
- Contact Rating:** N/C SPST 10W 12VA
Max. 120VAC/
100 VDC, 1.0 Amps

- Electrical Protection:** NEMA 4X/IP65

Dimensions			
Connection	Hex ₁	l ₁	l ₂
Internal Thread	(inch)	(inch)	(inch)
1/4"	1.06"	0.39"	3.03"
3/8"	1.06"	0.39"	3.03"
1/2"	1.06"	0.39"	3.03"
3/4"	1.18"	0.59"	3.07"
1"	1.46"	0.39"	3.15"

TRS Series Ordering Codes

Housing Material	Fitting Type		Switchpoint	
	NPT Thread	BSP Thread	(contact opens above switchpoint)	
TRS-11.. = Brass TRS-12.. = SS	..N08.. = 1/4" NPT	..R08.. = 1/4" BSP	..010 = 10 C (50 F)	..060 = 60 C (140 F)
	..N10.. = 3/8" NPT	..R10.. = 3/8" BSP	..015 = 15 C (59 F)	..070 = 70 C (158 F)
	..N15.. = 1/2" NPT	..R15.. = 1/2" BSP	..020 = 20 C (68 F)	..080 = 80 C (176 F)
	..N20.. = 3/4" NPT	..R20.. = 3/4" BSP	..025 = 25 C (77 F)	..090 = 90 C (194 F)
	..N25.. = 1" NPT	..R25.. = 1" BSP	..030 = 30 C (86 F)	..100 = 100 C (212 F)
			..040 = 40 C (104 F)	..110 = 110 C (230 F)
			..045 = 45 C (113 F)	..120 = 120 C (248 F)

TRS-11N25010 Example TRS ordering code