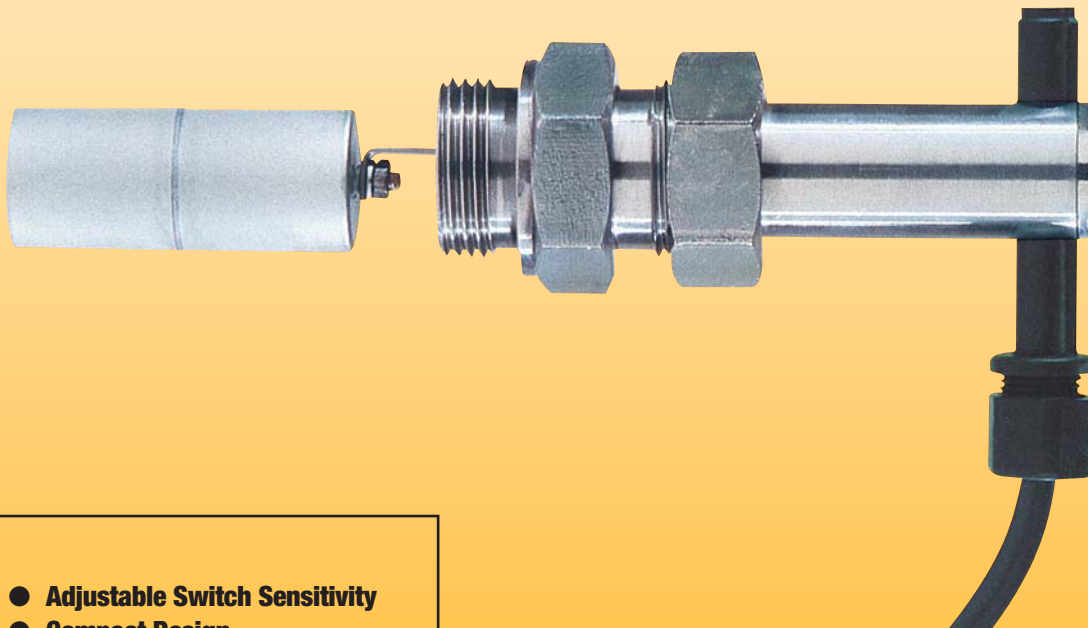


# NV LIQUID LEVEL SWITCH



Flow  
Pressure  
Level  
Temperature  
measurement  
monitoring  
control

N1



- Adjustable Switch Sensitivity
- Compact Design
- Brass or SS Construction
- Low Cost
- Maximum Pressure: 230 PSIG



## USA

KOBOLD Instruments Inc.  
1801 Parkway View Drive  
USA-Pittsburgh, PA 15205  
☎ +1 412-788-2830  
Fax +1 412-788-4890  
E-mail: info@koboldusa.com



## CANADA

KOBOLD Instruments Canada Inc.  
9A Aviation  
Pointe-Claire, QC H9R 4Z2  
☎ +1 514-428-8090  
Fax +1 514-428-8899  
E-mail: kobold@kobold.ca

Visit KOBOLD Online at  
[www.kobold.com](http://www.kobold.com)

Model:  
NV

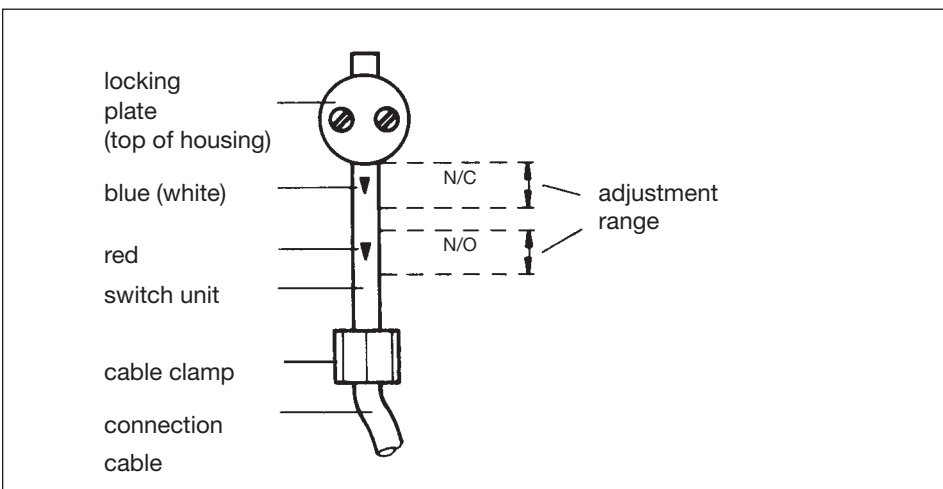
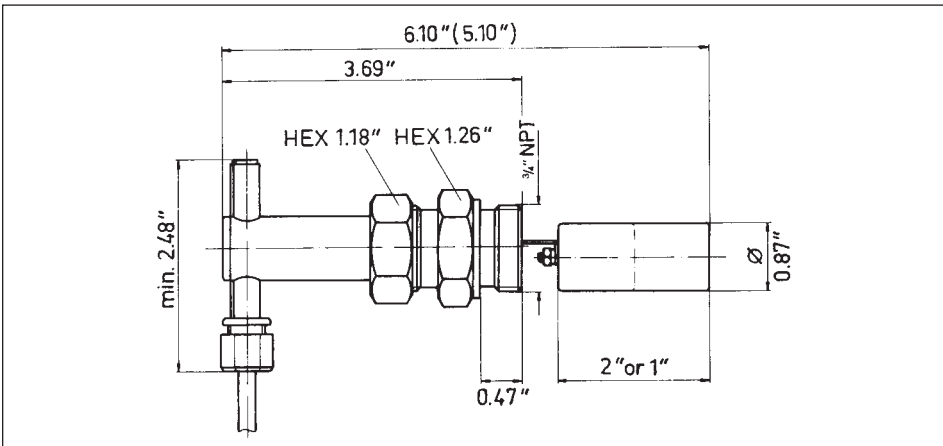


**Special Features**

- Adjustable Switch Sensitivity
- Compact Design
- Brass or SS Construction
- Low Cost
- Maximum Pressure: 230 PSIG

**Specifications**

- Max. Temperature:** -50°F to 230°F  
**Max. Pressure:** 230 PSIG  
**Connection:** 3/4" NPT  
**Materials:**  
 Housing: Brass or 304 SS  
 Float: 304 SS  
 Plate Spring: 304 SS  
 Sleeve: Brass or 304 SS  
 Switch Housing: Polyamid (Nylon)  
 Cable: PVC  
 O-Ring: Buna-N for brass units; Viton for SS units;  
**Contact:** Reed switch SPST, N/O or N/C  
**Max. Contact Ratings:** 50 VA, 50 Watts, 250 VAC, 1.5 A  
**Standard Cable Length:** 5 ft.  
**Protection:** NEMA 4/IP65



min. Fluid Density =  
 1" Float= 0.72 gm/cc  
 2" Float= 0.63 gm/cc

Kobold NV liquid level switches may be installed wherever a reasonably priced compact device is required for monitoring liquid levels. A cylindrical stainless steel float is located at one end of a horizontal balance arm. The float moves up and down with the liquid level. The float movements are transmitted through the balance arm to a permanent magnet at the opposite end. The magnet actuates a reed contact located within a moveable housing.

The reed contact switches on or off depending on the position of the permanent magnet and the switch housing. The reed switch is set as a normally open (N/O) contact at the factory, i.e., the contact closes as the liquid level rises. The switching function can be changed to normally closed (N/C) by moving the reed switch housing. Additionally, the switch sensitivity is adjustable so the effects of turbulence are minimized.

**Order Numbers for Standard Types**

Float length	Brass type	SS type
1"	NV-5101	NV-5201
2"	NV-5103	NV-5203