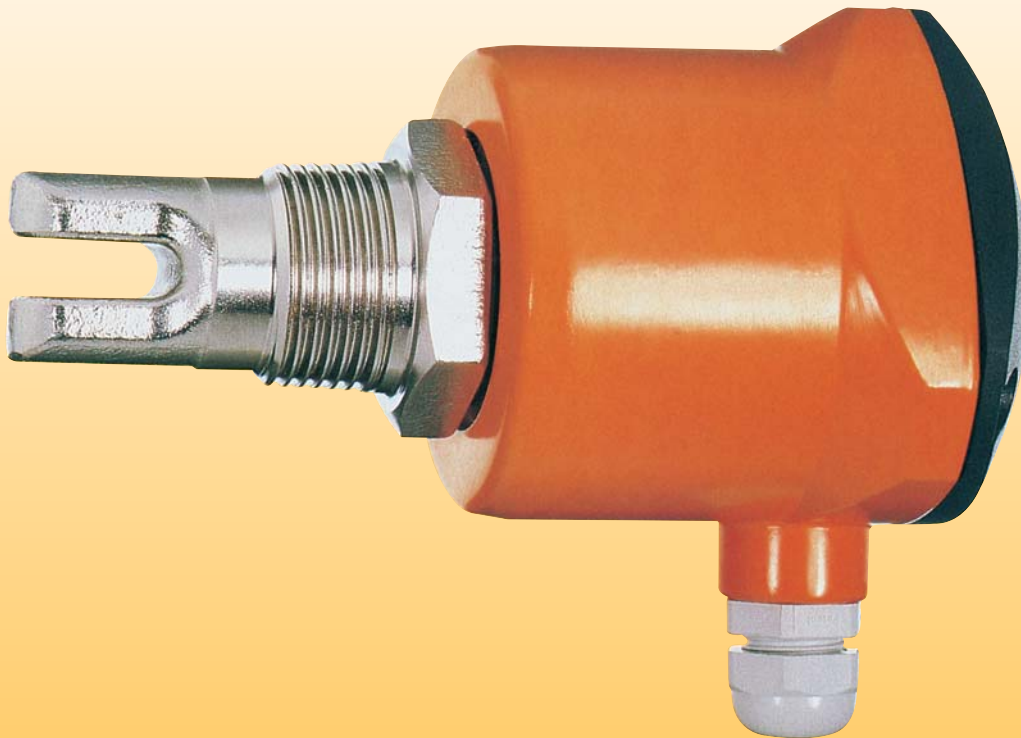


**NQ
LEVEL SWITCH**



Flow
Pressure
Level
Temperature
measurement
monitoring
control

N1



- **2 Wire Interface**
- **SS Sensor**
- **No Moving Parts**
- **Position Independent**
- **Visible Switch Condition**
- **User Selectable Switch Logic**
- **Good to 270 °F**
- **NEMA 4X**



USA

KOBOLD Instruments Inc.
1801 Parkway View Drive
USA-Pittsburgh, PA 15205
☎ +1 412-788-2830
Fax +1 412-788-4890
E-mail: info@koboldusa.com



CANADA

KOBOLD Instruments Canada Inc.
9A Aviation
Pointe-Claire, QC H9R 4Z2
☎ +1 514-428-8090
Fax +1 514-428-8899
E-mail: kobold@kobold.ca

Visit KOBOLD Online at
www.kobold.com

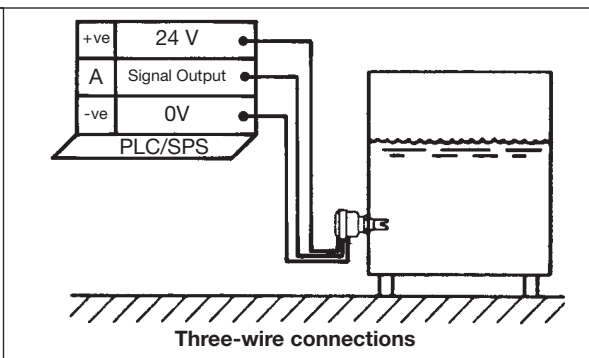
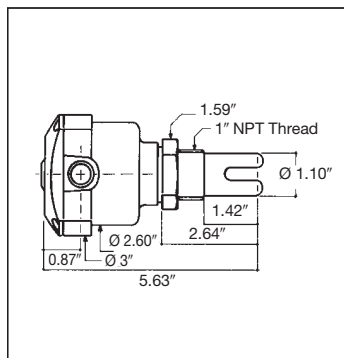
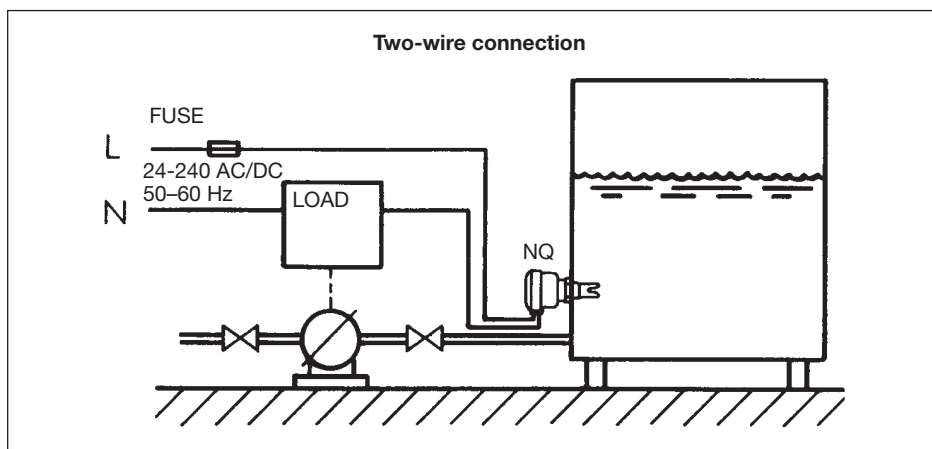
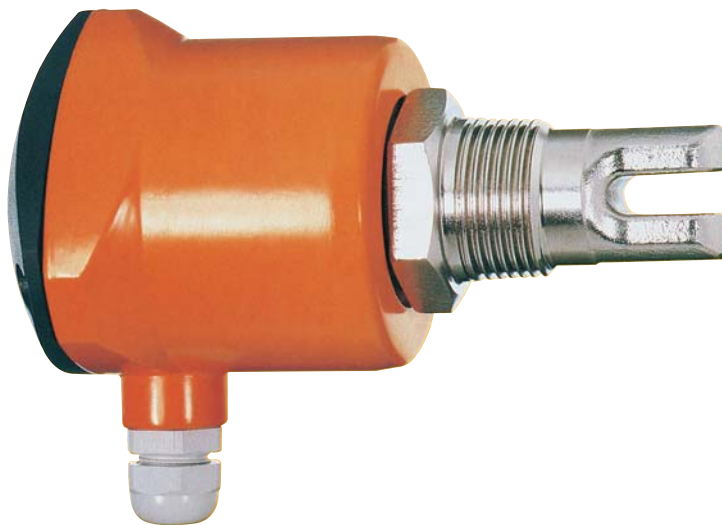
Model:
NQ

Kobold's NQ is a compact, ultrasonic level switch which activates when immersed in liquid. Its short intrusion length (1.42") makes it the right choice for applications in which container size is limited.

The NQ may be installed either as two or three wire controller. Voltages ranging from 24 to 240 VAC/VDC, 50/60 Hz may be controlled in the two wire configuration.

Glass fibre reinforced nylon and 316 SS construction (in a NEMA 4X housing, of course!) make the NQ a tough performer in industrial applications.

Extended probe lengths are available. Consult your KOBOLD Representative.



Specifications

Power Requirements

- Two-wire:** 24 to 240VAC/VDC, 50/60 Hz
- Three-wire:** 24VDC, 50/60 Hz

Electrical Characteristics

- 2-wire Hook-up Solid State**
 - Supply/Switch:** 24-240 VDC/VAC
 - ON Current:** 500 mA max.
 - OFF Current:** 2-7.5 mA
- 3-wire Hook-up Solid State**
 - Supply:** 24 VDC
 - Signal:** 18 VDC
 - Voltage Drop:** 4.5 V @ 500 mA
10 V @ 7.5 mA

- Leakage Current:** 2 mA (switch off)
- Protection:** NEMA 4X/IP65

Switching Delays

- Wet to Dry:** 500 ms
- Dry to Wet:** 50 ms

Operation Conditions

- Maximum Liquid Temperature:** -40°F to +270°F
- Maximum Ambient Temperature:**
 - +160°F with 210°F Fluid
 - +120°F with 270°F Fluid
- Maximum Operating Pressure:**
 - 1000 PSIG @ -40°F to 120°F
 - 760 PSIG @ -40°F to 270°F
- Weight:** 0.95 lbs.

Ordering Data	
Part Number	Description
NQ-2000	Ultrasonic Level Switch
Option "EP"	Custom Insertion Depth